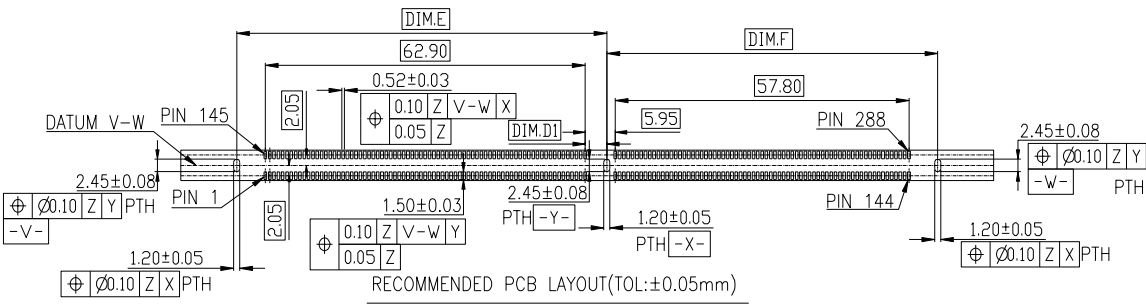
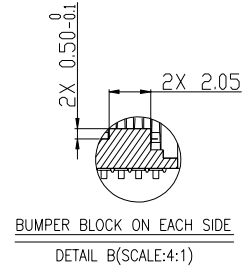
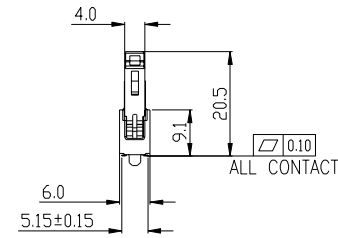
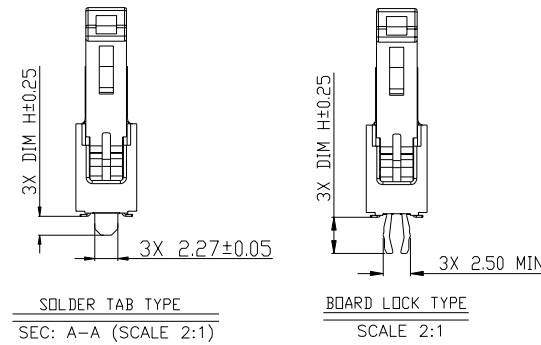
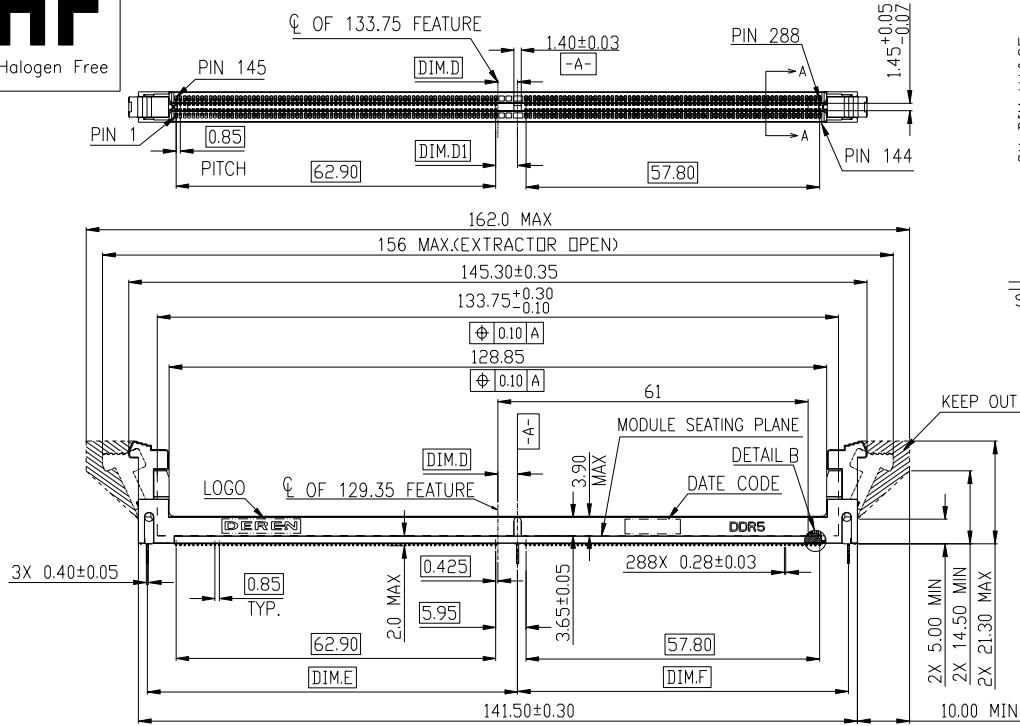
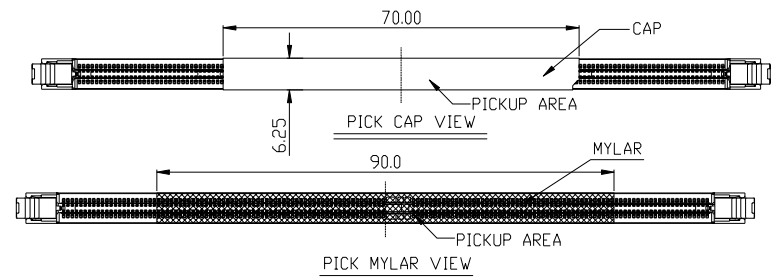


HF
Halogen Free

| REV | ECN NO. | LOCATION | DESCRIPTION | DATE | DESIGN |
|-----|---------|----------|-------------|---------|--------|
| A | | | UPDATE | 1/28'21 | ZC.Xie |



NOTES:
Recommended stencil thickness no less than 0.15mm



- NOTES:
- PRODUCT MUST MEET CONTROLLED SUBSTANCES SPEC. ROHS 2.0
 - MATERIAL:
 - HOUSING: NYLON , UL94V-0; COLOR: SEE P/N INFORMATION.
 - EXTRACTOR: NYLON ,UL94V-0; COLOR: SEE P/N INFORMATION.
 - CONTACT: COPPER ALLOY .
 - FORK LOCK: STAINLESS STEEL.
 - FINISH:
 - CONTACT:
 - GOLD PLATING(SEE SEE P/N INFORMATION.) ON CONTACT AREA. 2.0um[80u"] MIN. MATTE-TIN PALTING ON SOLDER TAIL AREA.
 - 2.25um[90u"] MIN. NICKEL ON CONTACT AREA, 1.27um[50u"] MIN. NICKEL ON OTHER AREA.
 - FORK LOCK:
 - MATTE TIN PALTING 80u"Min ON SOLDER TAIL AREA. 50u" MIN. NICKEL UNDERPLATING OVERALL.
 - REFLOW SOLDER CAPABLE TO 260°C MAX. 10S.
 - MECHANICAL SPECIFICATION:
 - MATING FORCE: 106.8N MAX.
 - UNMATING FORCE: 19.77N MINIMUM
 - DURABILITY: 25 MATING AND UNMATING CYCLES
 - ELECTRICAL SPECIFICATION
 - CONTACT RESISTANCE: INITIAL:40 MILLIOHMS MAX., CONTACT RESISTANCE: FINAL: CHANGE 20 MILLIOHMS MAX..
 - CURRENT RATING: 0.75AMPS MAX.
 - INSULATION RESISTANCE: 1 MEGOHMS MIN. AT 500VAC
 - DIELECTRIC WITHSTAND VOLTAGE: 500VAC MIN. FOR ONE MINUTE.
 - ENVIRONMENT SPECIFICATION
 - OPERATING TEMPERATURE: -55°C TO +85°C.
 - SOLDERABILITY: PASSED PER EIA-364-52, CLASS 2, CATEGORY 3.
 - VIBRATION: PASSED PER EIA-364-28.
 - HUMIDITY: PASSED PER EIA-364-31.
 - THERMAL SHOCK: PASSED PER EIA-364-32.
 - MECHANICAL SHOCK: PASSED PER EIA-364-27.
 - PART NUMBER INFORMATION: 568QD1-005 H X X X X X
- GREEN CODE:
H: HALOGEN FREE
- PLATING CODE:
1:GOLD FLASH
2:GOLD 15u"
3:GOLD 30u"
- HOUSING COLOR CODE:
1: BLACK
2: WHITE
3: BLUE
- EXTRACTOR COLOR CODE:
1: BLACK
2: WHITE
3: BLUE
- PACKAGE & PICKUP CODE:
1: HARD TRAY PACKING,WITH CAP
2: HARD TRAY PACKING,WITHOUT CAP
3: HARD TRAY PACKING, WITH MYLAR
- FORK LOCK & DIMM TYPE CODE:
1: SOLDER TAB DIM.H=2.0mm, RDIMM
2: BOARD LOCK DIM.H=3.25mm, RDIMM
3: SOLDER TAB DIM.H=2.0mm, UDIMM
4: BOARD LOCK DIM.H=3.25mm, UDIMM
5: SOLDER TAB DIM.H=2.6mm, RDIMM
6: SOLDER TAB DIM.H=2.6mm, UDIMM

| DIMM TYPE | DIM.D | DIM.D1 | DIM.E | DIM.F |
|-----------|-------|--------|-------|-------|
| RDIMM | 3.875 | 4.30 | 72.85 | 65.10 |
| UDIMM | 1.425 | 1.85 | 70.40 | 67.55 |



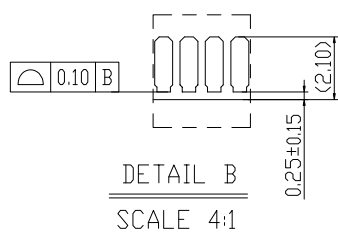
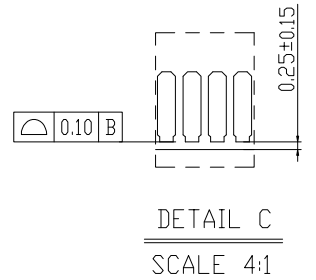
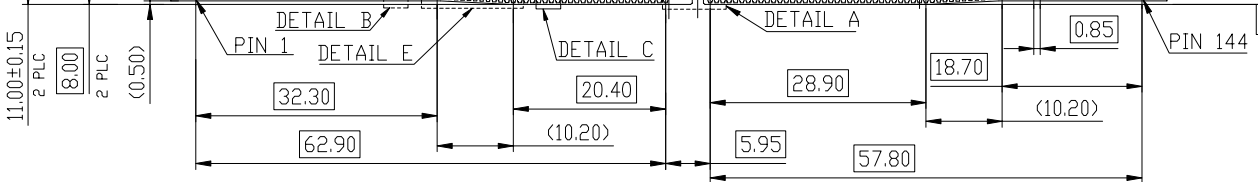
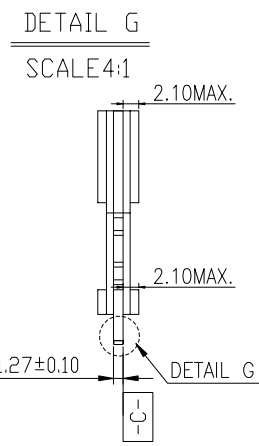
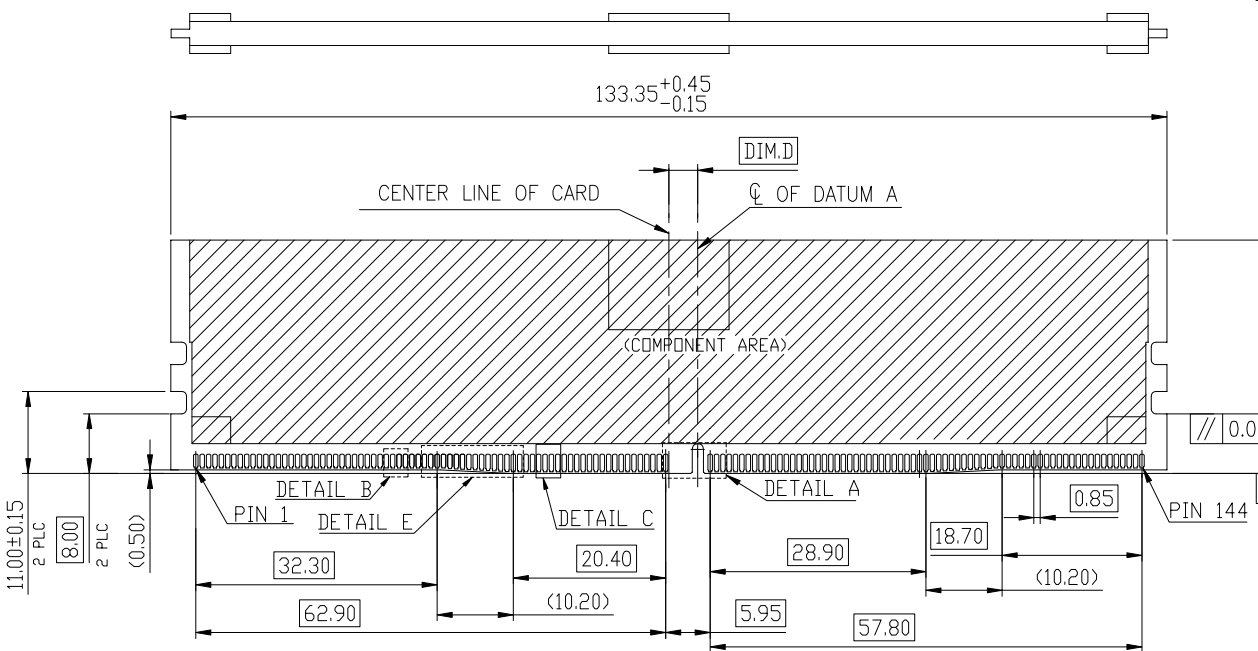
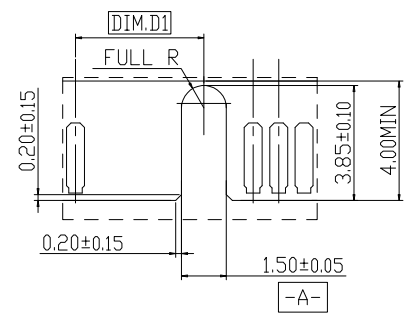
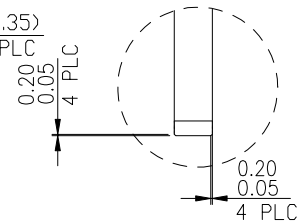
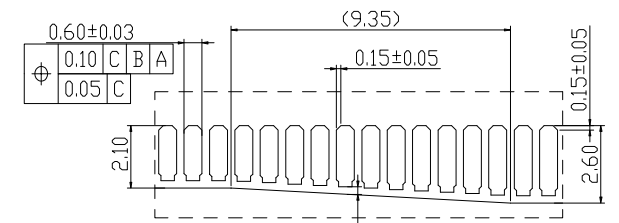
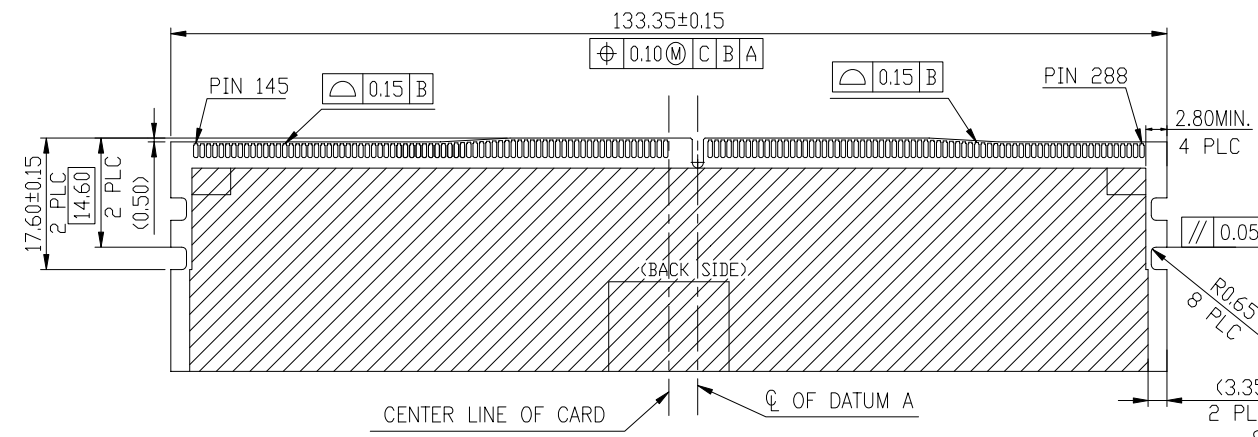
DEREN
SHENZHEN DEREN ELECTRONIC CO., LTD

| DIM | TOL | DIM | TOL |
|------|-------|-----|-----|
| x. | ±0.35 | x. | ±2" |
| .x | ±0.25 | .x | ±1" |
| .xx | ±0.20 | | |
| .xxx | ±0.15 | | |

| | | | |
|----------|-----------|-----------|-----------|
| DRAW NO. | SC2006320 | DATE | 08/14'20 |
| DESIGN: | Coy Zhao | CHECK: | Bill Lin |
| REV. | A | APPROVAL: | Smark Huo |

| | |
|--------|----------------------------|
| TITLE: | DDR5 288P NARROW EXTRACTOR |
| P/N: | SEE P/N INFORMATION |
| SHEET: | 1/3 |
| SCALE: | 1:1 |
| UNIT: | mm |

| REV. | ECN NO. | LOCATION | DESCRIPTION | DATE | DESIGN |
|------|---------|----------|-------------|---------|--------|
| A | | | UPDATE | 1/28'21 | ZC.Xie |



| DIMM TYPE | DIM.D | DIM.D1 | DIM.E | DIM.F |
|-----------|-------|--------|-------|-------|
| RDIMM | 3.875 | 4.30 | 72.85 | 65.10 |
| UDIMM | 1.425 | 1.85 | 70.40 | 67.55 |

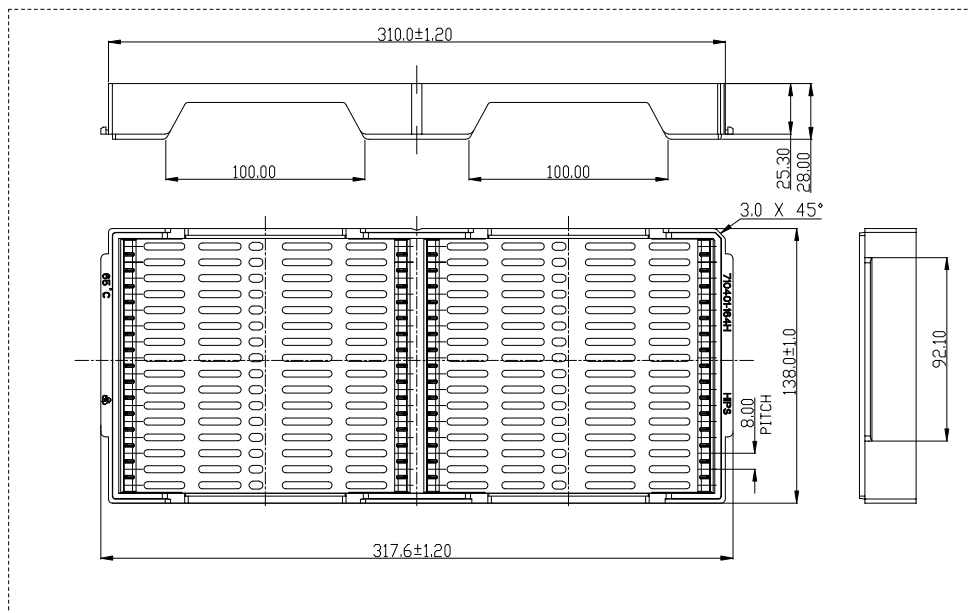
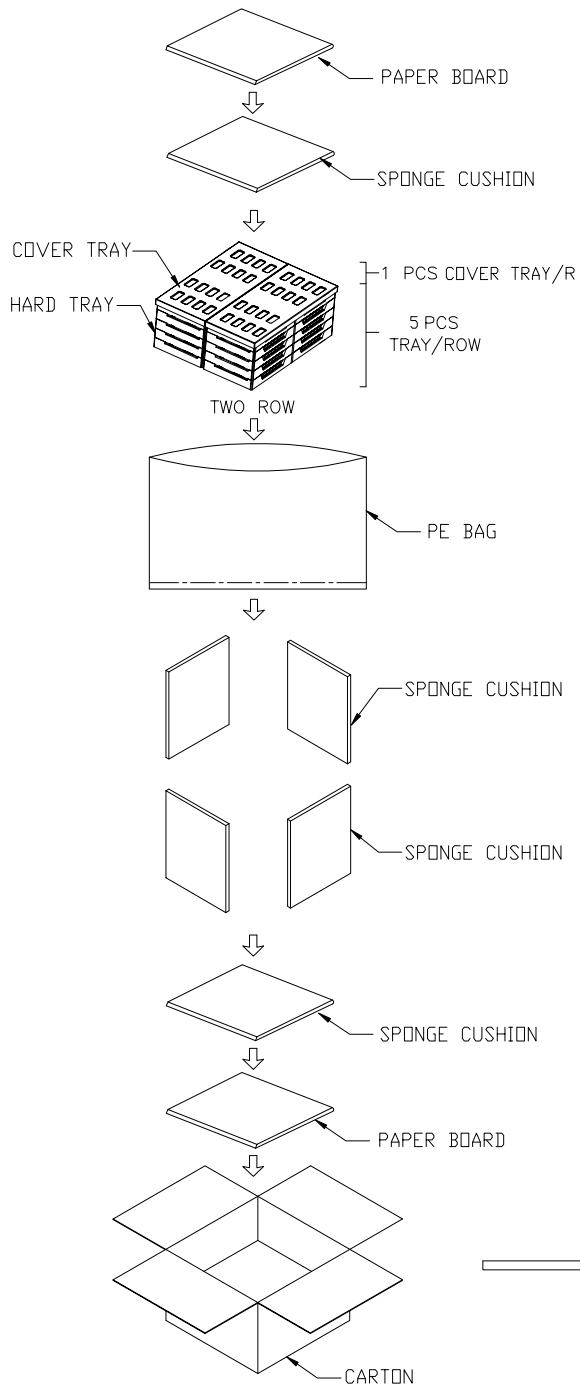


DEREN
SHENZHEN DEREN ELECTRONIC CO., LTD

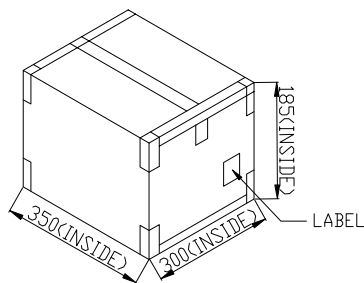
| DIM | TOL | DIM | TOL |
|------|-------|-----|-----|
| .x | ±0.35 | .x | ±2' |
| .x | ±0.25 | .x | ±1' |
| .xx | ±0.20 | | |
| .xxx | ±0.15 | | |

| | | | |
|-----------|-----------|----------|----------------------------|
| DRAW NO. | DESIGN: | DATE: | TITLE: |
| SC2006520 | Cay Zhao | 08/14'20 | DDR5 288P NARROW EXTRACTOR |
| REV. A | CHECK: | | P/N: SEE P/N INFORMATION |
| | Bill Lin | 08/14'20 | SHEET: 2/3 |
| | APPROVAL: | 08/14'20 | SCALE: 1:1 |
| | Smak Huo | | UNIT: mm |

| REV. | ECN NO. | LOCATION | DESCRIPTION | DATE | DESIGN |
|------|---------|----------|-------------|---------|--------|
| A | | | UPDATE | 1/28'21 | ZC.Xie |



HARD TRAY VIEW



| | | | | |
|--------------|------------|-----------|-----------|----------|
| 4.52kg | 2.03kg | 32 | 10 | 320 |
| GROSS WEIGHT | NET WEIGHT | PCS/ TRAY | TRAY/ BOX | PCS/ BOX |

| DIM | TOL | DIM | TOL |
|-----|-------|-----|-----|
| X. | ±1.00 | X. | |
| .X | ±0.50 | .X | |
| .XX | ±0.35 | | |



DEREN
SHENZHEN DEREN ELECTRONIC CO., LTD

DRAW NO.
SC2006320

REV. A

| CUSTOMER | DRAWING | DATE |
|-----------|----------|----------|
| DESIGN: | Cay Zhao | 08/14'20 |
| CHECK: | Bill Lin | 08/14'20 |
| APPROVAL: | Bill Lin | 08/14'20 |

TITLE: DDR5 288P SMT
NARROW EXTRACTOR

P/N: SEE P/N INFORMATION

| | | |
|--------|-----|----------|
| SHEET: | 3/3 | |
| SCALE: | 1:1 | UNIT: mm |