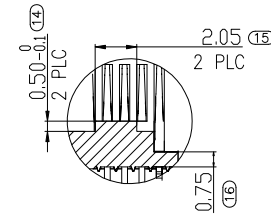
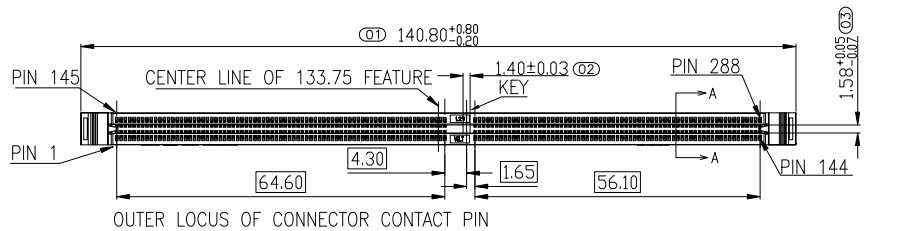
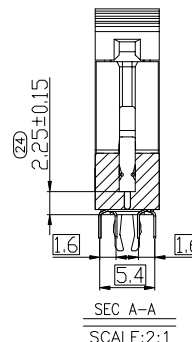
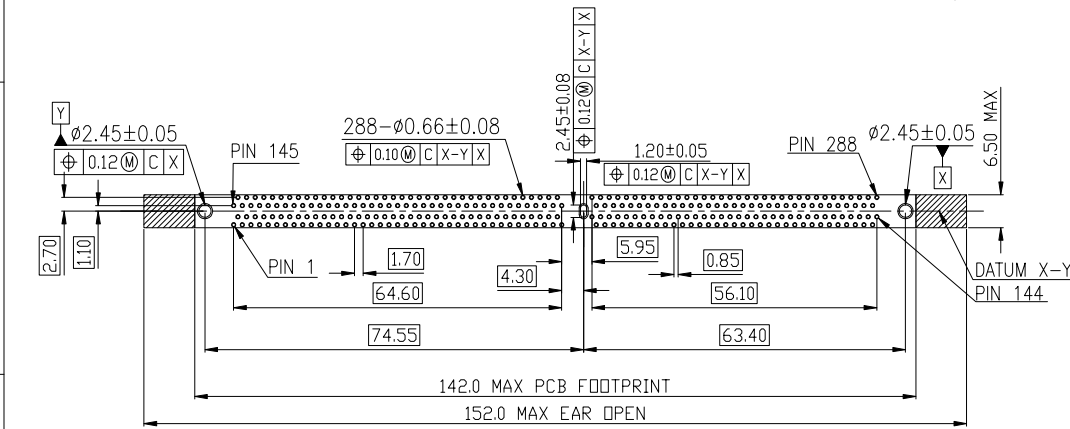
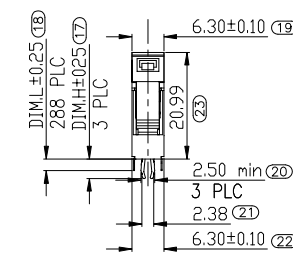
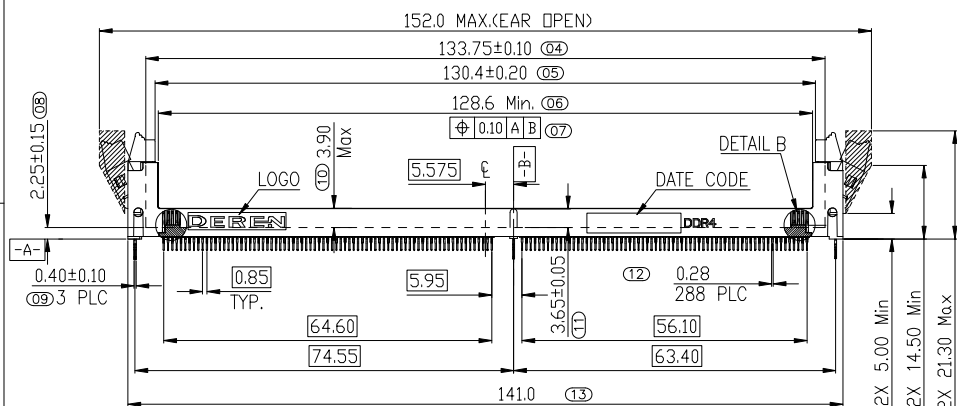


PART NUMBER	DIM.L CONTACT TAIL	DIM.H BOARD LOCK	DIM.G PCB
40-42344-2880*****	2.10±0.25	3.57±0.25	(1.40 or 1.60)
40-42344-2881*****	2.40±0.25	3.57±0.25	1.60
40-42344-2882*****	2.70±0.25	3.57±0.25	1.60
40-42344-2883*****	3.10±0.25	3.85±0.25	2.40

REV.	ECN NO.	LOCATION	DESCRIPTION	DATE	DESIGN
A			INITIAL RELEASE	2014/10/16	CZH
B			UPDATE CUSTOMER DRAWING	2015/12/10	CZH
C			CHANGE EAR SHAPE	2016/1/14	CZH
D			CHANGE BOARD LOCK SPECIFICATE DRAWING	2016/5/19	CZH
E			UPDATE PART NUMBER INFORMATION	2016/5/23	CZH
F			UPDATE PART NUMBER INFORMATION	2017/6/05	Cay
G			UPDATE DIM. TOLERANCE	2018/04/18	Cay



DETAIL B SCALE:4:1
BUMPER BLOCK ON EACH SIDE



PIN NUMBER CODE:
288: 288 PINS

NOTES:

- PRODUCT MUST MEET CONTROLLED SUBSTANCES SPEC. ROHS 2.0
- MATERIAL:
 - HOUSING: HIGH TEMPERATURE NYLON ,UL94V-0; COLOR: SEE PART NUMBER INFORMATION.
 - EAR: HIGH TEMPERATURE NYLON ,UL94V-0;COLOR:SEE PART NUMBER INFORMATION.
 - CONTACT:COPPER ALLOY T=0.20.
 - BOARD LOCK: STEEL .
 - FINISH:
 - CONTACT:
 - GOLD PLATING(SEE PART NUMBER INFORMATION.) ON CONTACT AREA. 2.54um[100u"] MIN. MATTE-TIN PALTING ON SOLDER TAIL AREA. 2.25um[90u"] MIN. ON CONTACT AREA,1.27um[50u"] MIN. NICKEL ON OTHER AREA
 - WAVE SOLDER CAPABLE TO 260°C 10S.
 - MECHANICAL SPECIFICATION:
 - INSERTION FORCE: 10.89kg MAX.
 - WITHDRAW FORCE: 14 g MIN PER CONTACT PAIR
 - CONTACT RETENTION FORCE: 0.3kg MIN PER CONTACT
 - DURABILITY: 25MATING AND UNMATING CYCLES
 - INSERTION FORCE OF CONNECTOR INTO PCB (WITH THREE BOARD LOCKS): 7.65kg MAX.
 - ELECTRICAL SPECIFICATION
 - CONTACT RESISTANCE: INITIAL:10 MILLIOHMS MAX. ,FINAL 20 MILLIOHMS MAX.
 - AFTER FULL ENVIRONMENTAL TESTING
 - CURRENT RATING: 0.75AMPS MAX.
 - INSULATION RESISTANCE: 1 MEGOHMS MIN. AT 500VAC
 - DIELECTRIC WITHSTAND VOLTAGE: 500VAC MIN. FOR ONE MINUTE.
 - ENVIRONMENT SPECIFICATION
 - OPERATING TEMPERATURE: -44°C TO +85°C.
 - SOLDERABILITY: PASSED PER JESD22-B102, Condition C.
 - VIBRATION: PASSED PER EIA-364-28.
 - HUMIDITY: PASSED PER EIA-364-31.
 - THERMAL SHOCK: PASSED PER EIA-364-32.
 - MECHANICAL SHOCK: PASSED PER EIA-364-27.
 - PART NUMBER INFORMATION:

40-42344-288 X X X X X T X

 - HF: HALOGEN FREE DEFAULT: HALOGEN
 - PACKAGE CODE: T: SOFT TRAY PACKING
 - 1.NO LOGO 2. DEREN LOGO
 - PLATING CODE: 1: GOLD 1u"Min, 2: GOLD 15u", 3: GOLD 20u", 4: GOLD 30u"
 - EAR COLOR: 1:BLACK/U 3:BLUE, 2:WHITIE 4:GREEN (375C) 6:BLUE(287C)
 - HOUSING COLOR: 7:DARK GREY (431C)
 - TAIL LENGTH: 0:2.10 1:2.40, 2:2.70 3:3.10
 - 1:BLACK/U, 2:WHITE, 3:BLUE(284C), 4:BLUE(2935U), 5:GREEN(355C), 6:BLUE(287C), 7:DARK GREY (431C), 8:RED (186C), 9:GREEN (375C), 0:YELLOW (107C)



DEREN
SHENZHEN DEREN ELECTRONIC CO., LTD

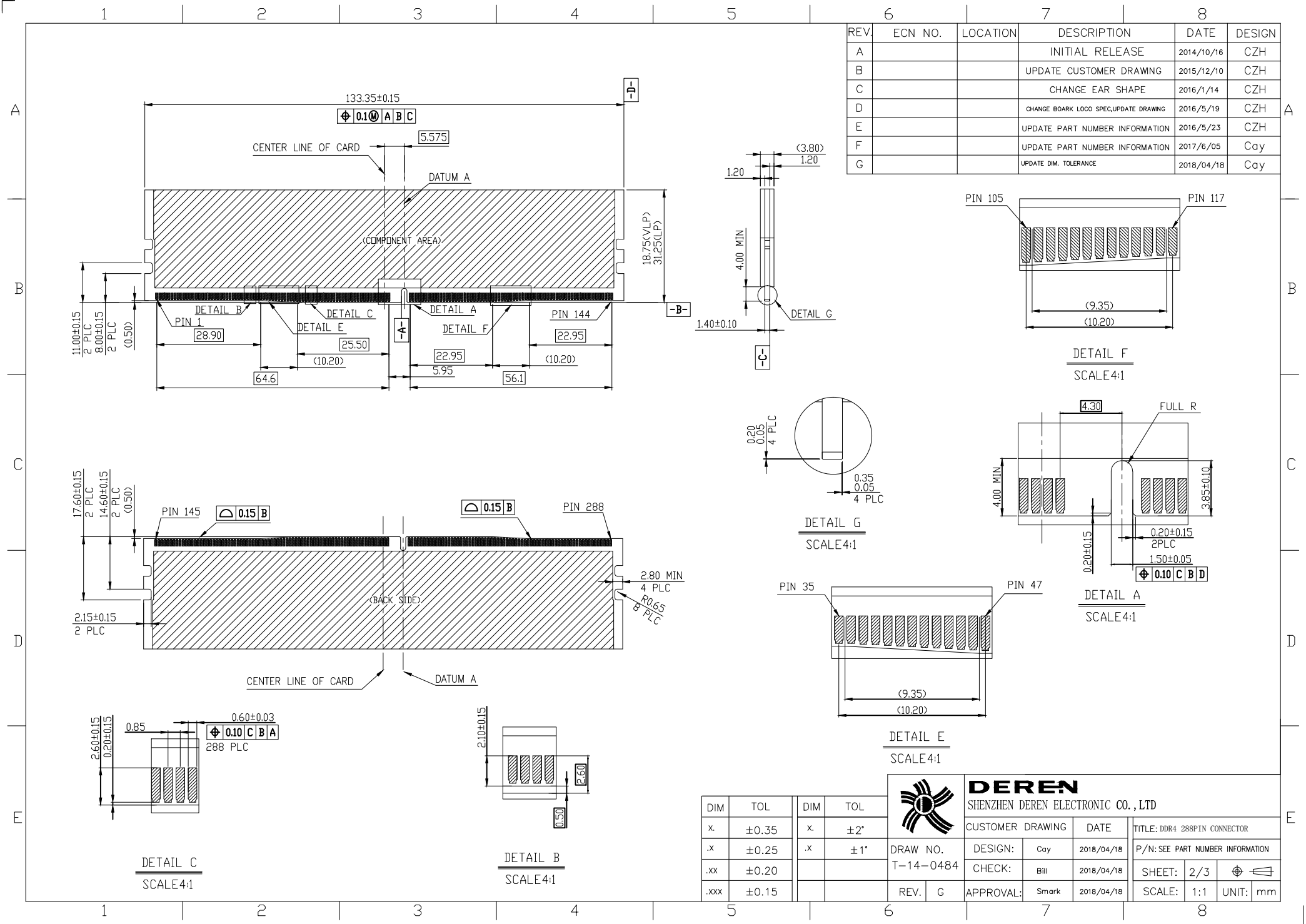
DIM	TOL	DIM	TOL
x.	±0.35	x.	±2*
.x	±0.25	.x	±1*
.xx	±0.20		
.xxx	±0.15		

DRAW NO. T-14-0484	DESIGN:	Cay	2018/04/18	TITLE: DDR4 288PIN CONNECTOR
	CHECK:	Bill	2018/04/18	
REV. G	APPROVAL:	Smark	2018/04/18	SHEET: 1/3
				SCALE: 1:1
				UNIT: mm

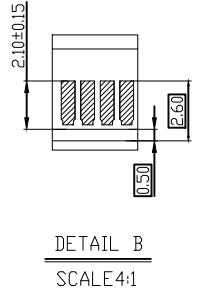
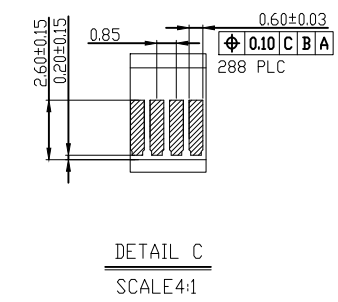
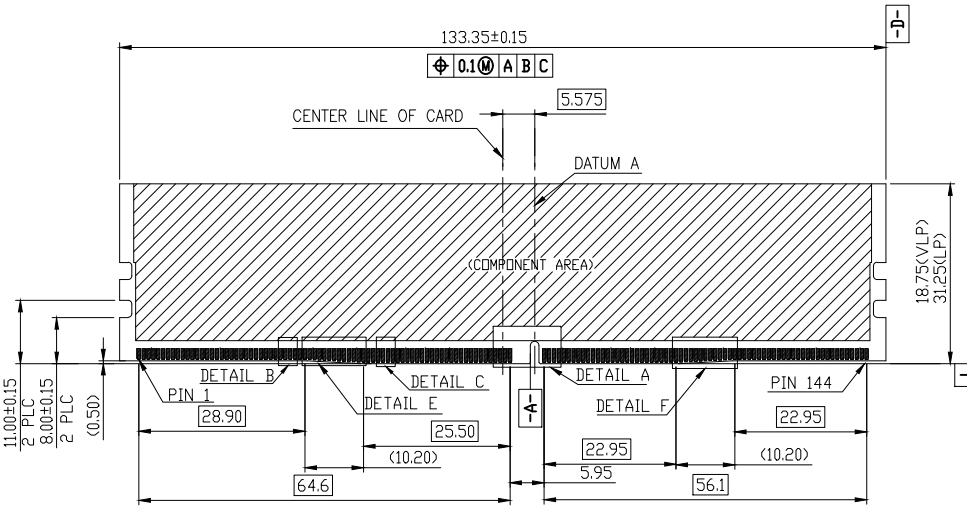
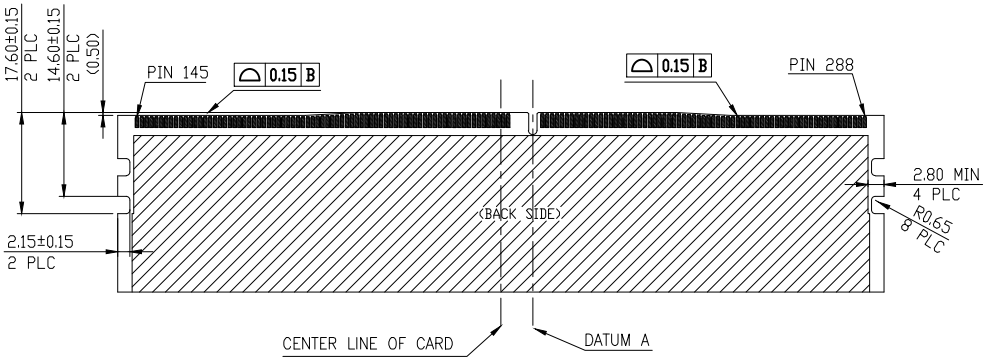
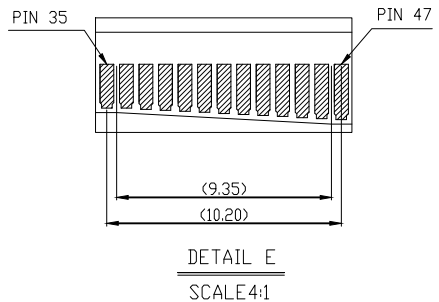
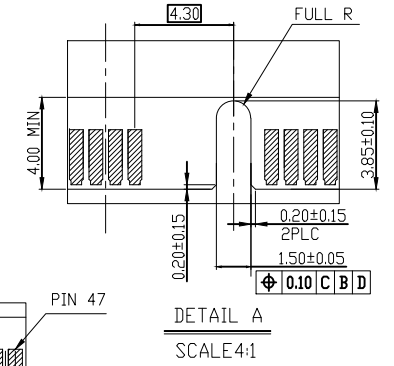
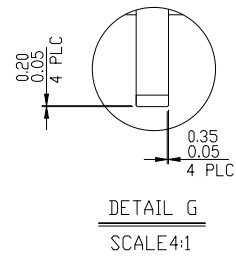
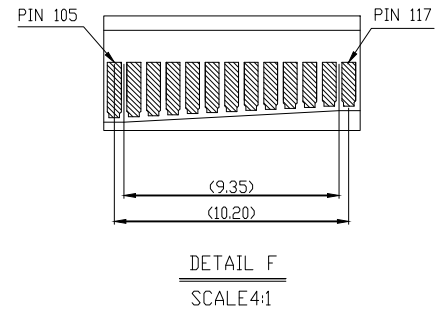
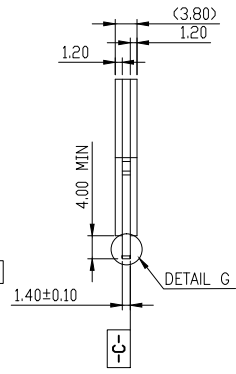
RECOMMENDED PCB LAYOUT&THICKNESS(CONNECTOR SIDE)(TOL:±0.05mm)

A
B
C
D
E

A
B
C
D
E



REV	ECN NO.	LOCATION	DESCRIPTION	DATE	DESIGN
A			INITIAL RELEASE	2014/10/16	CZH
B			UPDATE CUSTOMER DRAWING	2015/12/10	CZH
C			CHANGE EAR SHAPE	2016/1/14	CZH
D			CHANGE BOARD LOCO SPEC, UPDATE DRAWING	2016/5/19	CZH
E			UPDATE PART NUMBER INFORMATION	2016/5/23	CZH
F			UPDATE PART NUMBER INFORMATION	2017/6/05	Cay
G			UPDATE DIM. TOLERANCE	2018/04/18	Cay



DIM	TOL	DIM	TOL
.x	±0.35	.x	±2*
.x	±0.25	.x	±1*
.xx	±0.20		
.xxx	±0.15		

DEREN
SHENZHEN DEREN ELECTRONIC CO., LTD

CUSTOMER DRAWING: DATE: TITLE: DDR4 288PIN CONNECTOR

DESIGN: Cay DATE: 2018/04/18 P/N: SEE PART NUMBER INFORMATION

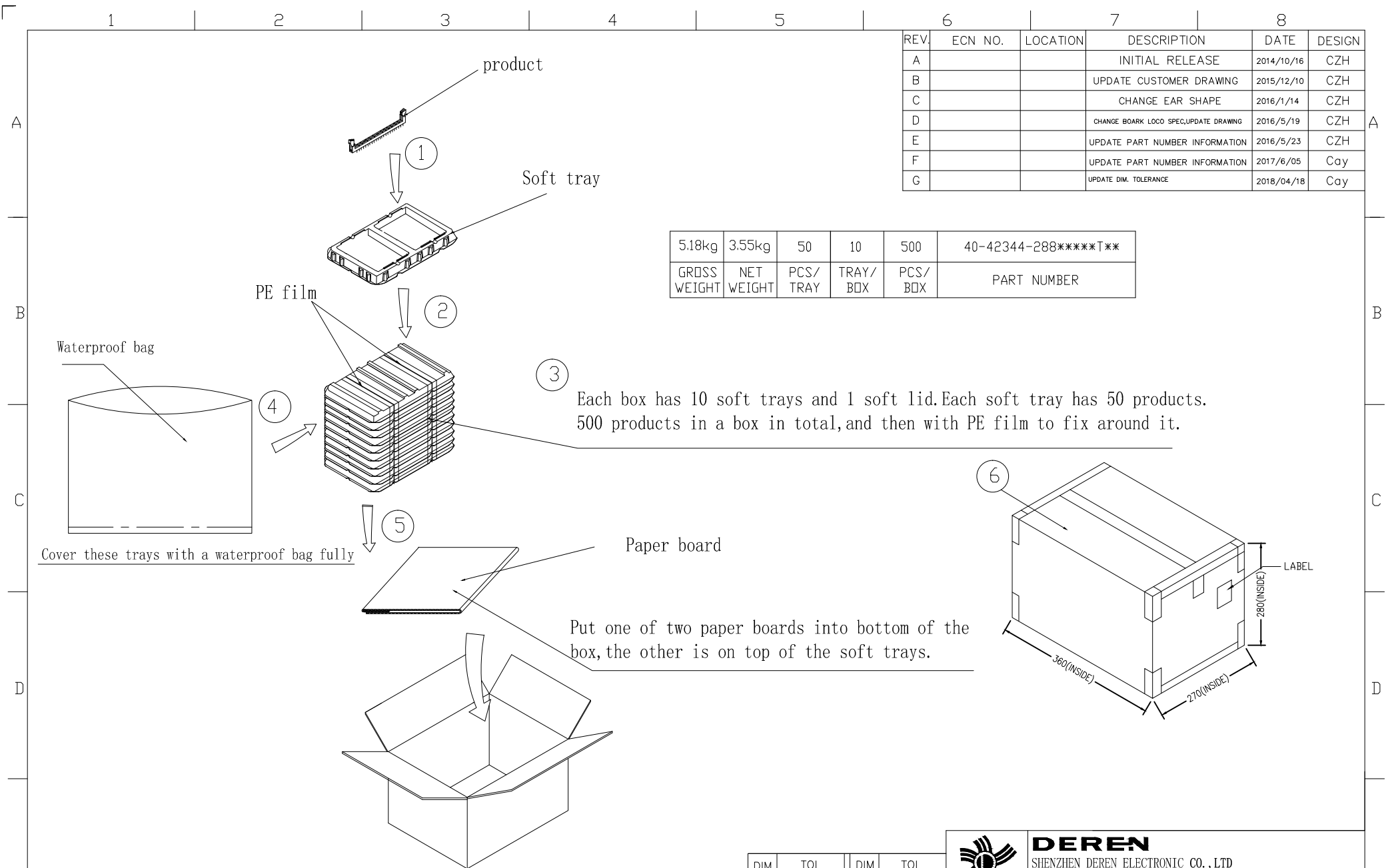
CHECK: Bill DATE: 2018/04/18 SHEET: 2/3

APPROVAL: Smark DATE: 2018/04/18 SCALE: 1:1 UNIT: mm

REV. G DRAW NO. T-14-0484

REV	ECN NO.	LOCATION	DESCRIPTION	DATE	DESIGN
A			INITIAL RELEASE	2014/10/16	CZH
B			UPDATE CUSTOMER DRAWING	2015/12/10	CZH
C			CHANGE EAR SHAPE	2016/1/14	CZH
D			CHANGE BOARK LOCO SPEC,UPDATE DRAWING	2016/5/19	CZH
E			UPDATE PART NUMBER INFORMATION	2016/5/23	CZH
F			UPDATE PART NUMBER INFORMATION	2017/6/05	Cay
G			UPDATE DIM. TOLERANCE	2018/04/18	Cay

5.18kg	3.55kg	50	10	500	40-42344-288*****T**
GROSS WEIGHT	NET WEIGHT	PCS/ TRAY	TRAY/ BOX	PCS/ BOX	PART NUMBER



DIM	TOL	DIM	TOL	DEREN SHENZHEN DEREN ELECTRONIC CO., LTD			
x.		x.		DRAW NO. T-14-0484	CUSTOMER DRAWING	DATE	TITLE: DDR 4 288PIN CONNECTOR
.x		.x			DESIGN: Cay	2018/04/18	P/N: SEE PART NUMBER INFORMATION
.xx					CHECK: Blll	2018/04/18	SHEET: 3/3
				REV. G	APPROVAL: Smark	2018/04/18	SCALE: 1:1 UNIT: mm