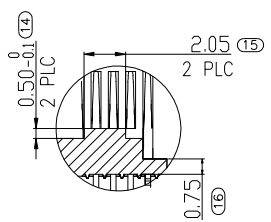
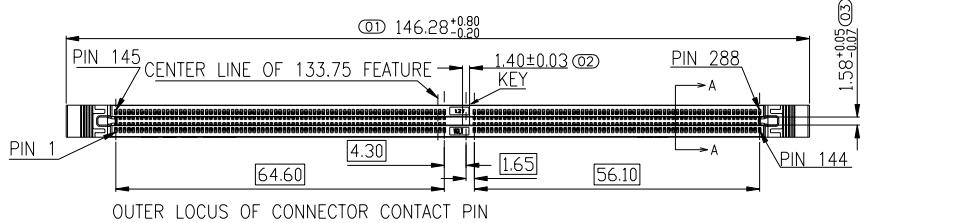
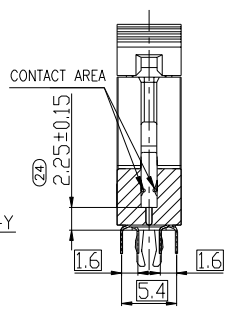
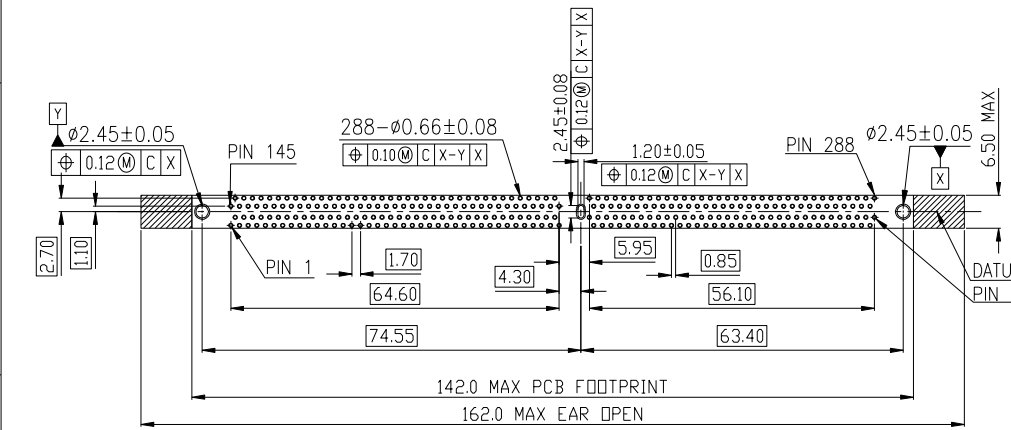
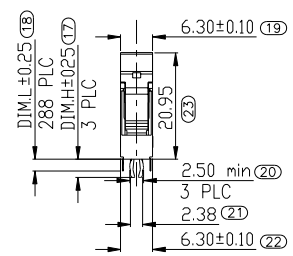
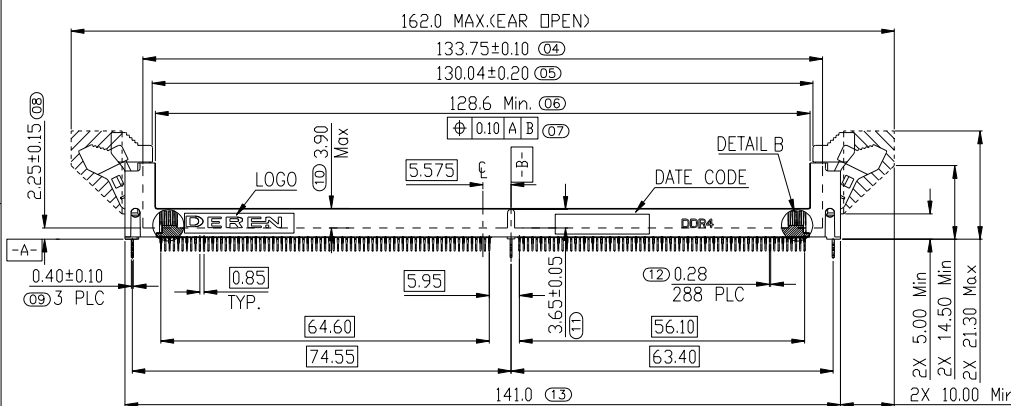


PART NUMBER	DIM.L CONTACT TAIL	DIM.H BOARD LOCK	DIM.G PCB
40-42181-2880*****	2.10±0.25	3.57±0.25	(1.40 or 1.60)
40-42181-2881*****	2.40±0.25	3.57±0.25	1.60
40-42181-2882*****	2.70±0.25	3.57±0.25	1.60
40-42181-2883*****	3.10±0.25	3.85±0.25	2.40

REV	ECN NO.	LOCATION	DESCRIPTION	DATE	DESIGN
A			INITIAL RELEASE	2014/05/14	Hejunfeng
B	RD-EA-13-0319		ADD REV P/N	2013/10/29	Hejunfeng
C	RD-EA-14-0250		MODIFY STRUCTURE	2014/06/04	Hejunfeng
D	RD-EA-14-0479		ADD TAIL "4.40" DIM., MODIFY DIMENSION, 6.40mm	2014/10/08	Hejunfeng
E	RD-EA-15-1045		UPDATE CUSTOMER DRAWING	2015/12/08	CZH
F	RD-EA-16-0095		ADD HOUSING COLOR	2016/03/11	CZH
G	RD-EA-16-0096		ADD HSG COLOR AND TRAY INF.	2016/10/08	ZOW



DETAIL B SCALE:4:1
BUMPER BLOCK ON EACH SIDE



SEC A-A
SCALE:2:1
PIN NUMBER CODE:
288: 288 PINS

NOTES:

- PRODUCT MUST MEET CONTROLLED SUBSTANCES SPEC. ROHS 2.0
- MATERIAL:
 - HOUSING:HIGH TEMPERATURE THERMOPLASTIC, UL94V-0; COLOR: SEE PART NUMBER INFORMATION.
 - EAR:HIGH TEMPERATURE THERMOPLASTIC, UL94V-0;COLOR:SEE PART NUMBER INFORMATION.
 - CONTACT:COPPER ALLOY .
 - BOARD LOCK: STEEL .
 - FINISH:
 - CONTACT:
 - GOLD PLATING(SEE PART NUMBER INFORMATION.) ON CONTACT AREA.
 - 2.03um[80u"] MIN. MATTE-TIN PALTING ON SOLDER TAIL AREA.
 - 2.25um[90u"] MIN. NICKEL ON CONTACT AREA,1.27um[50u"] MIN. ON OTHER AREA
 - REFLOW SOLDER CAPABLE TO 260°C MAX..
 - MECHANICAL SPECIFICATION:
 - INSERTION FORCE: 10.89kg MAX.
 - WITHDRAW FORCE: 14 g MIN PER CONTACT PAIR
 - CONTACT RETENTION FORCE: 0.3kg MIN PER CONTACT
 - DURABILITY: 25MATING AND UNMATING CYCLES
 - INSERTION FORCE OF CONNECTOR INTO PCB (WITH THREE BOARD LOCKS): 7.65kg MAX.
 - ELECTRICAL SPECIFICATION
 - CONTACT RESISTANCE: INITIAL:10 MILLIOHMS MAX. ,FINAL 20 MILLIOHMS MAX.
 - AFTER FULL ENVIRONMENTAL TESTING
 - CURRENT RATING: 0.75AMPS MAX.
 - INSULATION RESISTANCE: 1 MEGOHMS MIN. AT 500VAC
 - DIELECTRIC WITHSTAND VOLTAGE: 500VAC MIN. FOR ONE MINUTE.
 - ENVIRONMENT SPECIFICATION
 - OPERATING TEMPERATURE: -44°C TO +85°C.
 - SOLDERABILITY: PASSED PER JESD22-B102, Condition C.
 - VIBRATION: PASSED PER EIA-364-28.
 - HUMIDITY: PASSED PER EIA-364-31.
 - THERMAL SHOCK: PASSED PER EIA-364-32.
 - MECHANICAL SHOCK: PASSED PER EIA-364-27.
 - PART NUMBER INFORMATION:

40-42181-288 X X X X X I X

HF: HALOGEN FREE DEFAULT: HALOGEN
PACKAGE CODE: T: TRAY PACKING
1.NO LOGO 2. DEREN LOGO 3:TE LOGO

PLATING CODE: 1: GOLD 1u"Min
2: GOLD 15u"
3: GOLD 20u"
4: GOLD 30u"

EAR COLOR:1:BLACK/U 3:BLUE
2:WHITE 4:GREEN
5:GREY

HOUSING COLOR: _____

TAIL LENGTH:0:2.10 1:2.40
2:2.70 3:3.10

1:BLACK/U
2:WHITE
3:BLUE(284C)
4:BLUE(2935U)
5:GREEN
6:BLUE(287C)
7:DARK GREY (432U)
8:RED (186C)
9:GREEN (375C)
0:YELLOW (107C)

DIM	TOL	DIM	TOL
x.	±0.35	x.	±2"
.x	±0.25	.x	±1"
.xx	±0.20		
.xxx	±0.15		



CUSTOMER DRAWING		DATE		TITLE: DDR 4 288PIN CONNECTOR	
DESIGN:	Cay	2017/09/26		P/N: SEE PART NUMBER INFORMATION	
CHECK:	Bill	2017/09/26		SHEET:	1/3
APPROVAL:	Smark	2017/09/26		SCALE:	1:1
				UNIT:	mm

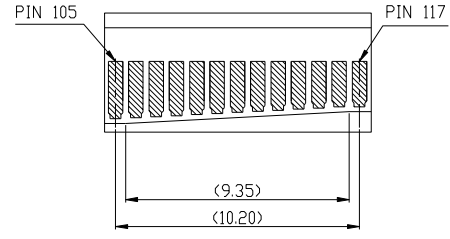
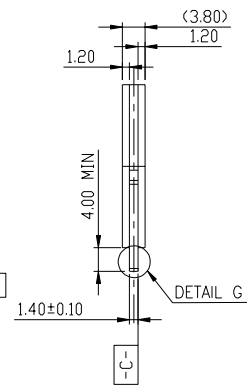
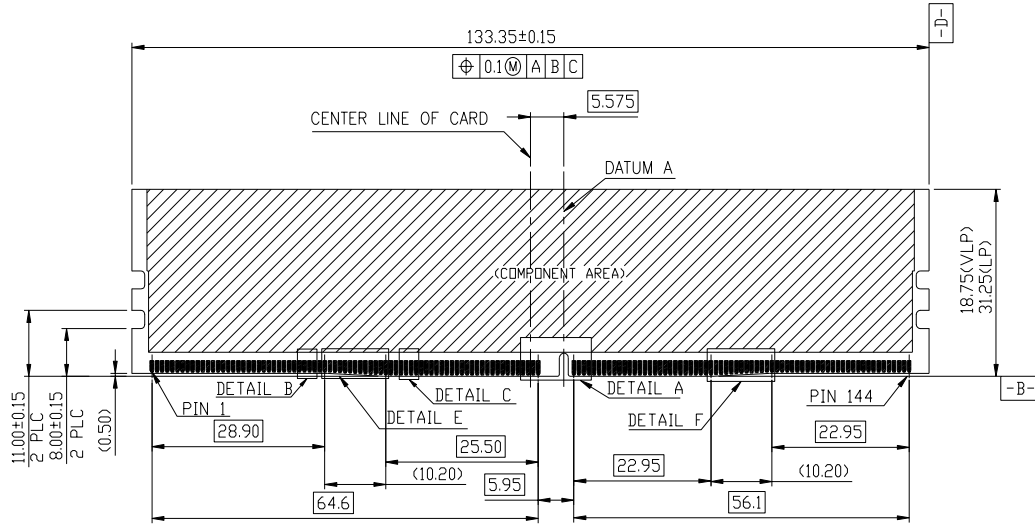
RECOMMENDED PCB LAYOUT&THICKNESS(CONNECTOR SIDE)(TOL:±0.05mm)

162.0 MAX

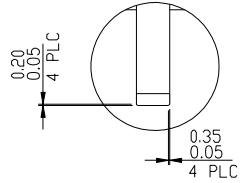
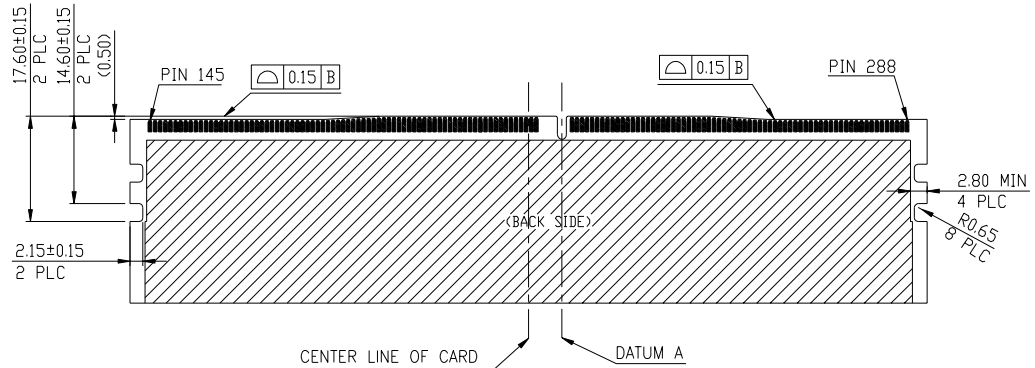
DRAW NO.
T-13-0440

REV. G

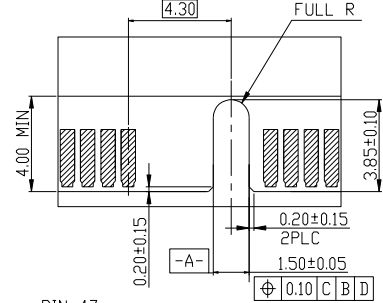
REV.	ECN NO.	LOCATION	DESCRIPTION	DATE	DESIGN
A			INITIAL RELEASE	2014/5/14	Heyunfeng
B	RD-EA-13-0319		ADD NEW P/N	2013/10/29	Heyunfeng
C	RD-EA-14-0250		MODIFY STRUCTURE	2014/06/04	Heyunfeng
D	RD-EA-14-0479		ADD NEW TAIL "L=2.4mm" TYPE, MODIFY DIMENSION, G.H AND H.W	2014/10/08	Heyunfeng
E	RD-EA-15-1045		UPDATE CUSTOMER DRAWING	2015/12/08	CZH
F	RD-EA-16-0095		ADD HOUSING COLOR	2016/03/11	CZH
G	RD-EA-16-0096		ADD HSG COLOR AND TRAY INF.	2016/10/08	ZOW



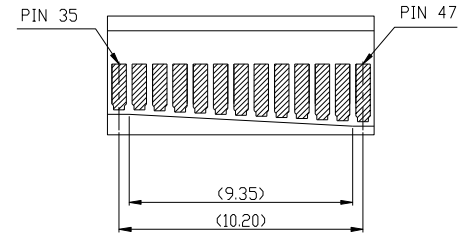
DETAIL F
SCALE 4:1



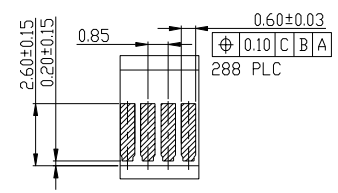
DETAIL G
SCALE 4:1



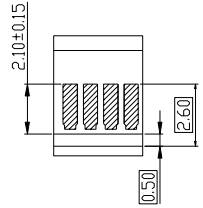
DETAIL A
SCALE 4:1



DETAIL E
SCALE 4:1



DETAIL C
SCALE 4:1



DETAIL B
SCALE 4:1

DIM	TOL	DIM	TOL
.x	±0.35	.x	±2*
.x	±0.25	.x	±1*
.xx	±0.20		
.xxx	±0.15		



DEREN
SHENZHEN DEREN ELECTRONIC CO., LTD

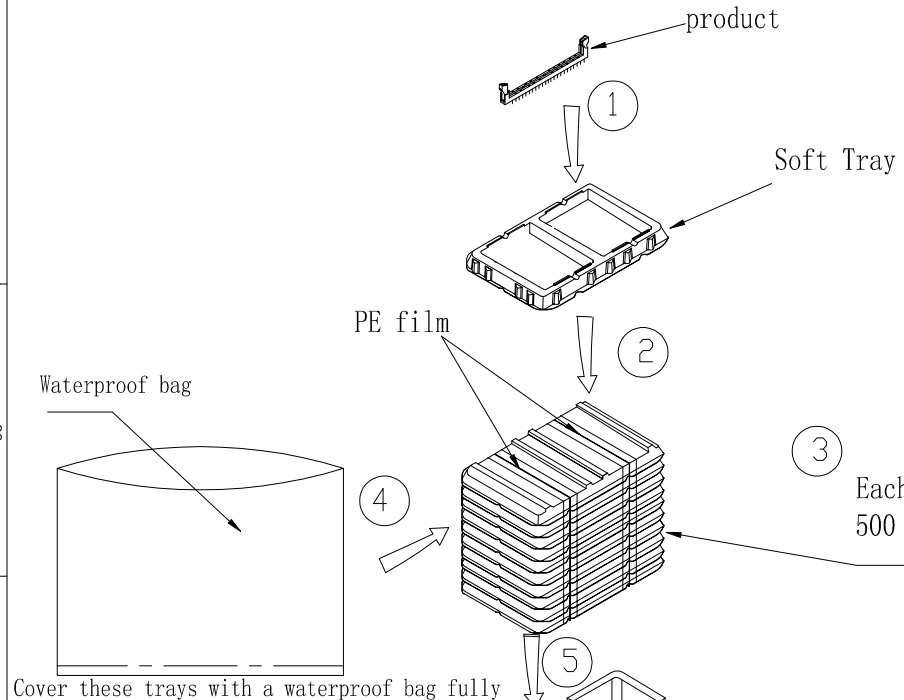
DRAW NO.
T-13-0440
REV. G

CUSTOMER DRAWING	DATE
DESIGN: Cay	2017/09/26
CHECK: Bill	2017/09/26
APPROVAL: Smark	2017/09/26

TITLE: DDR 4 288PIN CONNECTOR	
P/N: SEE PART NUMBER INFORMATION	
SHEET: 2/3	
SCALE: 1:1	UNIT: mm

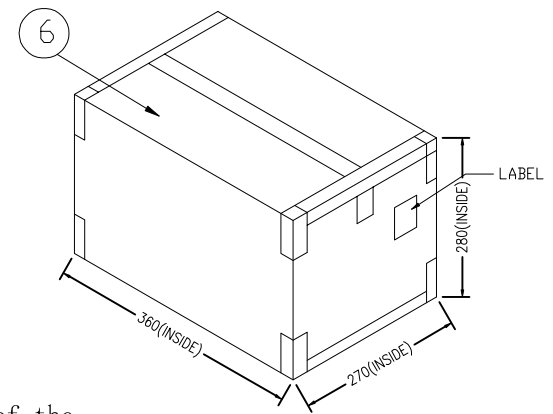
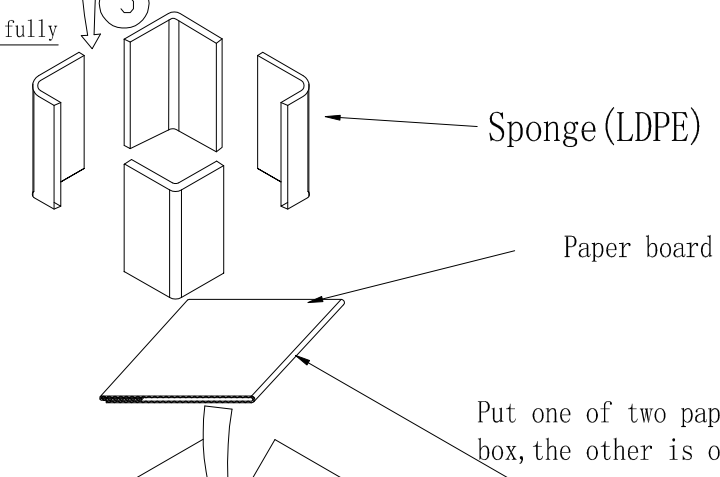
REV.	ECN NO.	LOCATION	DESCRIPTION	DATE	DESIGN
A			INITIAL RELEASE	2014/5/14	Heyunfeng
B	RD-EA-13-0319		ADD NEW P/N	2013/10/29	Heyunfeng
C	RD-EA-14-0250		MODIFY STRUCTURE	2014/06/04	Heyunfeng
D	RD-EA-14-0479		ADD NEW TAIL: "L=2.4mm" TYPE , MODIFY DIMENSION , G. W AND H. W	2014/10/08	Heyunfeng
E	RD-EA-15-1045		UPDATE CUSTOMER DRAWING	2015/12/08	CZH
F	RD-EA-16-0095		ADD HOUSING COLOR	2016/03/11	CZH
G	RD-EA-16-0096		ADD HSG COLOR AND TRAY INF.	2016/10/08	ZQW

5.4kg	3.5kg	50	10	500	40-42181-*****T**
GROSS WEIGHT	NET WEIGHT	PCS/ TRAY	TRAY/ BOX	PCS/ BOX	PART NUMBER

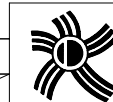


Each box has 10 soft trays and 1 soft lid. Each soft tray has 50 products. 500 products in a box in total, and then with PE film to fix around it.

Cover these trays with a waterproof bag fully



DIM	TOL	DIM	TOL
x.		x.	
.x		.x	
.xx			



DEREN
SHENZHEN DEREN ELECTRONIC CO., LTD

DRAW NO. T-13-0440	DESIGN: Cay	DATE 2017/09/26	TITLE: DDR 4 288PIN CONNECTOR
REV. G	CHECK: Bill	2017/09/26	P/N: SEE PART NUMBER INFORMATION
APPROVAL: Smark	2017/09/26	SHEET: 3/3	UNIT: mm
		SCALE: 1:1	