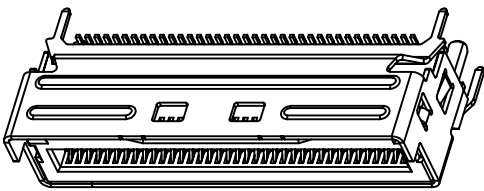
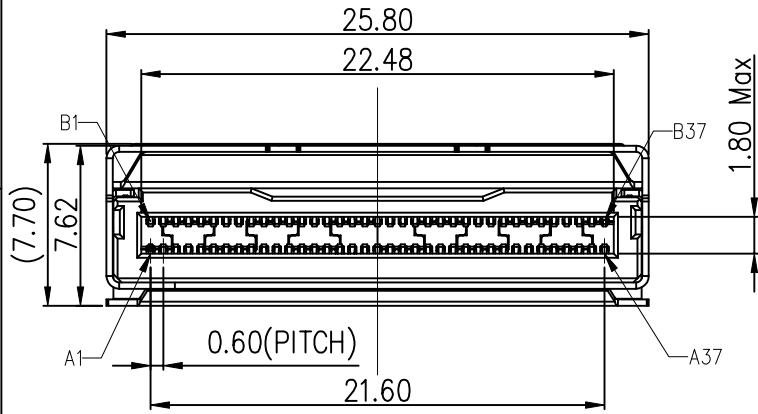


REV.	ECN NO.	LOCATION	DESCRIPTION	DATE	DESIGN
X1			INITIAL RELEASE	07/10'2022	Wilson



PART NAME:
56XXG5 - 001H * * * * *

NO OF PIN
28:74PIN

PACKING CODE: 1:TRAY
2:TAPE AND REEL

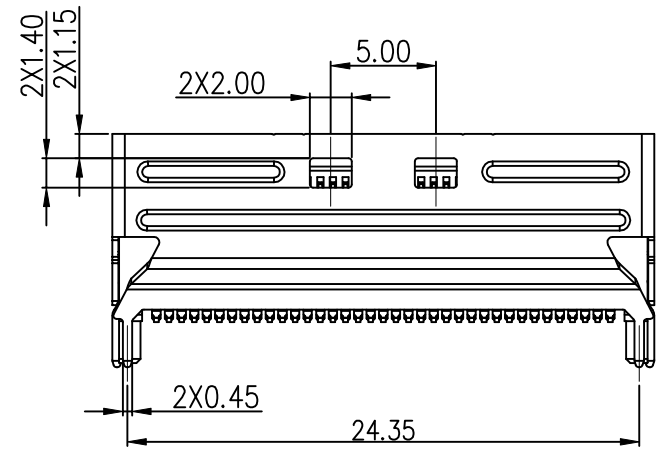
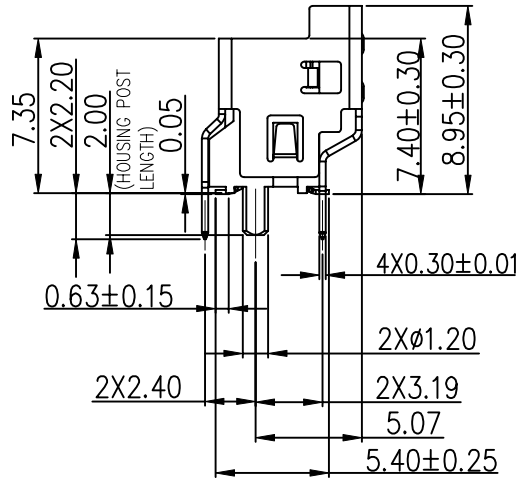
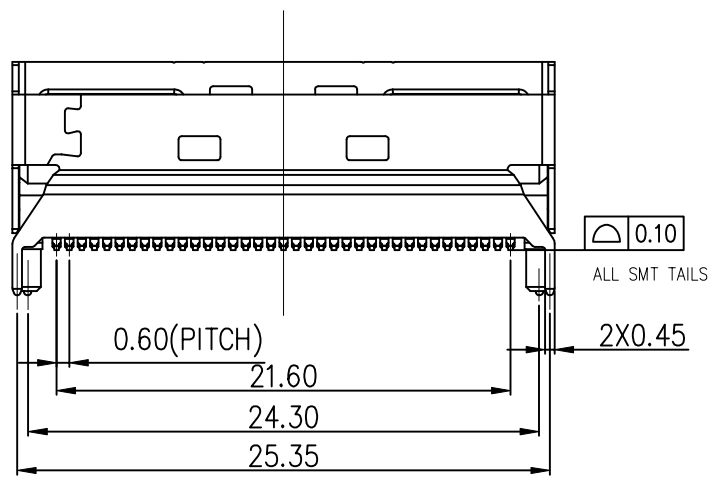
TYPE CODE: 0:VERTICAL
1:RIGHT ANGLE

SHELL TAIL LENGTH CODE: 1: 1.5mm
2: 2.2mm

RESERVE CODE: 0

PLATING CODE: 1: G/F
2: 15u" Min
3: 30u" Min

HALOGEN CODE: H: HALOGEN FREE



NOTES:

PRODUCT MEETS CONTROLLED SUBSTANCES SPEC. ROHS 2.0

1. MATERIALS:

- 1.1 PLASTICS:HIGH TEMPERATURE THERMOPLASTIC, UL94V-0 BLACK;
- 1.2 CONTACT:COOPER ALLOY
- 1.3 SHELL:STAINLESS.

2. FINISH:

- 2.1 CONTACT: GOLD PLATING(SEE PART NUMBER) ON CONTACT AREA.
2.54um[100u"] MIN. MATTE-TIN PLATING ON SOLDER TAIL AREA.
1.27um[50u"] MIN. NICKEL UNDERPLATING OVER ALL.
- 2.2 SHELL:1.27um[50u"] MIN. NICKEL UNDERPLATING OVER ALL.

DIM	TOL	DIM	TOL
.x	±0.30	x.	±2"
.xx	±0.20	.x	±1"
.xxx	±0.10		

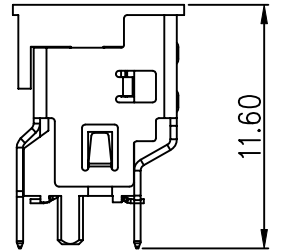
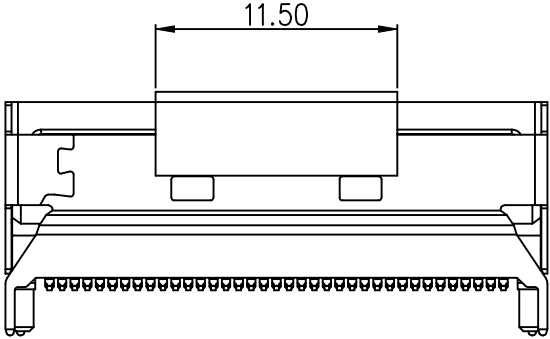
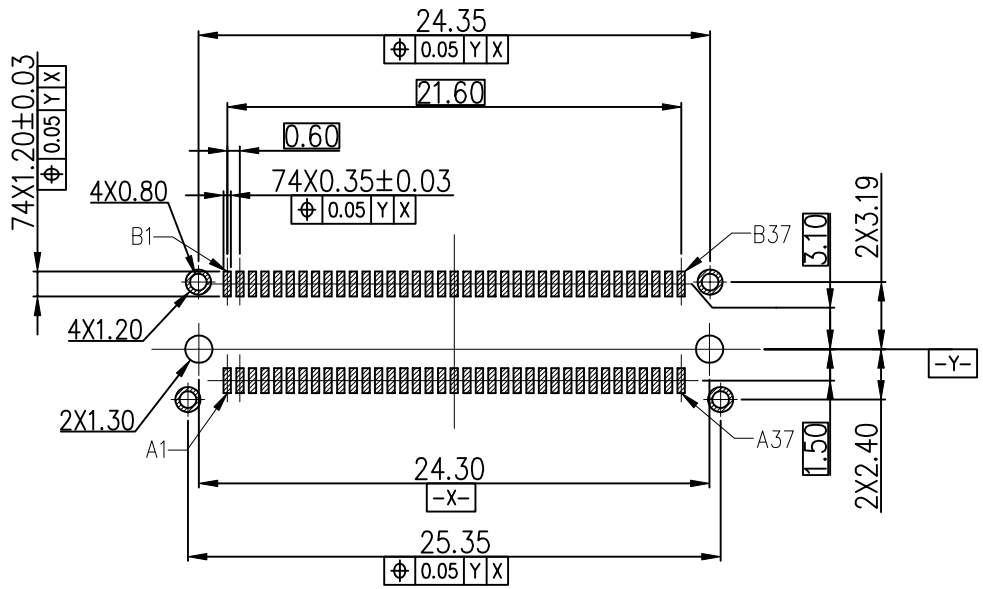
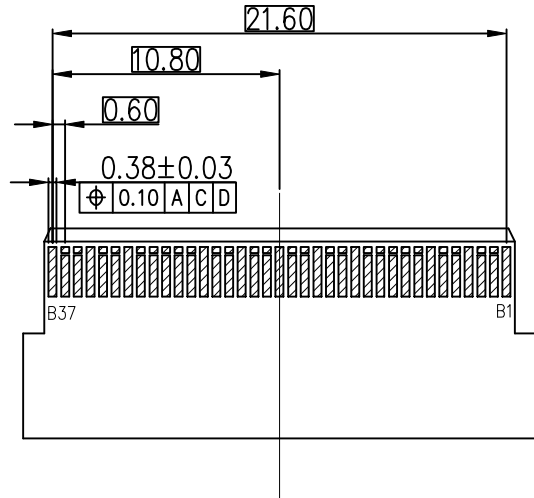
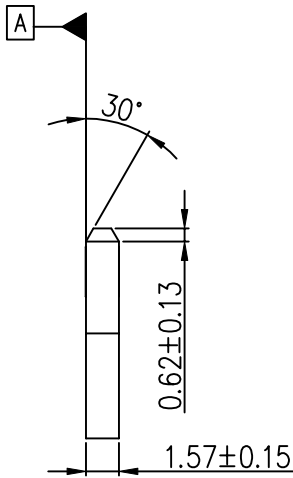
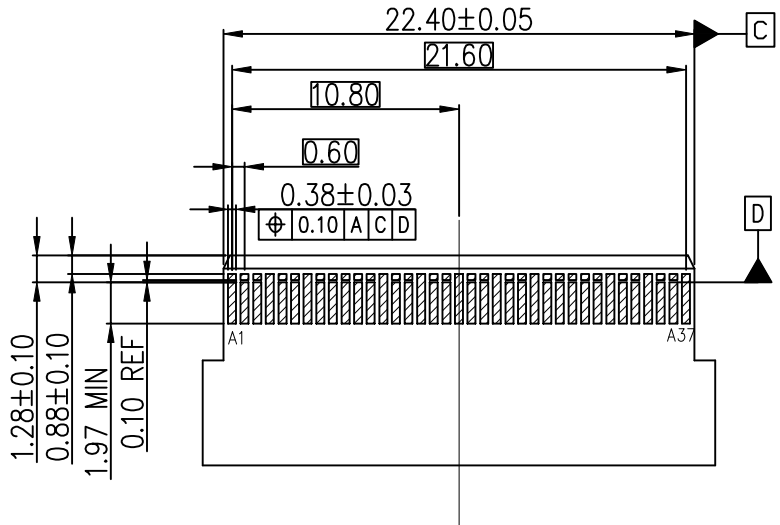


DEREN
SHENZHEN DEREN ELECTRONIC CO., LTD

DRAW NO. SC2208314	CUSTOMER DRAWING	DATE	TITLE: MIN COOL EDGE IO BX 74pin REC Vertical Type CONN
	DESIGN: Wilson	07/10'2022	P\N:SEE NOTE
REV. X1	CHECK:		SHEET: 1/3
APPROVAL:			SCALE: 1:1 UNIT: mm


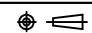
REV.	ECN NO.	LOCATION	DESCRIPTION	DATE	DESIGN
X1			INITIAL RELEASE	07/10'2022	Wilson

RECOMMENDED AIR MATING CARD DIMENSIONS

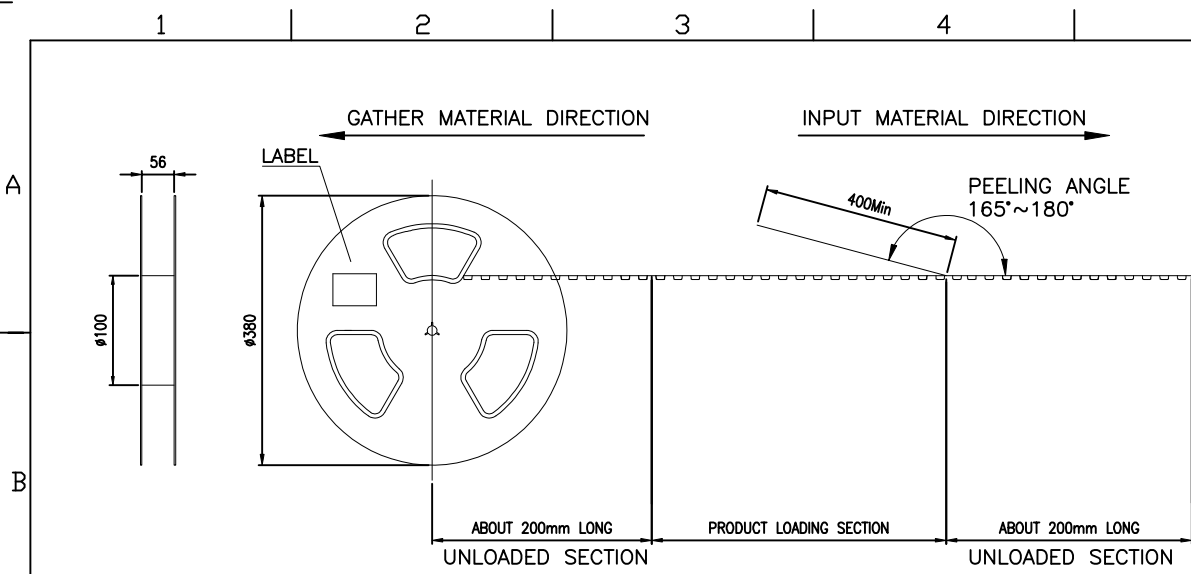


RECOMMENDED PCB LAYOUT
GENERAL TOLERANCES: ±0.05

DIM	TOL	DIM	TOL
.x	±0.30	x.	±2°
.xx	±0.20	.x	±1°
.xxx	±0.10		

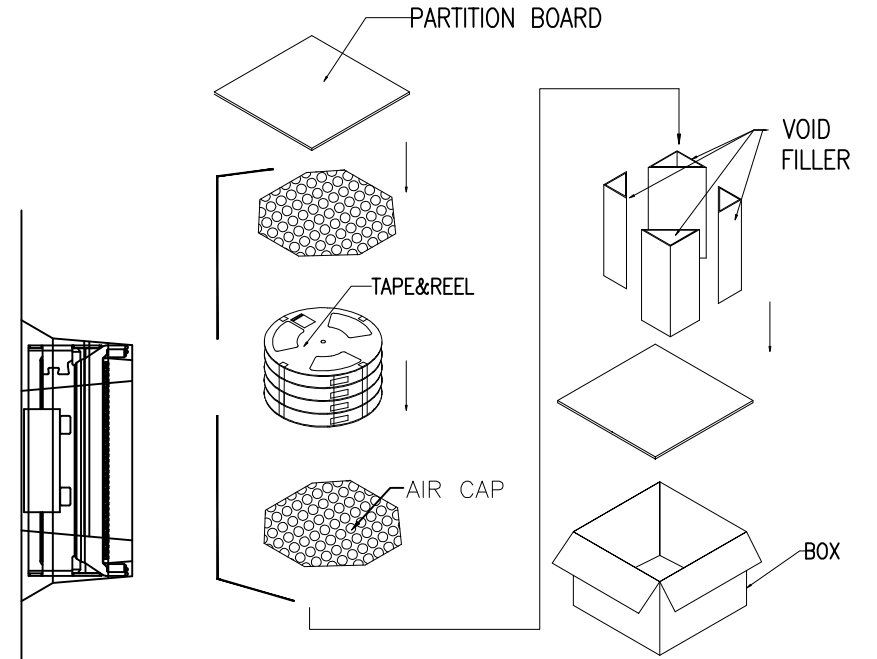
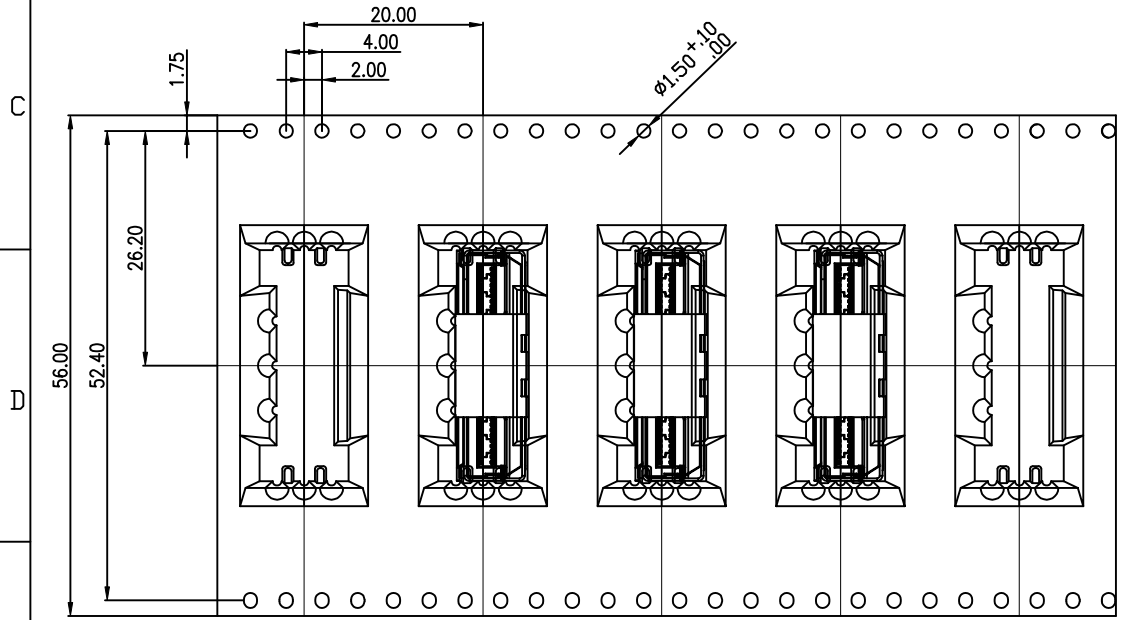
	DEREN		SHENZHEN DEREN ELECTRONIC CO., LTD	
	CUSTOMER DRAWING	DATE	TITLE: MINI COOL EDGE 10 BY 74pin REC Vertical Type CONN	
DRAW NO. SC2208314	DESIGN: Wilson	07/10'2022	P.N:SEE NOTE	
REV. X1	CHECK:		SHEET: 2/3	
	APPROVAL:		SCALE: 1:1	UNIT: mm

REV.	ECN NO.	LOCATION	DESCRIPTION	DATE	DESIGN
SEE SHEET 1					

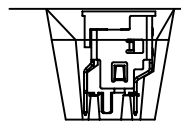


- MATERIAL:
COVER TAPE: PET, COLOR: CLEAR
CARRIER TAPE: PET
REEL: PS
SHIPPING BOX: CORRUGATED FIBER
- DIMENSION:
REEL: SEE DRAWING
BOX: 385X385X295mm
- QUANTITY: SEE TABLE

56XXBC-001H	74P	350	4	1400
PART NUMBER	NO.OF PIN	PCS/ REEL	REEL/ CARTON	PCS/ CARTON



→ PULL OUT DIRECTION



DIM	TOL	DIM	TOL
.x		.x	
.x		.x	
.xx			

DEREN
SHENZHEN DEREN ELECTRONIC CO., LTD

CUSTOMER DRAWING	DATE	TITLE: MINI COOL EDGE IO 8X 74pin REC Vertical Type CONN
DESIGN: Wilson	07/10'2022	P/N: SEE NOTE
CHECK:		SHEET: 3/3
REV. X1	APPROVAL:	SCALE: N/A UNIT: mm