



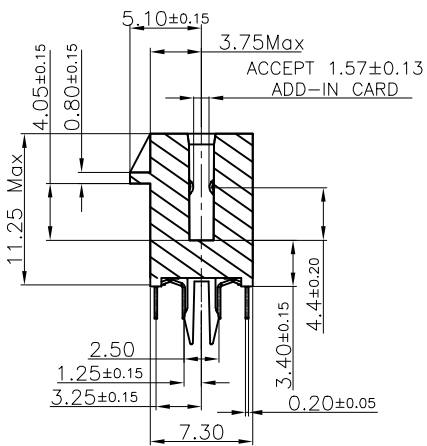
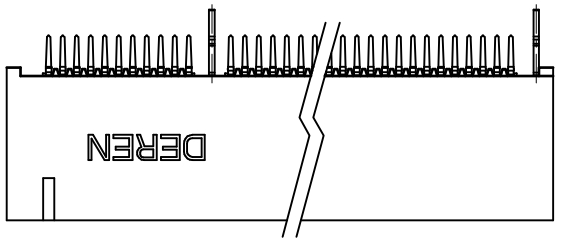
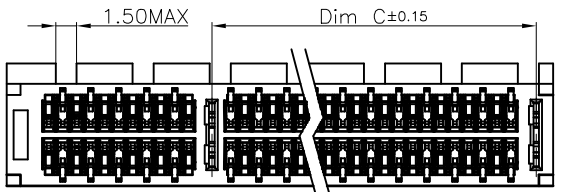
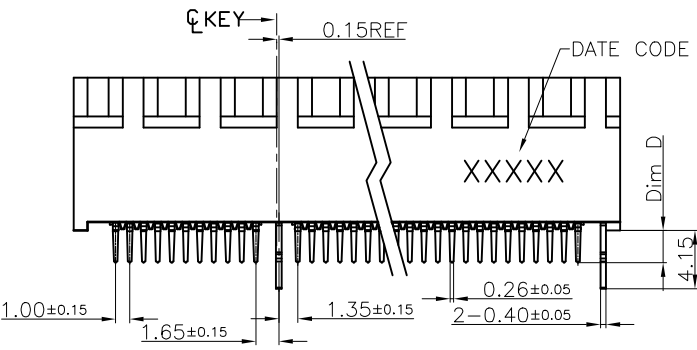
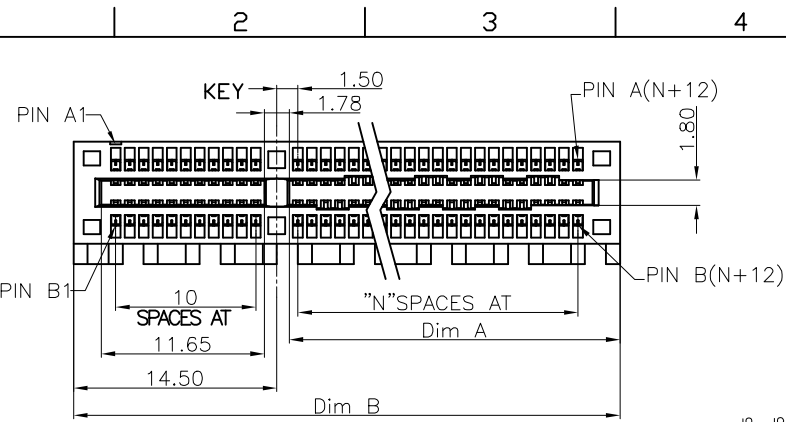
A

B

C

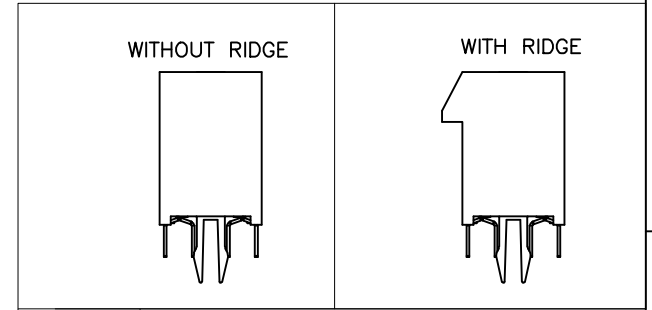
D

P/N:	#POS REF	N	DIM A	DIM B	DIM C	DIM D	PCB THK
564ZD4-009H****1	36	6	10.50	25.00	9.15	2.30±0.25	1.58
564ZD4-009H****1	64	20	24.50	39.00	23.15	3.10±0.25	2.38
564ZD4-009H****1	98	37	41.50	56.00	40.15	1.80±0.25	1.10
564ZD4-009H****1	164	70	74.50	89.00	73.15	3.56±0.25	



REV.	ECN NO.	LOCATION	DESCRIPTION	DATE	DESIGN
X1			INITIAL RELEASE	07/31'20	Chen

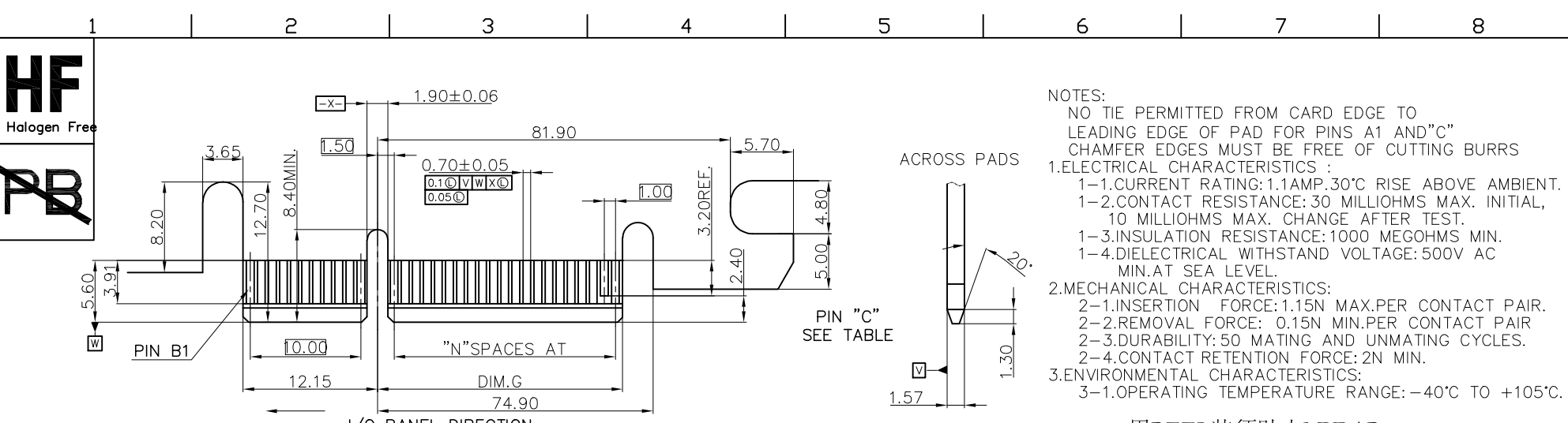
NOTES:
 PRODUCT MEETS CONTROLLED SUBSTANCES SPEC. ROHS 2.0
 1. MATERIAL:
 1.1 HOUSING:PA10T+30%G/F, UL94V-0; COLOR: BLACK
 1.2 CONTACT :C5191-EH,T=0.20
 1.3 MYLAR: POLYIMIDE FILM, t=0.10mm
 1.4 HOOK:S50C T=0.40Mmm
 2. FINISH:
 CONTACT:GOLD PLATING(SEE PART NUMBER) ON CONTACT AREA.
 2.54um[100u"] MIN. MATTE-TIN PLATING ON SOLDER TAIL AREA.
 1.27um[50u"] MIN. NICKEL UNDERPLATING OVERALL.
 3.DATE CODE : YYWWD (YY: YEAR, WW: WEEK, D: DAY)
 4.PART NUMBER DESCRIPTION:
 564ZD4 - 0 0 9 H * * * *
 PACKING CODE: 1:TRAY
 2:REEL
 HOUSING COLOR: 1:BLACK 2:WITHE 3.BLUE
 TAIL LENGTH CODE:1:2.3mm 2.3.1mm
 3.1.80mm 4.3.56mm
 RIDGE&POS CODE: 1.36P&WITH RIDGE
 2.36P&WITHOUT RIDGE
 3.64P&WITH RIDGE
 4.64P&WITHOUT RIDGE
 5.98P&WITH RIDGE
 6.98P&WITHOUT RIDGE
 7.164P&WITH RIDGE
 8.164P&WITHOUT RIDGE
 PLATING CODE: 1: G/F
 2: 15u" Min
 3: 30u" Min
 HALOGEN CODE: H: HALOGEN FREE



DEREN
 SHENZHEN DEREN ELECTRONIC CO., LTD

CUSTOMER DRAWING	DATE	TITLE: PCI EXPRESS 4.0 PITCH 1.0 DIP TYPE+DIP HOOK
DESIGN: Chen	07/31'20	P/N: SEE TABLE
CHECK: Bill.Lin	07/31'20	SHEET: 1/4
REV. X1	APPROVAL: Smark.Huo	07/31'20
SCALE: 1:1		UNIT: mm

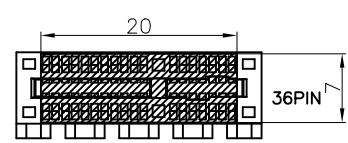
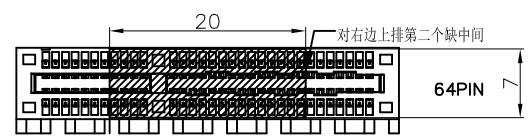
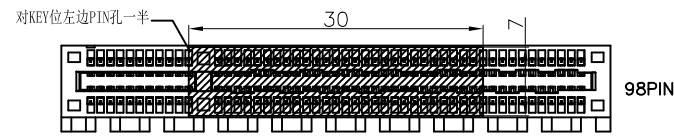
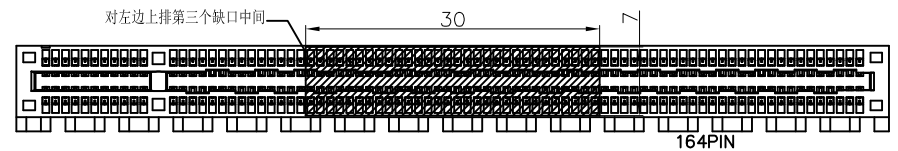
DIM	TOL	DIM	TOL
x	±0.30	x	±2'
.x	±0.25	.x	±1'
.xx	±0.20		



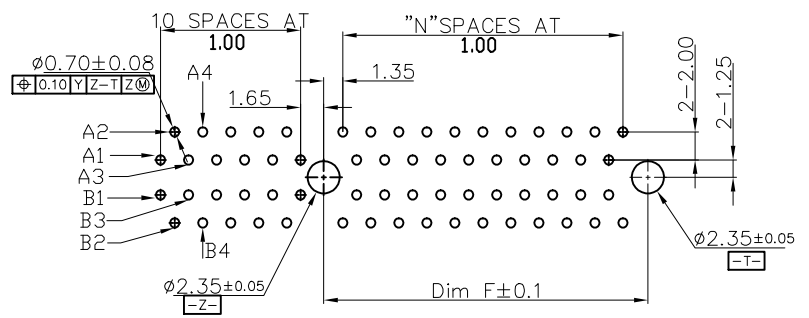
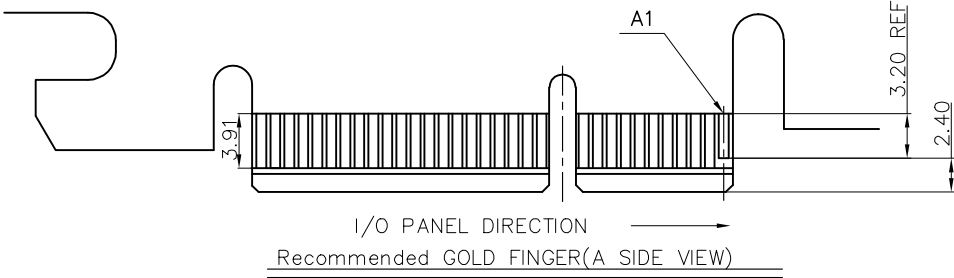
- NOTES:
- NO TIE PERMITTED FROM CARD EDGE TO LEADING EDGE OF PAD FOR PINS A1 AND "C"
 - CHAMFER EDGES MUST BE FREE OF CUTTING BURRS
 - 1.ELECTRICAL CHARACTERISTICS:
 - 1-1.CURRENT RATING:1.1AMP.30°C RISE ABOVE AMBIENT.
 - 1-2.CONTACT RESISTANCE:30 MILLIOHMS MAX. INITIAL, 10 MILLIOHMS MAX. CHANGE AFTER TEST.
 - 1-3.INSULATION RESISTANCE:1000 MEGOHMS MIN.
 - 1-4.DIELECTRICAL WITHSTAND VOLTAGE:500V AC MIN.AT SEA LEVEL.
 - 2.MECHANICAL CHARACTERISTICS:
 - 2-1.INSERTION FORCE:1.15N MAX.PER CONTACT PAIR.
 - 2-2.REMOVAL FORCE: 0.15N MIN.PER CONTACT PAIR
 - 2-3.DURABILITY:50 MATING AND UNMATING CYCLES.
 - 2-4.CONTACT RETENTION FORCE:2N MIN.
 - 3.ENVIRONMENTAL CHARACTERISTICS:
 - 3-1.OPERATING TEMPERATURE RANGE:-40°C TO +105°C.

用REEL装须贴上MYLAR

贴MYLAR示意图

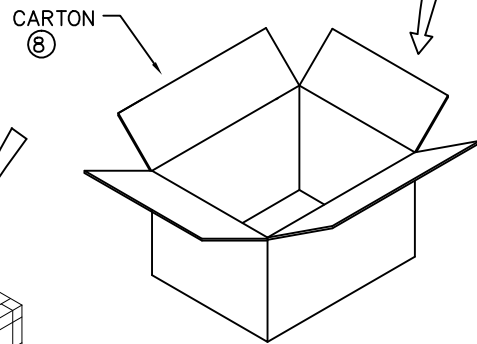
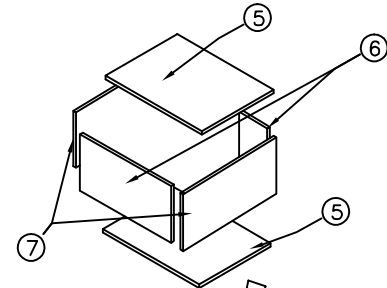
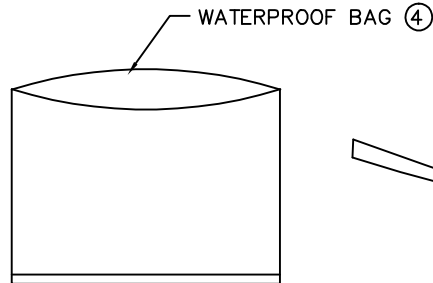
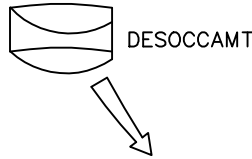
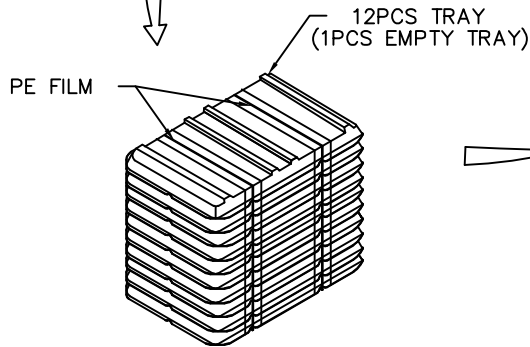
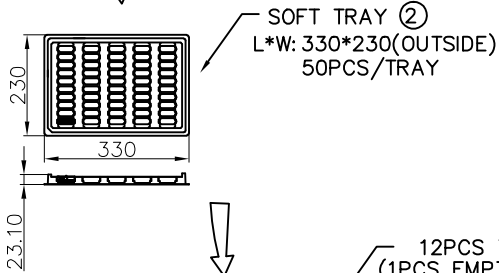


#POS REF	N	DIM F	DIM G	PIN C
36	6	9.15	8.15	B17
64	20	23.15	22.15	B31
98	37	40.15	39.15	B48
164	70	73.15	72.15	B81



RECOMMENDED P.C.B LAYOUT(COMPONENT SIDE)
DEFAULT TOLERANCES: ±0.05

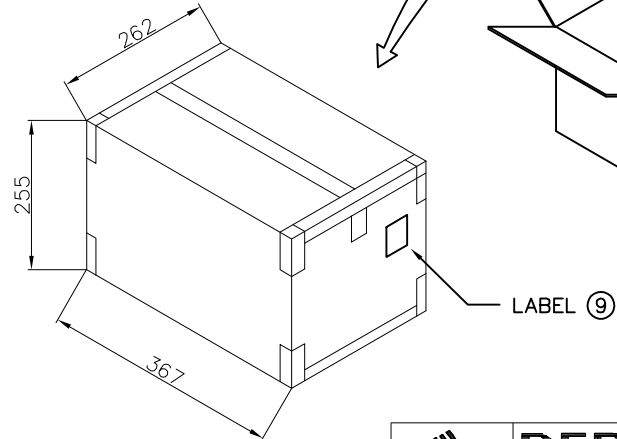
DIM	TOL	DIM	TOL	DEREN SHENZHEN DEREN ELECTRONIC CO., LTD	CUSTOMER DRAWING DATE	TITLE: PCI EXPRESS 4.0 PITCH 1.0 DIP TYPE+DIP HOOK			
x	±0.30	x	±2'				DRAW NO. SC200****	DESIGN: Chen 07/31'20 CHECK: Bill.Lin 07/31'20	P/N: SEE TABLE SHEET: 2/4
.x	±0.25	.x	±1'						



8	CARTON		367*262*255mmK=K	1
7	EPE		340*220*15mm	2
6	EPE		250*230*10mm	2
5	EPE		355*250*15mm	2
4	BAG		600*520*0.05mm	1
3	DESOCAMT	-	50g/BAG	1BAG
2	SOFT TRAY	-	330*230mm	12
1	CONN	-	-	SEE TABLE
NO.	PART NAME	PART NUMBER	SPEC.	QTY

- NOTE:
1. PUT THE PRODUCTS INTO TRAY WITH DIRECTION AS THE LEFT SKETCH SHOWN, Q'TY SEE TABLE, 12 TRAYS STACKED UP PER BUNDLE. THEN ADD AN EMPTY TRAY ON TOPSIDE.
 2. WIND THE TWO ENDS WITH PE FILM.
 3. PUT THE PRODUCTS BUNDLED INTO WATER-PROOF PE BAG, 1BUNDLES/BAG, THEN PUT INTO THE CARTON.
 4. SEAL OUTER CARTON WITH PACKING TAPE LIKE A 'H' SHAPE
 5. PACKAGING QUANTITY: SEE TABLE.

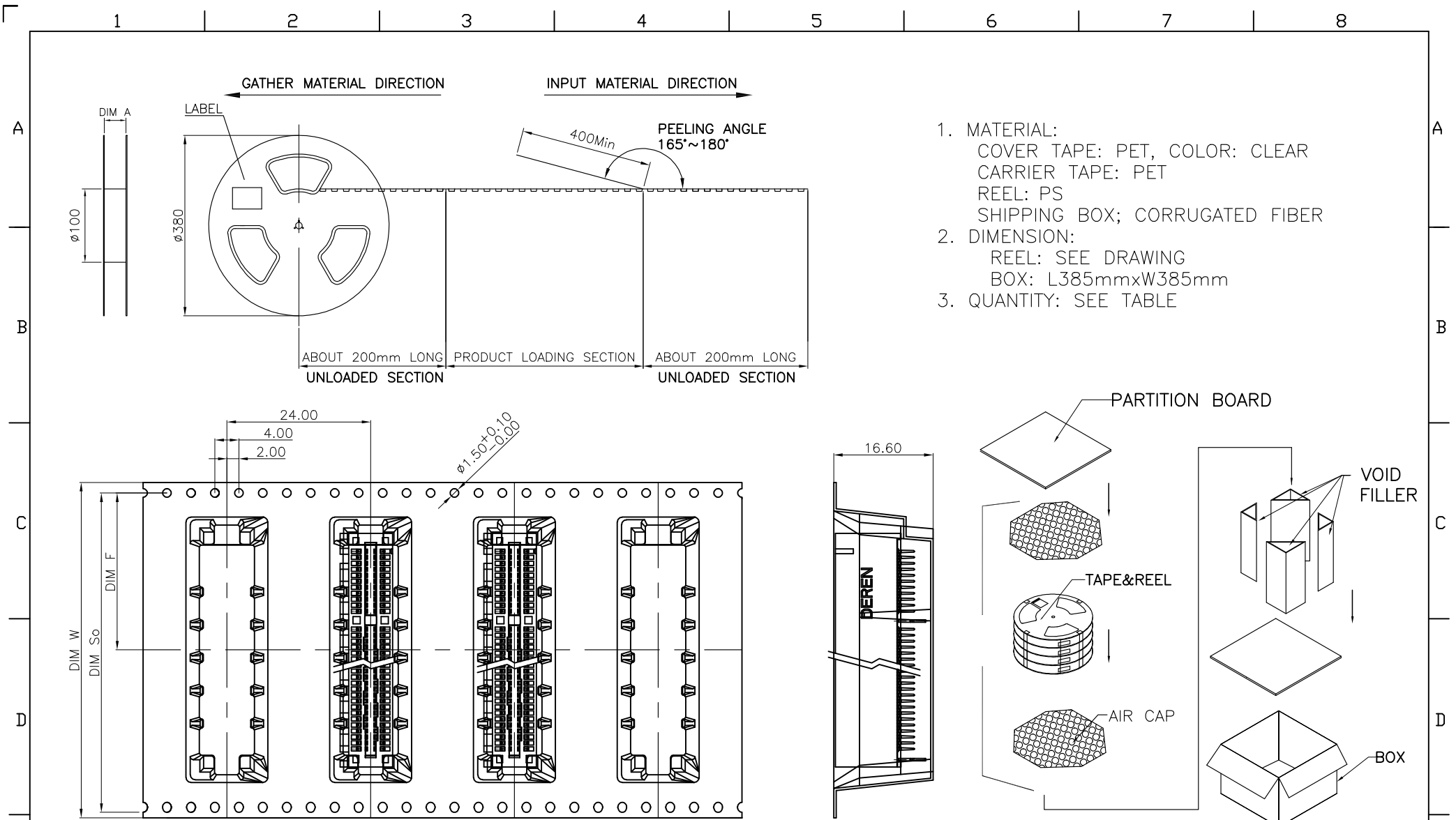
P/N:	#POS REF	RIDGE	PCS/ROW OF TRAY	PCS/COLUMN OF TRAY	PCS/TRAY	TRAYS/CARTON	PCS/CARTON
564ZD4-009H****1	36	WITH					
564ZD4-009H****1		WITHOUT					
564ZD4-009H****1	64	WITH	10	5	50	12	550
564ZD4-009H****1		WITHOUT	10	5	50	12	550
564ZD4-009H****1	98	WITH					
564ZD4-009H****1		WITHOUT					
564ZD4-009H****1	164	WITH					
564ZD4-009H****1		WITHOUT					



DIM	TOL	DIM	TOL
x		x	
.x		.x	
.xx			

DEREN
SHENZHEN DEREN ELECTRONIC CO., LTD

CUSTOMER DRAWING		DATE		TITLE: PCI EXPRESS 4.0 PITCH 1.0 DIP TYPE=DIP HOOK	
DESIGN:	Chen	07/31'20	P/N: SEE TABLE		
CHECK:	Bill.Lin	07/31'20	SHEET: 3/4		
REV.	X1	APPROVAL: Smark.Huo	07/31'20	SCALE: 1:1 UNIT: mm	



1. MATERIAL:
COVER TAPE: PET, COLOR: CLEAR
CARRIER TAPE: PET
REEL: PS
SHIPPING BOX; CORRUGATED FIBER
2. DIMENSION:
REEL: SEE DRAWING
BOX: L385mmxW385mm
3. QUANTITY: SEE TABLE

P/N:	#POS REF	RIDGE	DIM W	DIM S	DIM F	DIM A /REEL	PCS/REEL	REELS/CARTON	PCS/CARTON
564ZD4-009H****2	36	WITH	44	40.4	20.2	44.4	200	5	1000
564ZD4-009H****2		WITHOUT							
564ZD4-009H****2	64	WITH	56	52.4	26.2	56.4	200	4	800
564ZD4-009H****2		WITHOUT							
564ZD4-009H****2	98	WITH	72	68.4	34.2	72.4	200	3	600
564ZD4-009H****2		WITHOUT							
564ZD4-009H****2	164	WITH	104	100.4	50.2	104.4	200	2	400
564ZD4-009H****2		WITHOUT							

DIM	TOL	DIM	TOL
x		x	
.x		.x	
.xx			

	DEREN		SHENZHEN DEREN ELECTRONIC CO., LTD	
	CUSTOMER DRAWING	DATE	TITLE: PCI EXPRESS 4.0 PITCH 1.0 DIP TYPE-DIP BOOK	
	DESIGN: Chen	07/31'20	P/N: SEE TABLE	
	CHECK: Bill.Lin	07/31'20	SHEET: 4/4	
REV. X1	APPROVAL: Smark.Huo	07/31'20	SCALE: N/A	UNIT: mm