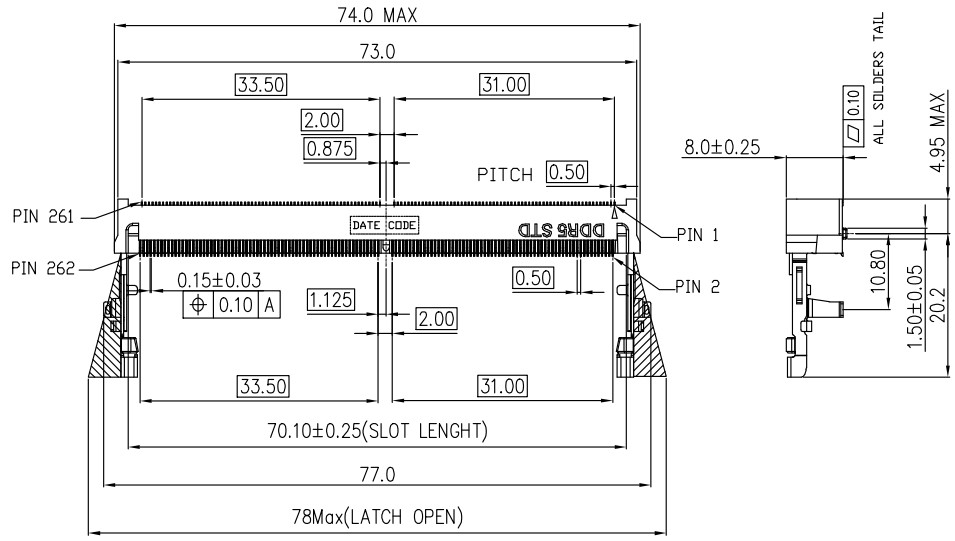


**HF**

Halogen Free

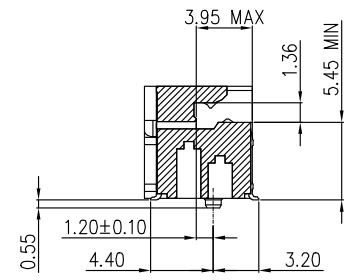
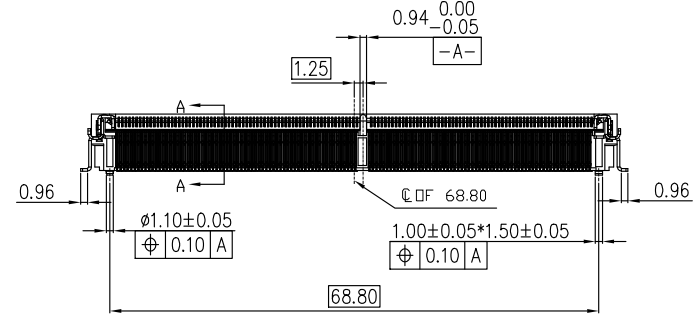


| REV. | ECN NO. | LOCATION | DESCRIPTION     | DATE     | DESIGN |
|------|---------|----------|-----------------|----------|--------|
| X1   |         |          | INITIAL RELEASE | 04/20'20 | HC     |
| X2   |         |          | UPDATE DRAWING  | 12/02'20 | HC     |

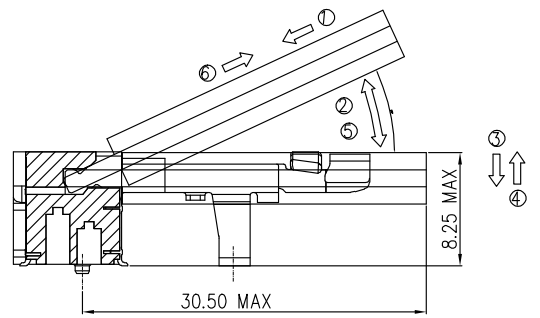


**NOTES:**

- 1.MATERIAL:  
 1.1 HOUSING:LCP,UL 94V-0,COLOR: BLACK.  
 1.2 CONTACT:PHOSPHOR BRONZE.  
 1.3 LATCH:STAINLESS STEEL.
2. FINISH:  
 2.1 CONTACT:90u" MIN NICKEL UNDERPLATED ALL OVER.  
 GOLD FALSH(Au 2u"Min) PLATING ON SOLDERTAIL.  
 GOLD PLATING (THICKNESS SEE P/N) ON CONTACT AREA.  
 2.2 SOLDER PEG:  
 90u" MIN NICKEL UNDERPLATED ALL OVER.  
 100u" MIN MATTE TIN PLATING ENTIRE OVER.
3. DATE CODE : YYWDX  
 YY: YEAR (09: 2009)  
 WW: WEEK (25: THE 25TH WEEK)  
 D: DAY (1~7: SUNDAY~SATURDAY)  
 L: LINE NUMBER OF ASSEMBLY (A: LINE A)  
 X: MANUFACTURE CODE



SECTION: A-A  
SCALE 2:1



**MATING/UNMATING VIEW**

MATING: ①INSERTING(25°) → ②ROTATING → ③FIXED  
 UNMATING: ④UNFIXED → ⑤ROTATING → ⑥WITHDRAWING

TABLE

| DIM        | TOL         | DIM  | TOL   |
|------------|-------------|------|-------|
| 30u"       | 567Y09-005H | x.   | ±0.50 |
| 15u"       | 567Y09-004H | .x   | ±0.35 |
| 10u"       | 567Y09-003H | .xx  | ±0.25 |
| 5u"        | 567Y09-002H | .xxx | ±0.15 |
| GF         | 567Y09-001H |      |       |
| Au PLATING | DEREN P/N   |      |       |

**DEREN**

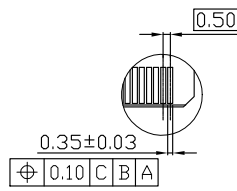
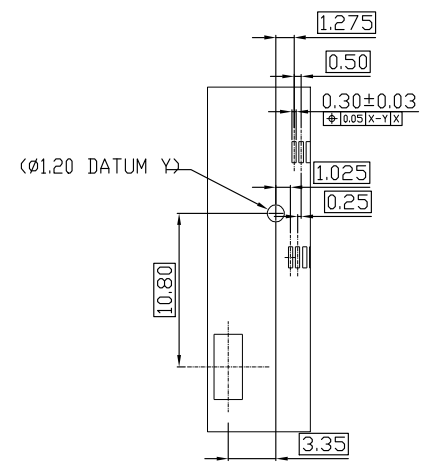
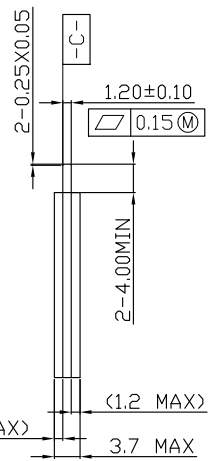
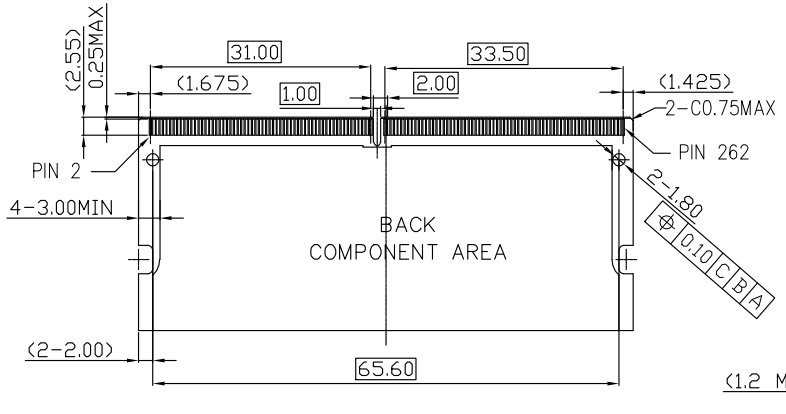
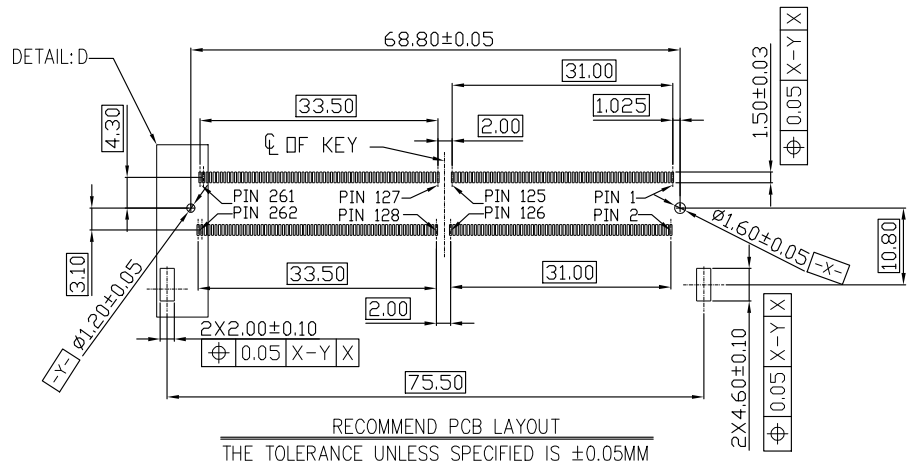
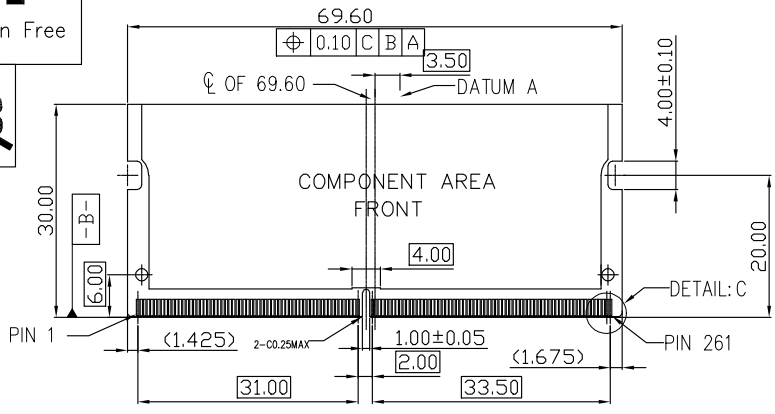
SHENZHEN DEREN ELECTRONIC CO., LTD

|                    |            |  |
|--------------------|------------|--|
| CUSTOMER DRAWING   | DATE       | TITLE: DDR5 SO DIMM 8.0H METAL LATCH STD C DWG |
| DRAW NO. SC2006740 | DESIGN: HC | DATE: 12/02'20                                 |
| CHECK:             |            | P/N: SEE TABLE                                 |
| APPROVAL:          |            | SHEET: 1/3                                     |
| REV. X2            |            | SCALE: 1:1 UNIT: mm                            |

**HF**  
Halogen Free



| REV. | ECN NO. | LOCATION | DESCRIPTION     | DATE     | DESIGN |
|------|---------|----------|-----------------|----------|--------|
| X1   |         |          | INITIAL RELEASE | 04/20'20 | HC     |
| X2   |         |          | UPDATE DRAWING  | 12/02'20 | HC     |



DETAIL: C  
SCALE 2:1

DETAIL: D  
SCALE 2:1

| DIM  | TOL   | DIM  | TOL |
|------|-------|------|-----|
| .x   | ±0.35 | x'   | ±3' |
| .xx  | ±0.25 | .x'  | ±2' |
| .xxx | ±0.15 | .xx' | ±1' |

**DEREN**  
SHENZHEN DEREN ELECTRONIC CO., LTD

|                  |          |  |
|------------------|----------|--|
| CUSTOMER DRAWING | DATE     | TITLE: DDR5 SO DIMM 8.0H METAL LATCH STD C DWG |
| DESIGN: HC       | 12/02'20 | P/N: SEE TABLE                                 |
| CHECK:           |          | SHEET: 2/3                                     |
| APPROVAL:        |          | SCALE: 1:1 UNIT: mm                            |

DRAW NO. SC2006740  
 REV. X2

