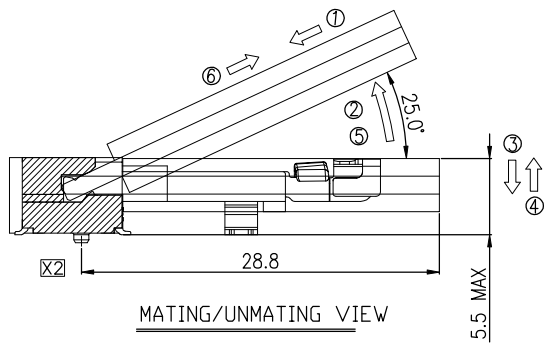
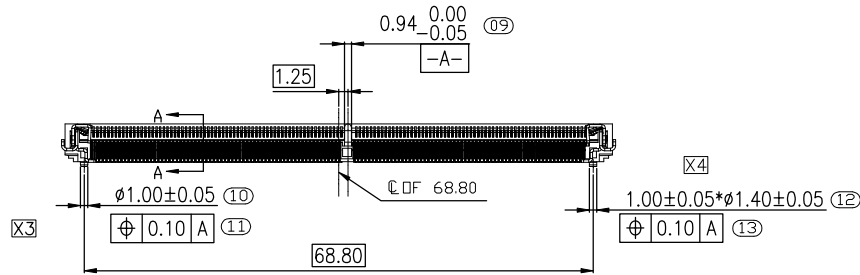
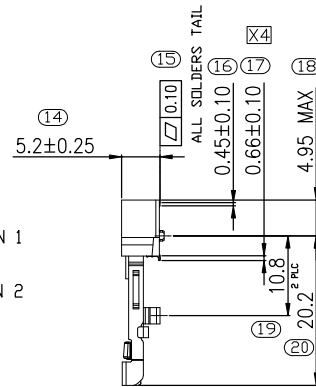
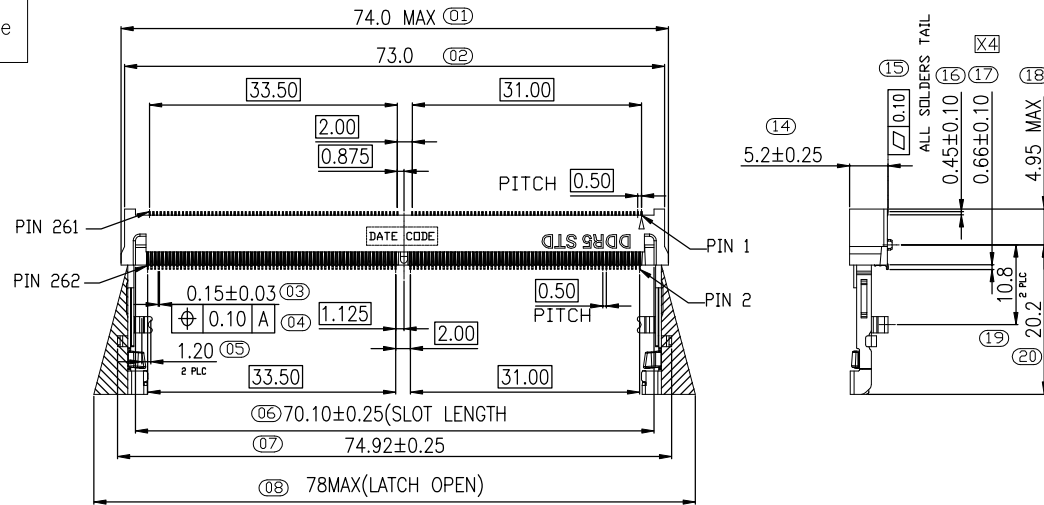


# HF

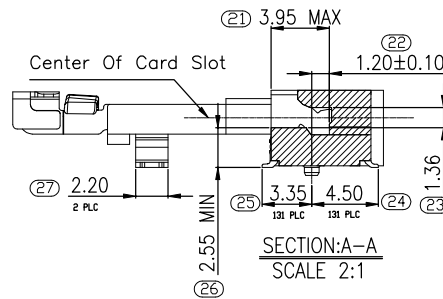
Halogen Free



REV.	ECN NO.	LOCATION	DESCRIPTION	DATE	DESIGN
X1			INITIAL RELEASE	09/28'20	HC
X4		X4	UPDATE DIMENSION	03/25'22	MikeJiang



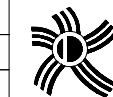
MATING: ①INSERTING(25°) → ②ROTATING → ③FIXED  
 UNMATING: ④UNFIXED → ⑤ROTATING → ⑥WITHDRAWING



NOTES:  
 1.MATERIAL:  
 1.1 HOUSING:LCP,UL94V-0,COLOR:BLACK.  
 1.2 CONTACT:PHOSPHOR BRONZE.  
 1.3 LATCH:STAINLESS STEEL.  
 2. FINISH:  
 2.1 CONTACT: 50u" MIN NICKEL UNDERPLATED ALL OVER.  
 GOLD FALSH PLATING ON SOLDER TAIL.  
 GOLD PLATING (THICKNESS SEE TABLE 1) ON CONTACT AREA.  
 2.2 SOLDER PEG:  
 50u" MIN NICKEL UNDERPLATED ALL OVER.  
 100u" MIN MATTE TIN PLATED ALL OVER.  
 3. DATE CODE : YYWDX  
 YY : YEAR (09: 2009)  
 WW: WEEK (25: THE 25TH WEEK)  
 D : DAY (1~7: SUNDAY~SATURDAY)  
 XX : PRODUCTION CODE  
 4.PART NUMBER DESCRIPTION:

567YD2-002H X S X X R

PACKING CODE:  
 R: CARRIER TYPE  
 LOGO:  
 0:NO LOGO  
 1:DR LOGO  
 COKOR:  
 1:BLACK  
 2:WHITE  
 KEY TYPE:  
 S: STD  
 PLATING CODE:1: GF            2: Au5u"  
    3: Au10u"    4: 15u"  
    5: Au30u"  
 HALOGEN CODE:  
 H:HALOGEN FREE



**DEREN**  
 SHENZHEN DEREN ELECTRONIC CO., LTD

DIM	TOL	DIM	TOL
x.	±0.50	x.'	±3'
.x	±0.35	.x'	±2'
.xx	±0.25	.xx'	±1'
.xxx	±0.15		

DRAW NO.  
SC2006974

REV. X4

CUSTOMER DRAWING	DATE
DESIGN: MikeJiang	03/25'22
CHECK: Bill Lin	03/25'22
APPROVAL: Bill Lin	03/25'22

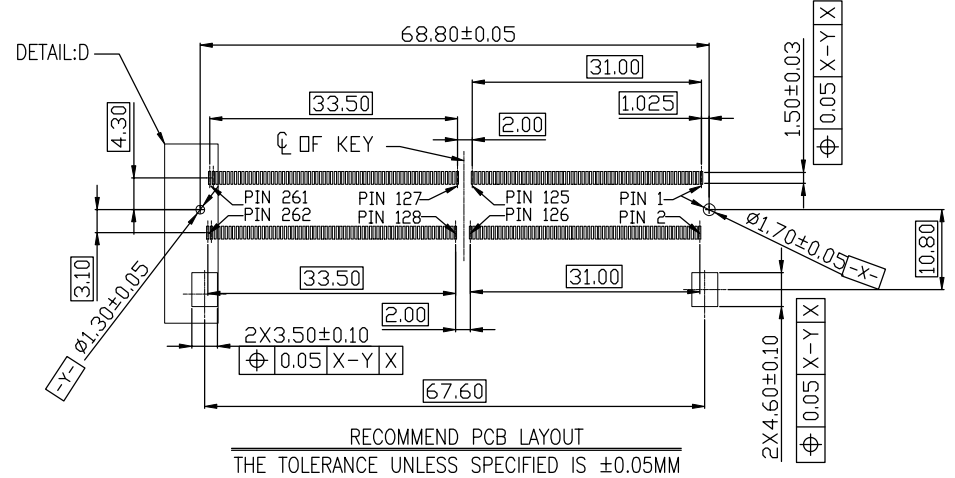
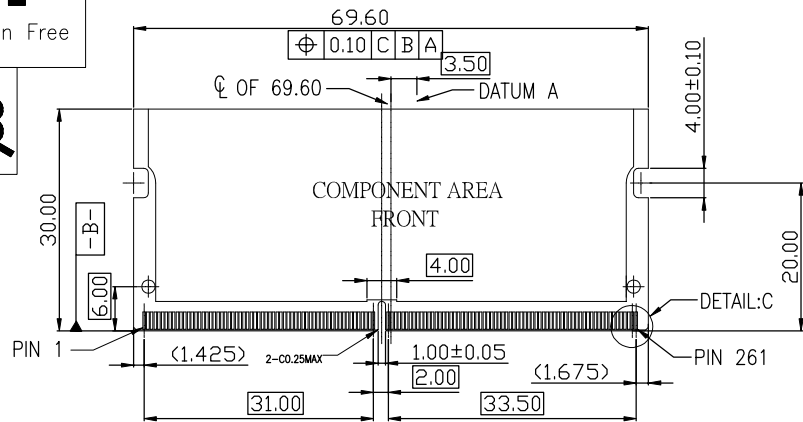
TITLE	P/N	SHEET	SCALE	UNIT
DDR5 SO DIMM 5.20H METAL LATCH STD	567YD2-002HXSXXR	1/3	1:1	mm

# HF

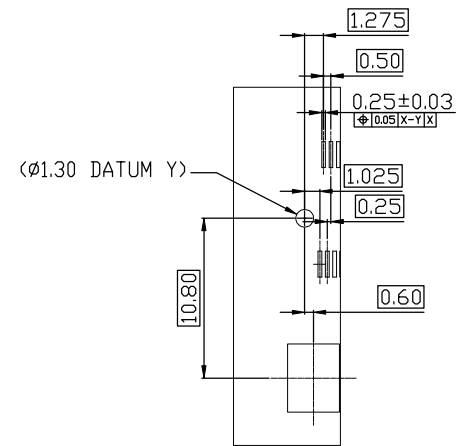
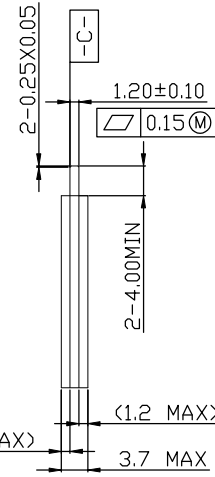
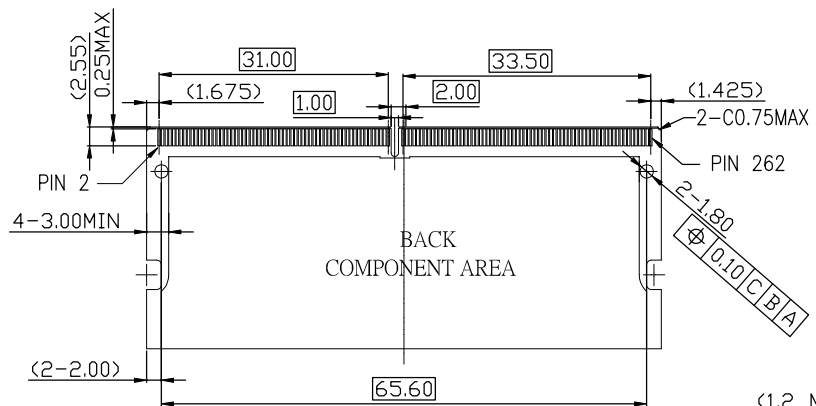
Halogen Free



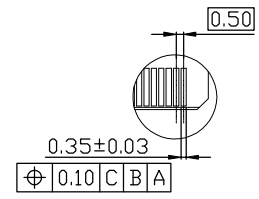
REV.	ECN NO.	LOCATION	DESCRIPTION	DATE	DESIGN
X1			INITIAL RELEASE	09/28'20	HC
X4		X4	UPDATE DIMENSION	03/25'22	MikeJiang



RECOMMEND PCB LAYOUT  
 THE TOLERANCE UNLESS SPECIFIED IS ±0.05MM



DETAIL:D  
 SCALE 2:1



DETAIL:C  
 SCALE 2:1

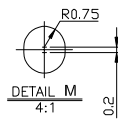
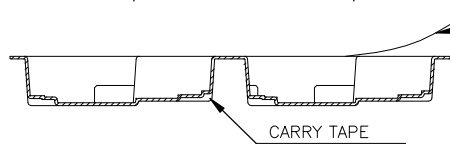
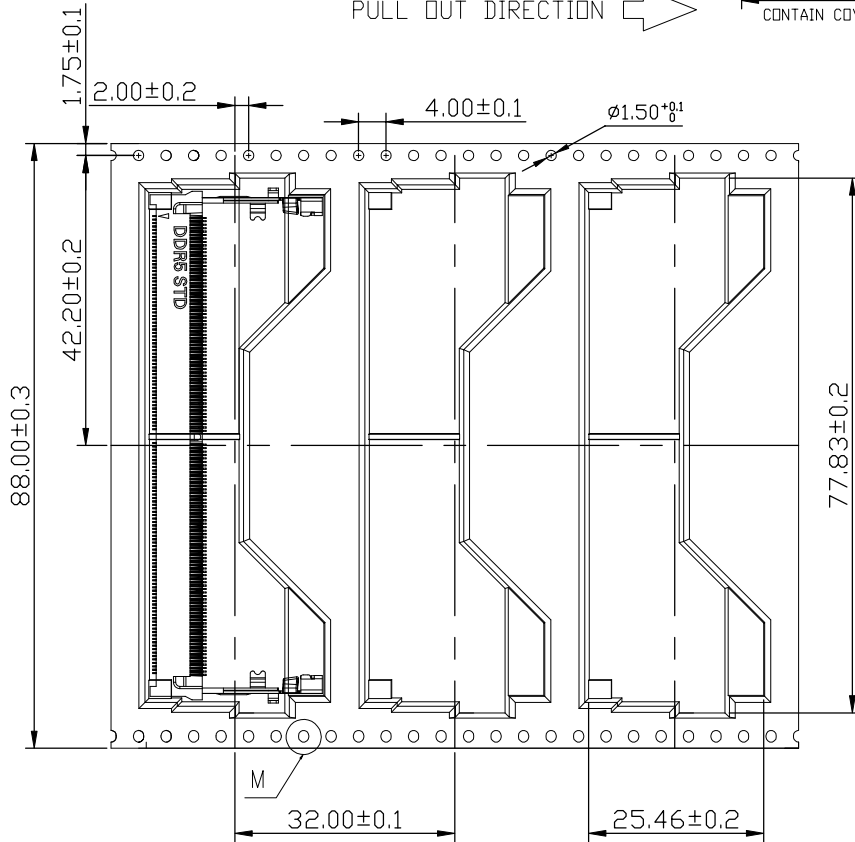
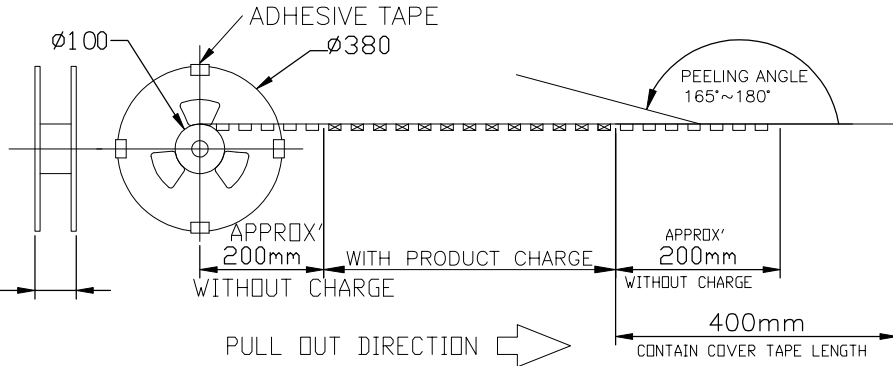
DIM	TOL	DIM	TOL
.x	±0.35	x.*	±3*
.xx	±0.25	.x*	±2*
.xxx	±0.15	.xx*	±1*

**DEREN**  
 SHENZHEN DEREN ELECTRONIC CO., LTD

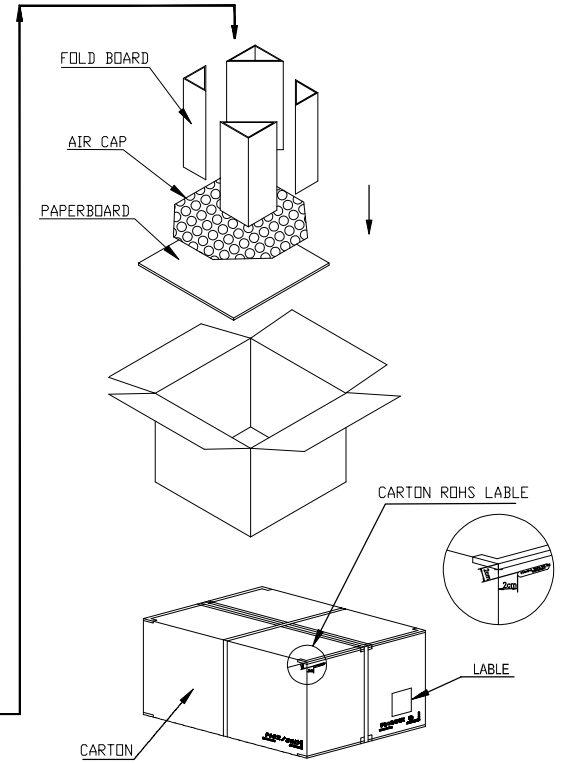
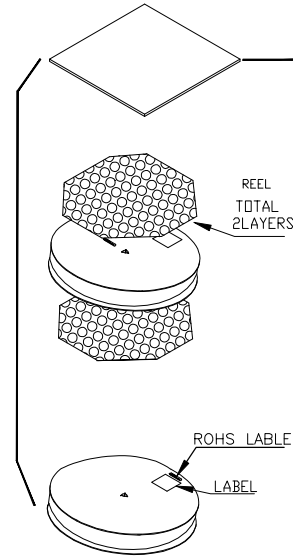
DRAW NO.	DESIGN: MikeJiang	DATE: 03/25'22	TITLE: DDR5 SO DIMM 5.20H METAL LATCH STD
SC2006974	CHECK: Bill Lin	03/25'22	P/N: 567YD2-002HXSXXR
REV. X4	APPROVAL: Bill Lin	03/25'22	SHEET: 2/3
			SCALE: 1:1 UNIT: mm

# HF

Halogen Free

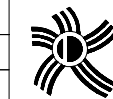


REV.	ECN NO.	LOCATION	DESCRIPTION	DATE	DESIGN
X1			INITIAL RELEASE	09/28'20	HC
X4		4	UPDATE DIMENSION	03/25'22	MikeJiang



PCS/REEL	REEL/CARTON	PCS/CARTON	PART NUMBER
400	2	800	567YD2-002HXSXXR

DIM	TOL	DIM	TOL
x.	±0.20	x.'	±2'
.x	±0.15	.x'	±2'
.xx	±0.10	.xx'	±2'
.xxx	±0.05		



**DEREN**  
SHENZHEN DEREN ELECTRONIC CO., LTD

CUSTOMER DRAWING	DATE	TITLE:
DESIGN: MikeJiang	03/25'22	DDRS SO DIMM 5.2H METAL LATCH STD
CHECK: Bill Lin	03/25'22	P/N: 567YD2-002HXSXXR
APPROVAL: Bill Lin	03/25'22	SHEET: 3/3
REV. X4		SCALE: 1:1 UNIT: mm