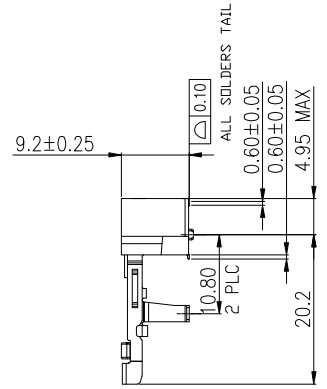
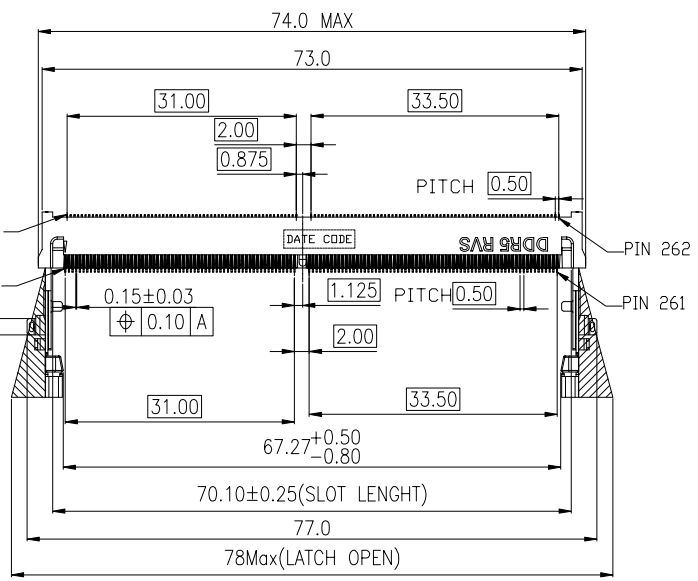


HF

Halogen Free

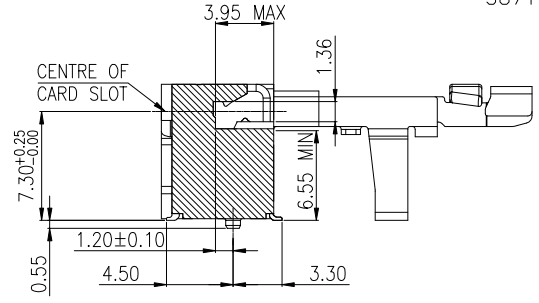
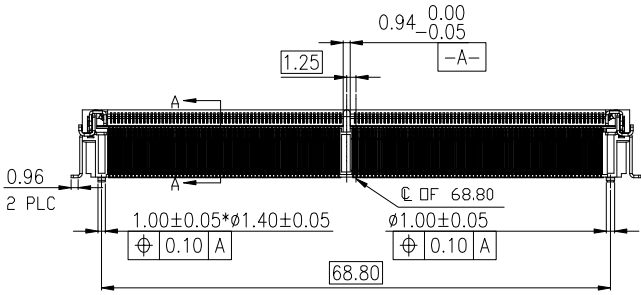


ECN NO.	LOCATION	DESCRIPTION	DATE	DESIGN
X1		PRELIMINARY DRAWING	2022.04.06	HC



NOTES:

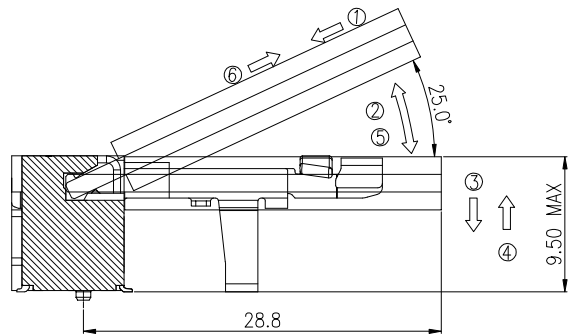
- MATERIAL:
 - HOUSING:LCP,UL94V-0,COLOR:BLACK.
 - CONTACT:PHOSPHOR BRONZE.
 - LATCH:STAINLESS STEEL.
- FINISH:
 - CONTACT:50u" MIN NICKEL UNDERPLATED ALL OVER.
GOLD FALSH PLATING ON SOLDERTAIL.
GOLD PLATING (THICKNESS SEE P/N) ON CONTACT AREA.
 - SOLDER PEG:
50u" MIN NICKEL UNDERPLATED ALL OVER.
100u" MIN MATTE TIN PLATING ENTIRE OVER.
- DATE CODE :YYWDXLX
 YY: YEAR (09: 2009)
 WW: WEEK (25: THE 25TH WEEK)
 D: DAY (1~7: SUNDAY~SATURDAY)
 L: LINE NUMBER OF ASSEMBLY (A: LINE A)
 X: MANUFACTURE CODE
- RECOMMENDED STENCIL THICKNESS:0.12mm Min.
- PART NUMBER DESCRIPTION:
567YD2-004H X R X X R



PACKING CODE:
 R:TAPE&REEL
 LOGO:
 0:NO LOGO
 1:DR LOGO
 COLOR:
 1:BLACK
 2:WHITE
 KEY TYPE:
 R:RVS

PLATING CODE:1: GF 2: Au5u"
 3: Au10u" 4:Au15u"
 5: Au30u"

HALOGEN CODE:
 H:HALOGEN FREE



MATING/UNMATING VIEW

- MATING: ① INSERTING(25°) → ② ROTATING → ③ FIXED
 UNMATING: ④ UNFIXED → ⑤ ROTATING → ⑥ WITHDRAWING

DIM	TOL	DIM	TOL
x.	±0.50	x.*	±3*
.x	±0.35	.x*	±2*
.xx	±0.25	.xx*	±1*
.xxx	±0.15		



DEREN
 SHENZHEN DEREN ELECTRONIC CO., LTD

CUSTOMER DRAWING	DATE	TITLE: DDR5 SO DIMM 262PIN 9.2H RVS METAL LATCH C-DWG
DESIGN: HC	2022.04.06	P/N: 567YD2-004HXRXXR
CHECK:		SHEET: 1/3
APPROVAL:		SCALE: 1:1 UNIT: mm

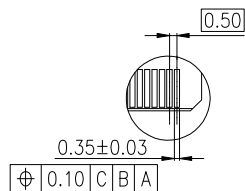
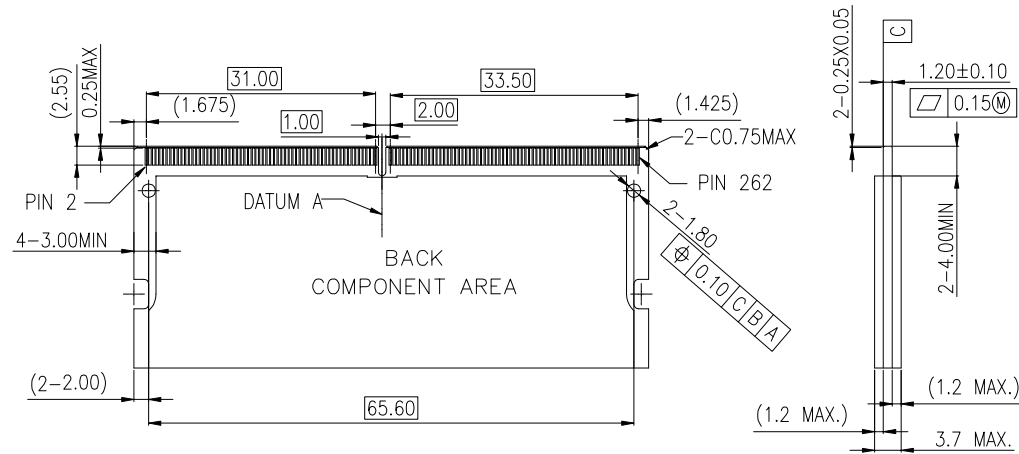
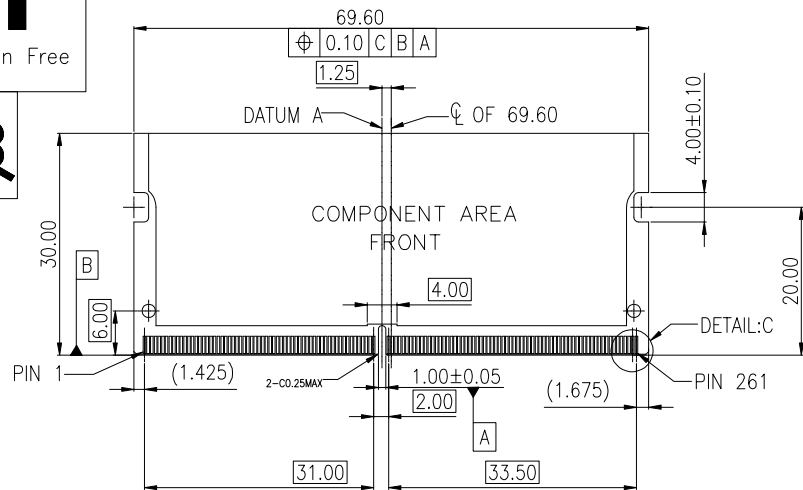
DRAW NO. SC2107855	REV. X1
--------------------	---------

HF

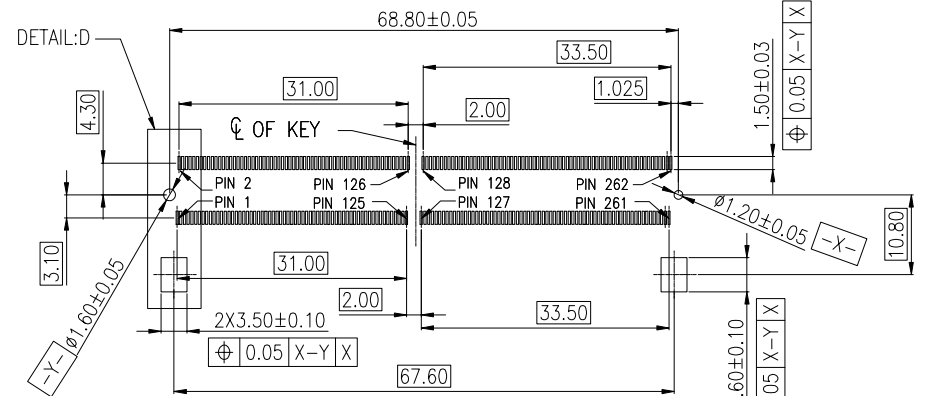
Halogen Free



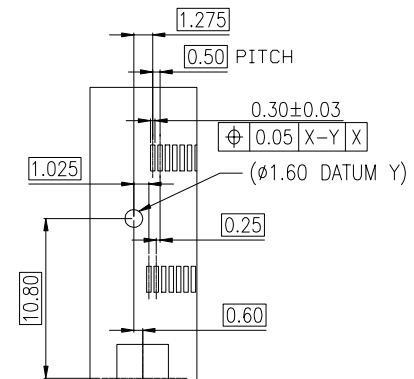
ECN NO.	LOCATION	DESCRIPTION	DATE	DESIGN
X1		PRELIMINARY DRAWING	2022.04.06	HC



DETAIL:C
SCALE 2:1



RECOMMEND PCB LAYOUT(TOP VIEW)
THE TOLERANCE UNLESS SPECIFIED IS ±0.05MM



DETAIL:D
SCALE 2:1

DIM	TOL	DIM	TOL
.x	±0.50	.x'	±3'
.x	±0.35	.x'	±2'
.xx	±0.25	.xx'	±1'
.xxx	±0.15		



DEREN
SHENZHEN DEREN ELECTRONIC CO., LTD

DRAW NO.
SC2107855

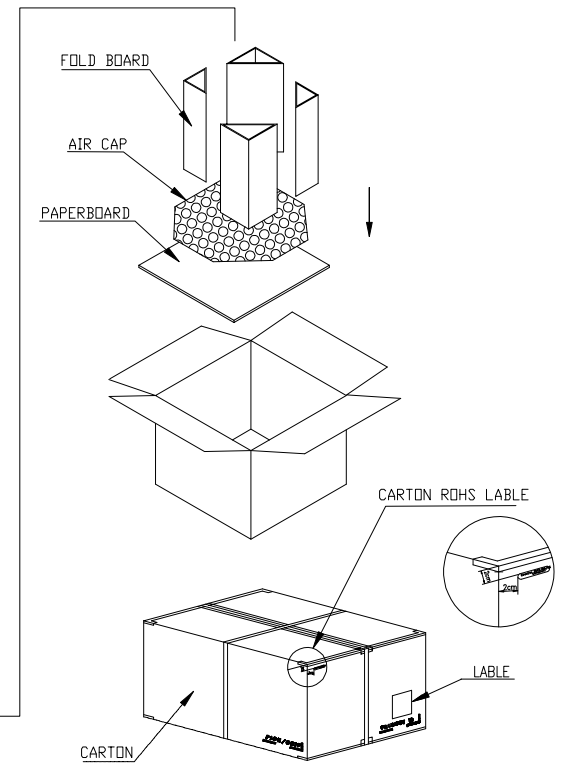
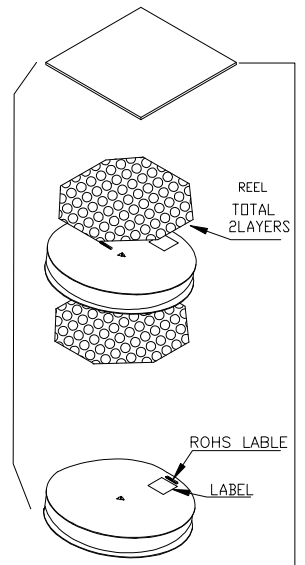
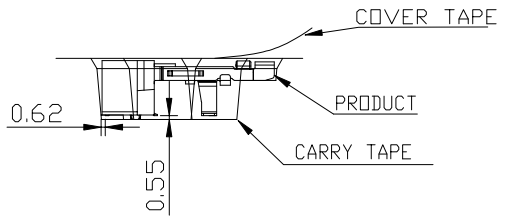
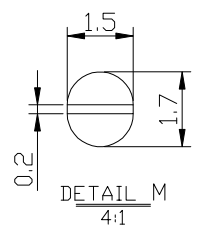
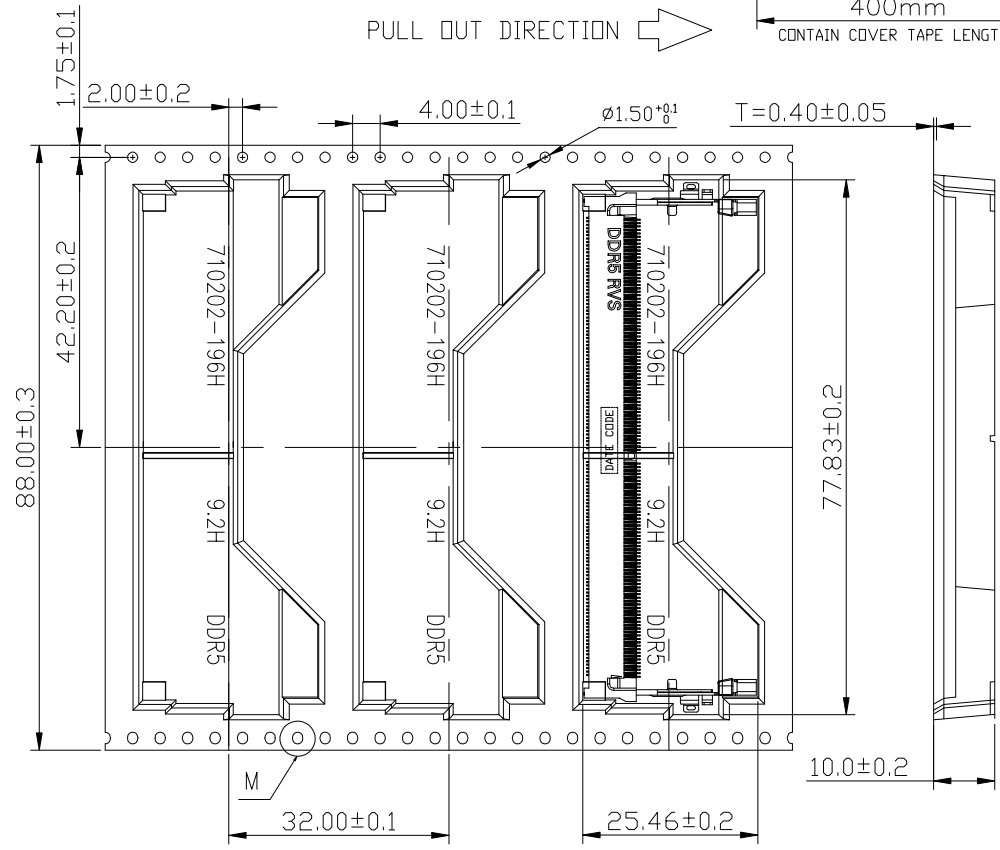
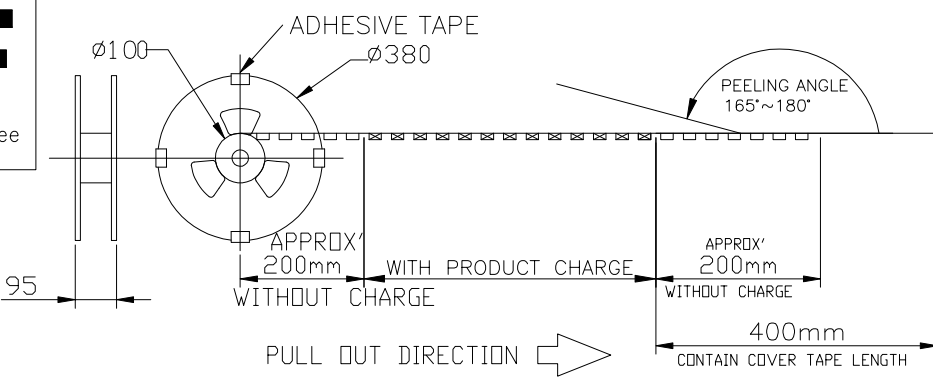
CUSTOMER DRAWING	DATE
DESIGN: HC	2022.04.06
CHECK:	
APPROVAL:	

TITLE	DATE
DDR5 SO DIMM 262PIN 9.2H RVS METAL LATCH C-DWG	
P/N: 567YD2-004HXSXR	
SHEET: 2/3	
SCALE: 1:1	UNIT: mm

HF
Halogen Free



ECN NO.	LOCATION	DESCRIPTION	DATE	DESIGN
X1		PRELIMINARY DRAWING	2022.04.06	HC



PCS/REEL	REEL/CARTON	PCS/CARTON	PART NUMBER
250	2	500	SEE P/N

DIM	TOL	DIM	TOL
x.	±0.50	x.'	±3'
.x	±0.35	.x'	±2'
.xx	±0.25	.xx'	±1'
.xxx	±0.15		

DEREN
SHENZHEN DEREN ELECTRONIC CO., LTD

CUSTOMER DRAWING		DATE		TITLE: DDR5 SO DIMM 262PIN 9.2H RVS METAL LATCH C-DWG	
DESIGN:	HC	2022.04.06	P/N:	567YD2-004HXRXXR	
CHECK:			SHEET:	3/3	
APPROVAL:			SCALE:	1:1	UNIT: mm

DRAW NO. SC2107855 REV. X1