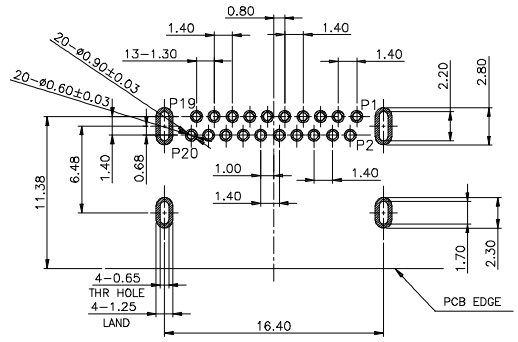
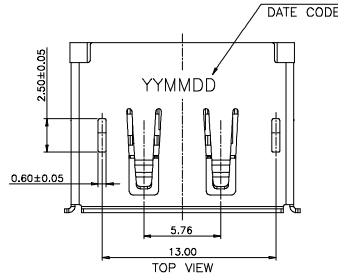


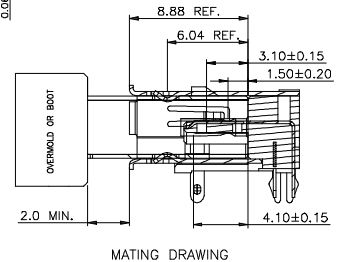
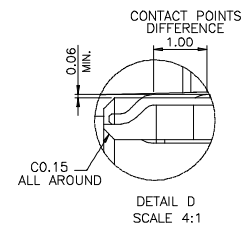
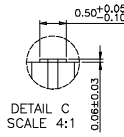
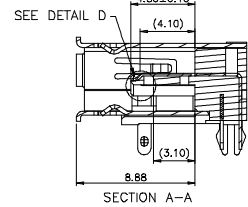
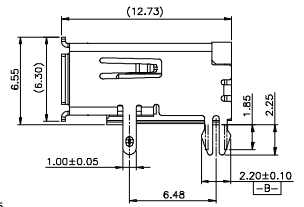
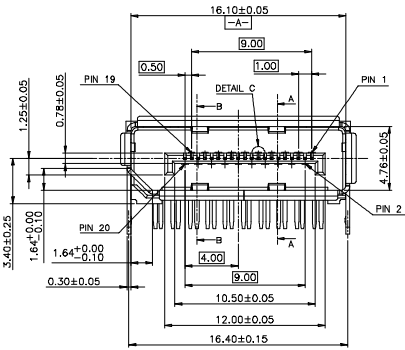
HF
Halogen Free



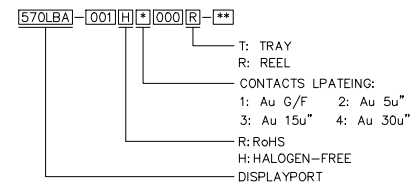
REV.	ECN NO.	LOCATION	DESCRIPTION	DATE	DESIGN
1			INITIAL RELEASE	2021.01.27	Alex_Z
2			UPDATE APPEARANCE	2021.05.07	Alex_Z



RECOMMENDED P.C.B. LAYOUT (COMPONENT SIDE VIEW)
TOL IS ±0.05 THK=1.60 ALL POSITION TOL



- NOTE:
- MATERIAL:
 - HOUSING: LCP E130I UL94V-0, COLOR: BLACK
 - CONTACT: COPPER ALLOY C2680, T=0.20mm
 - SHELL: STEEL ALLOY SUS304, T=0.30mm
 - PLATING:
 - TERMINAL:
 - GOLD PLATED(SEE TABLE) ON CONTACT AREA AND 2.54µm [100µ"] MIN. MATTE-TIN ON SOLDER TAIL, WITH ENTIRE CONTACT UNDERPLATED 1.27µm [50µ"] MIN.NICKEL.
 - SHELL:1.27µm [50µ"] MIN. NICKEL PLATED.
 - ELECTRICAL CHARACTERISTICS:
 - CONTACT CURRENT RATING:0.5A MIN. APPLIED VOLTAGE RATING:40V AC
 - CONTACT RESISTANCE:INITIAL 30 MILLIOHMS MAX AFTER TEST:CHANGE FROM INITIAL VALUE 30 MILLIOHMS MAX.
 - DIELECTRIC STRENGTH:UNMATED CONNECTORS APPLY 500V AC MATED CONNECTOR APPLY 300V AC
 - INSULATION RESISTANCE:100 MEGAOHMS MIN.(UNMATED) 10 MEGAOHMS MIN.(MATED)
 - MECHANICAL CHARACTERISTICS:
 - MATING FORCE:4.5KGF MAX.
 - UNMATING FORCE:1~4KGF.
 - DURABILITY:10000CYCLE.
 - INSERTION FORCE OF CONN INTO PCB 2.0KGF MAX
 - RECOMMENDED PROCESS:
 - WAVE SOLDER,PEAK TEMPERATURE 270°C,10SEC MAX.
 - REFLOW SOLDERING (SMD COMPONENT),OVEN TEMPERATURE:260°C,5SEC.
 - RoHS AND HALOGEN-FREE COMPLIANT.
 - SALT SPRAY 48HR PASS.



A
B
D
E

A
B
C
D
E



DEREN
SHENZHEN DEREN ELECTRONIC CO., LTD

DIM	TOL	DIM	TOL
.X	±0.38	x.	±2'
.XX	±0.25	.X	±1'
.XXX	±0.10		

DRAW NO.

REV. 2

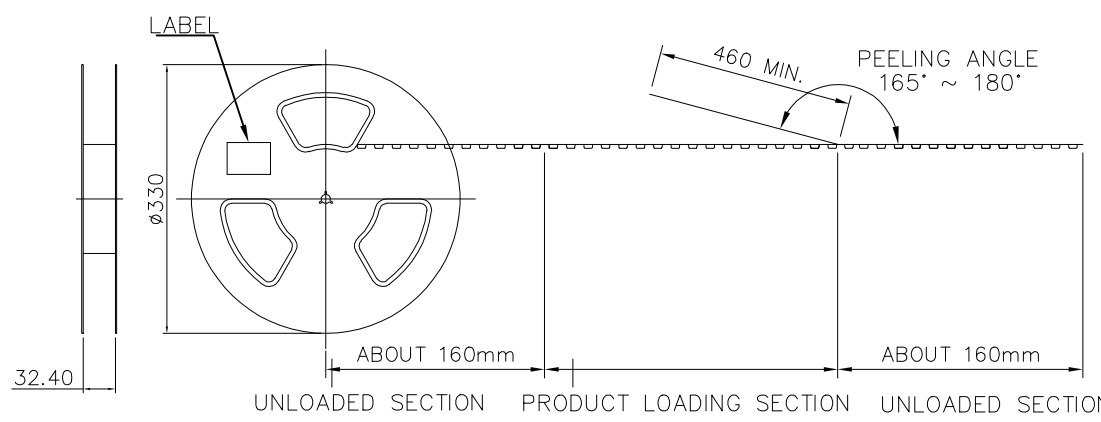
CUSTOMER DRAWING
DESIGN: Alex_Z
DATE: 2021.05.07
CHECK:
APPROVAL:

TITLE: DP FEMALE 20P 3.4CH STD DIP CONN
P/N: SEE TABLE
SHEET: 1/2
SCALE: 1:1
UNIT: mm

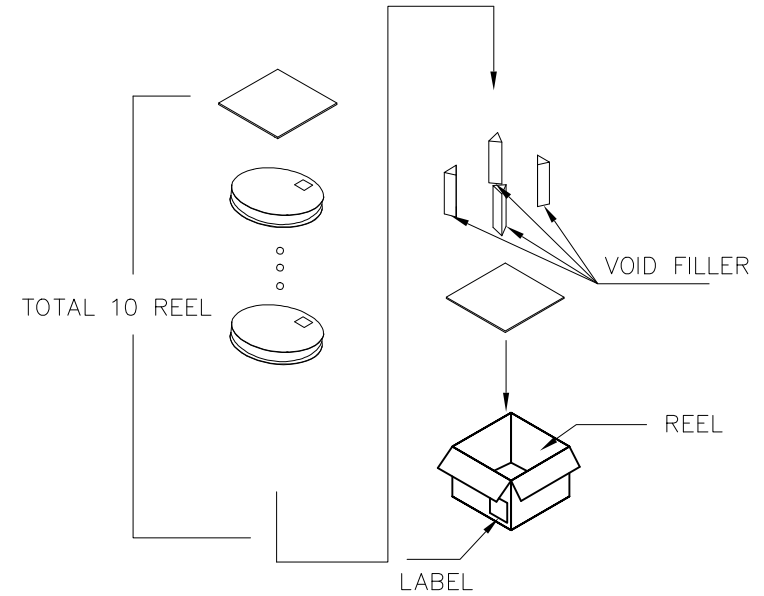
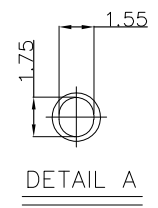
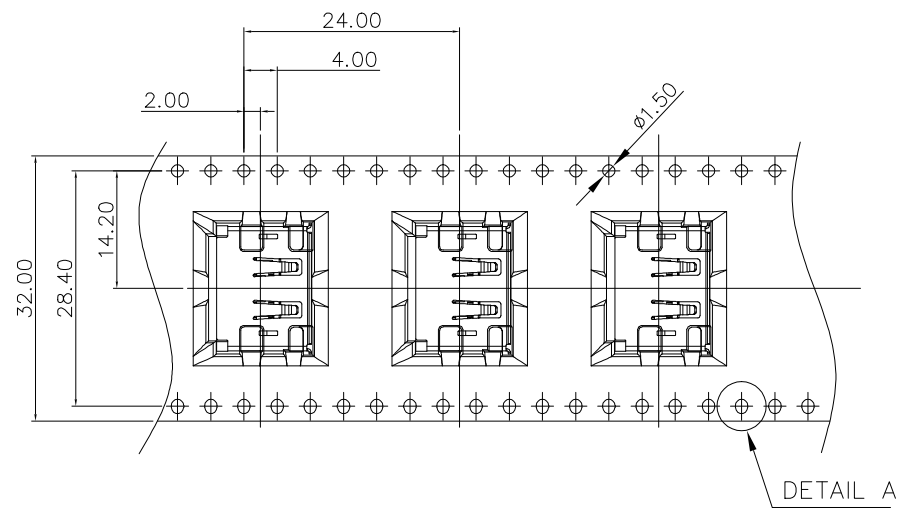
1 2 3 4 5 6 7 8

1 2 3 4 5 6 7 8

A
B
C
D
E




- NOTES :
- MATERIAL :
COVER TAPE : PS,
CARRIER TAPE : PS
REEL : PET/PS UL94V-0
CARTON: CORRUGATED FIBER
 - DIMENSION :
REEL : SEE DRAWING
BOX : SEE DRAWING
 - QUANTITY : SEE TABLE
 - PEELING RESISTANCE: 10gf~130gf
 - PEELING SPEED : 300mm/MINUTES



240	10	2400
PCS/REEL	REEL/BOX	TOTAL Q'TY

DIM	TOL	DIM	TOL
x.		x.	
.x			
.xx			

 DEREN SHENZHEN DEREN ELECTRONIC CO., LTD		CUSTOMER DRAWING		DATE	TITLE: DP FEMALE 20P 3.4CH STD DIP CONN
		DESIGN: Alex_Z	2021.05.07	P/N: SEE TABLE	
DRAW NO. ***		CHECK:		SHEET: 2/2	
REV. 2	APPROVAL:			SCALE: N/A	UNIT: mm

1 2 3 4 5 6 7 8