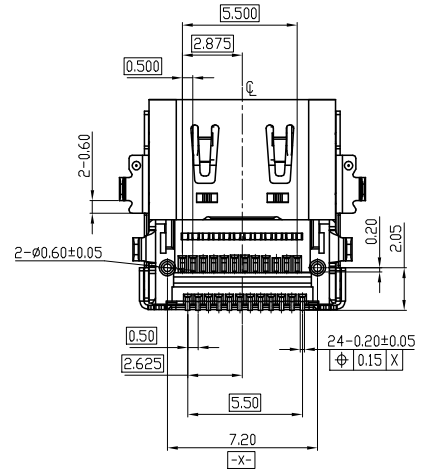
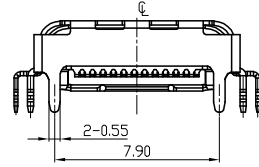
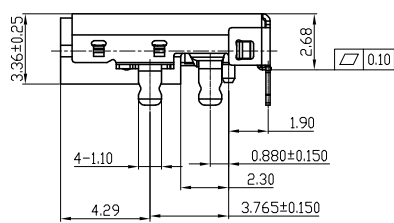
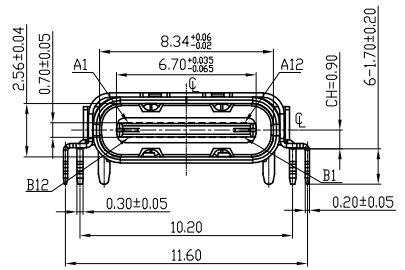
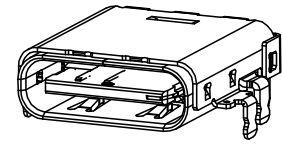
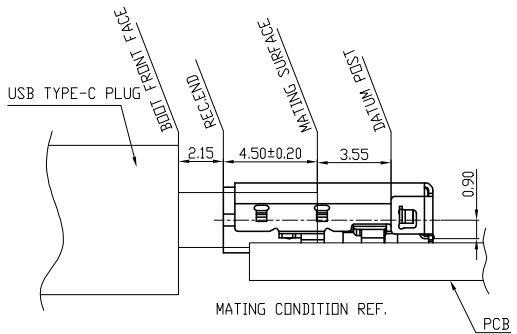
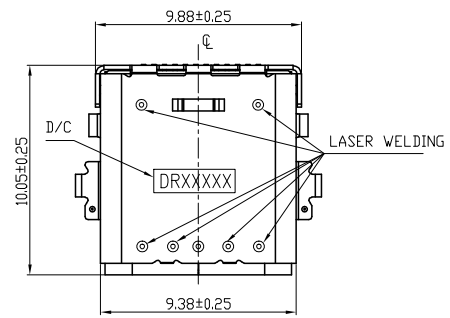


HF
Halogen Free



REV.	ECN NO.	LOCATION	DESCRIPTION	DATE	DESIGN
X1			INITIAL RELEASE	5/20'22	LiJunwen



ND.	PART NAME	MATERIAL	FINISH	Q'TY
6	OUTER SHELL	STAINLESS STEEL	50μ'NI ALL OVER	1
5	INNER SHELL	STAINLESS STEEL	50μ'NI ALL OVER	1
4	MID PLATE	STAINLESS STEEL	CLEAN	1
3	BOTTOM CONTACTS	COPPER ALLOY	50μ'NI ALL OVER/Au SEE NOTES MATTE TIN 80μ' IN SOLDER TAIL	12
2	TOP CONTACTS			12
1	HOUSING	LCP	BLACK, UL 94V-0	1

DIM	TOL	DIM	TOL
X.	±0.30	x.	±2'
.X	±0.25	.x	±1'
.XX	±0.15		
.XXX	±0.05		



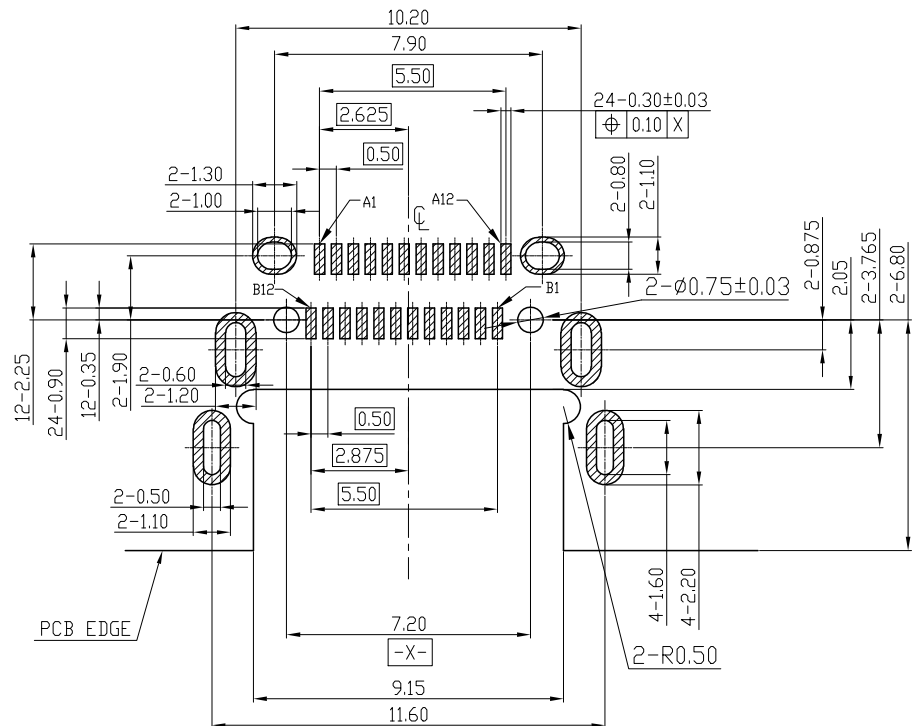
DEREN
SHENZHEN DEREN ELECTRONIC CO., LTD

DRAW NO.
SC2208166
REV. X1

CUSTOMER DRAWING
DESIGN: LiJunwen
CHECK:
APPROVAL:

DATE: 5/20'22
TITLE: USB TYPE C REC 24PIN
CH=0.9MM DUAL SMT CDNN
P/N: 560Q18-001H
SHEET: 1/3
SCALE: 1:1
UNIT: mm

REV.	ECN NO.	LOCATION	DESCRIPTION	DATE	DESIGN
SEE SHEET 1					



RECOMENED P.C.B LAYOUT

TOLERANCE:
±0.05

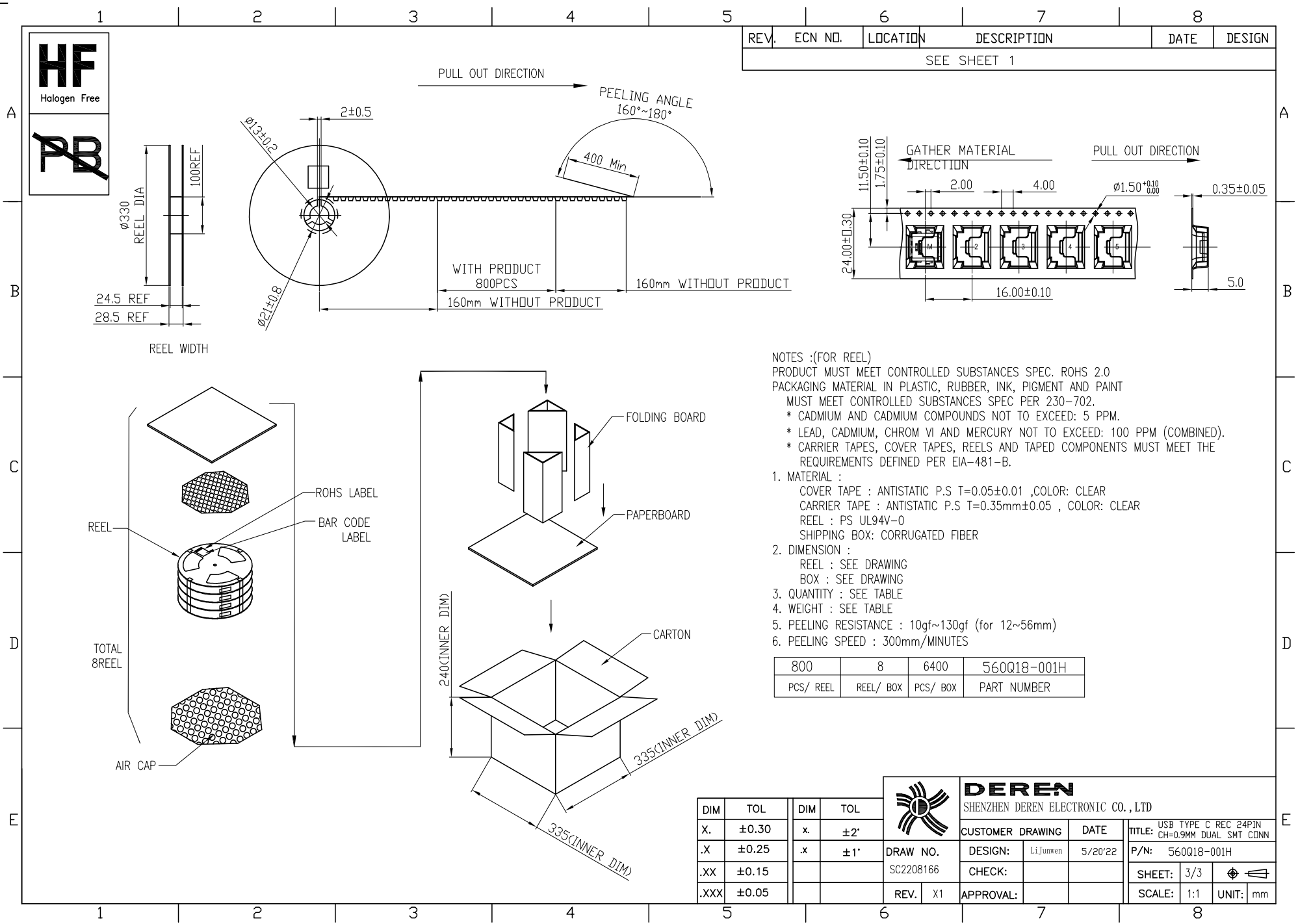
- NOTES:
- ELECTRICAL :
 - CONTACT CURRENT RATING :
5.0A FOR VBUS AND GND.
(i.e., Pins A4,A9,B4,B9)
1.25A FOR Vconn AND GND.
(i.e., Pins B5,A1,A12,B1,B12)
0.25A FOR ALL THE OTHERS CONTACTS.
 - INSULATION RESISTANCE :
100 MEGAHMS MIN. AT 250VDC.
 - DIELECTRIC WITHSTANDING VOLTAGE :
100VAC MIN.
 - LOW LEVEL CONTACT RESISTANCE :
INITIAL 40mΩ MAX.
AFTER 50mΩ MAX.
 - MECHANICAL CHARACTERISTICS :
 - INSERTION FORCE :5N~20N .
 - EXTRACTION FORCE :
6.9N MIN .
 - DURABILITY :10,000 MATING CYCLES.
 - OPERATING TEMPERATURE :-55°C TO +85°C
 - REFLOW SOLDER CAPABLE TO 260°C 10 SECONDS.

- 560Q18-001H
- HF:HALOGEN FREE
 - SHELL COLOR:
1:BRIGHT Ni
2:BLACK Ni
 - CONTACT PLATING CODE:
0: Au 30u"
1: Au 15u"
2: Au 10u"
3: Au 5u"
4: Gold Flash
 - LOGO CODE:
0: W/ DEREN LOGO
1: W/D LOGO
 - SERIES CODE

Pin	SIGNAL NAME	Pin	SIGNAL NAME
A1	GND	B12	GND
A2	SSTXp1	B11	SSRXp1
A3	SSTXn1	B10	SSRXn1
A4	VBUS	B9	VBUS
A5	CC1	B8	SBU2
A6	Dp1	B7	Dn2
A7	Dn1	B6	Dp2
A8	SBU1	B5	CC2
A9	VBUS	B4	VBUS
A10	SSRXn2	B3	SSTXn2
A11	SSRXp2	B2	SSTXp2
A12	GND	B1	GND

DIM	TOL	DIM	TOL	DEREN		SHENZHEN DEREN ELECTRONIC CO., LTD		
X.	±0.30	x.	±2'	DRAW NO. SC2208166	DESIGN: LiJunwen	DATE 5/20'22	TITLE: USB TYPE C REC 24PIN CH=0.9MM DUAL SMT CONN	
.X	±0.25	.x	±1'				CUSTOMER DRAWING	P/N: 560Q18-001H
.XX	±0.15						CHECK:	SHEET: 2/3
.XXX	±0.05			REV. X1	APPROVAL:	SCALE: 1:1	UNIT: mm	

REV.	ECN NO.	LOCATION	DESCRIPTION	DATE	DESIGN
SEE SHEET 1					



NOTES :(FOR REEL)
 PRODUCT MUST MEET CONTROLLED SUBSTANCES SPEC. ROHS 2.0
 PACKAGING MATERIAL IN PLASTIC, RUBBER, INK, PIGMENT AND PAINT
 MUST MEET CONTROLLED SUBSTANCES SPEC PER 230-702.
 * CADMIUM AND CADMIUM COMPOUNDS NOT TO EXCEED: 5 PPM.
 * LEAD, CADMIUM, CHROM VI AND MERCURY NOT TO EXCEED: 100 PPM (COMBINED).
 * CARRIER TAPES, COVER TAPES, REELS AND TAPED COMPONENTS MUST MEET THE
 REQUIREMENTS DEFINED PER EIA-481-B.

- MATERIAL :
 COVER TAPE : ANTISTATIC P.S T=0.05±0.01 ,COLOR: CLEAR
 CARRIER TAPE : ANTISTATIC P.S T=0.35mm±0.05 , COLOR: CLEAR
 REEL : PS UL94V-0
 SHIPPING BOX: CORRUGATED FIBER
- DIMENSION :
 REEL : SEE DRAWING
 BOX : SEE DRAWING
- QUANTITY : SEE TABLE
- WEIGHT : SEE TABLE
- PEELING RESISTANCE : 10gf~130gf (for 12~56mm)
- PEELING SPEED : 300mm/MINUTES

800	8	6400	560Q18-001H
PCS/ REEL	REEL/ BOX	PCS/ BOX	PART NUMBER

DIM	TOL	DIM	TOL
X.	±0.30	x.	±2'
.X	±0.25	.x	±1'
.XX	±0.15		
.XXX	±0.05		

DEREN
 SHENZHEN DEREN ELECTRONIC CO., LTD

DRAW NO.	DESIGN:	DATE	TITLE: USB TYPE C REC 24PIN CH=0.9MM DUAL SMT CONN
SC2208166	Li Junwen	5/20/22	P/N: 560Q18-001H
REV. X1	CHECK:		SHEET: 3/3
APPROVAL:			SCALE: 1:1 UNIT: mm