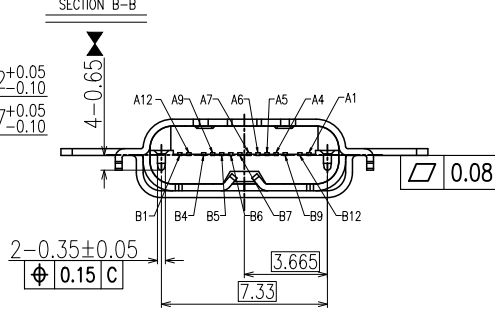
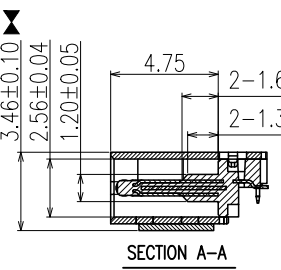
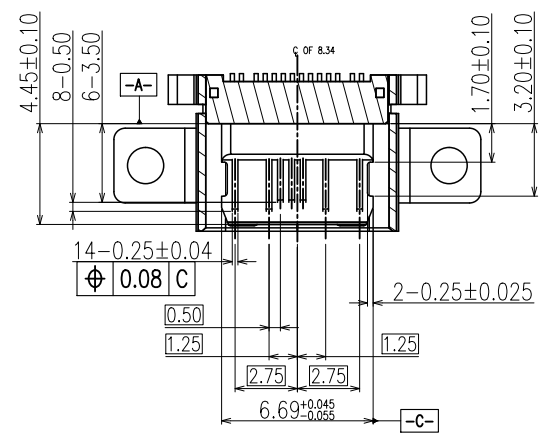
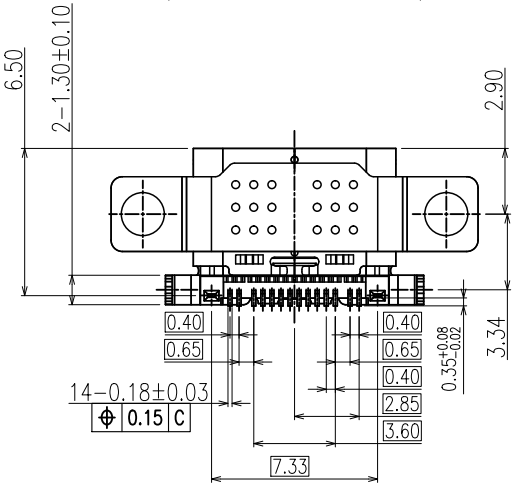
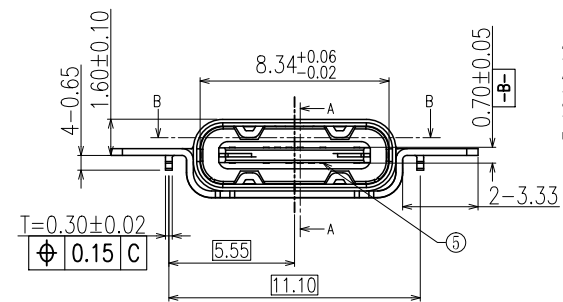
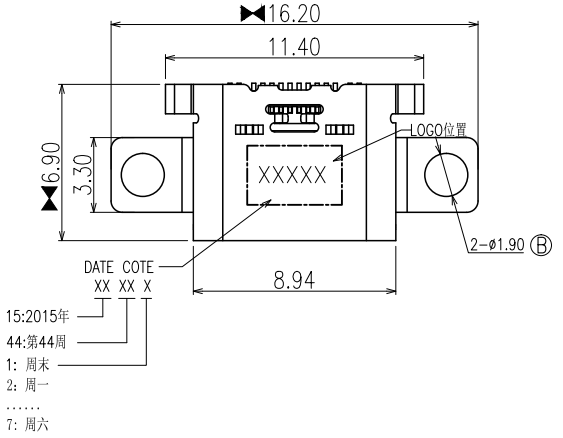


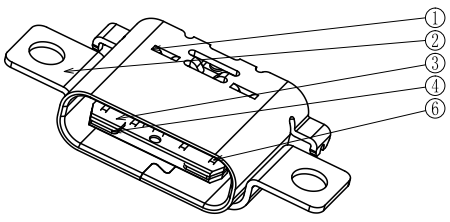


REV.	ECN NO.	LOCATION	DESCRIPTION	DATE	DESIGN
B		ⓑ	螺丝孔增大	09/04'18	陈海波
C		ⓒ	增加点焊保持力要求	11/15'18	陈海波



NOTES :

- ELECTRICAL :
 - CONTACT CURRENT RATING :
 - 5.0A FOR VBUS (Pins A4,A9,B4,B9)
 - 1.25A FOR Vconn (Pins B5,)
 - 6.25A FOR GND (Pins A1,A12,B1,B12)
 - 0.25A FOR ALL THE OTHERS CONTACTS.
 - INSULATION RESISTANCE :
 - 100 MEGAOHMS. AT 300VDC.
 - DIELECTRIC WITHSTANDING VOLTAGE :300VAC, 0.5mA .
 - LOW LEVEL CONTACT RESISTANCE :
 - INITIAL 40mΩ MAX. AFTER 50mΩ MAX.
- MECHANICAL CHARACTERISTICS :
 - INSERTION FORCE : 8N~25N .
 - EXTRACTION FORCE : 6N~25N.
 - DURABILITY : 10,000 MATING CYCLES.
 - OPERATING TEMPERATURE :-55°C TO +85°C
- "SHOWS CPK MEASUREMENT ITEM
- 点焊后焊点保持力100N min
- PART NUMBER INFORMATION:
 - 560E01-010H
 - HF:HALOGEN FREE
 - FLOW CODE
 - PIN: 14PIN
 - SERIES CODE: USB TYPE C



ITEM	PART NAME	QTY	MATERIAL	REMARK
⑥	TOP CONTACT	7 PCS	COPPER ALLOY	50u" MIN. NI UNDER PLATING. 1~3u". GOLD PLATING ON SOLDER AREA.
⑤	BOTTOM CONTACT	7 PCS	COPPER ALLOY	30u" MIN. GOLD PLATING ON CONTACT AREA.
④	MID PLATE	1 PCS	STAINLESS	50u" MIN. SOLDERABLE NI PLATING OVERALL.
③	HOUSING	1 PCS	LCP	COLOR BLACK;UL94V-0
②	OUT SHELL	1 PCS	STAINLESS	
①	MAIN SHELL	1 PCS	STAINLESS	50u" MIN. SOLDERABLE NI PLATING OVERALL.

DIM	TOL	DIM	TOL
.X	±0.30	.X	±3'
.X	±0.25	.X	±2'
.XX	±0.15		
.XXX	±0.10		

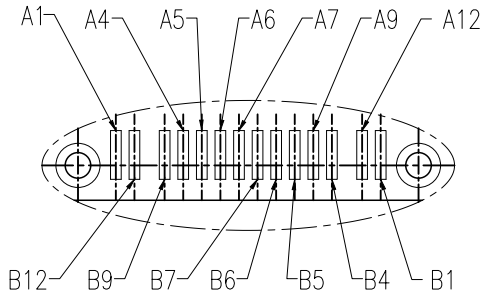
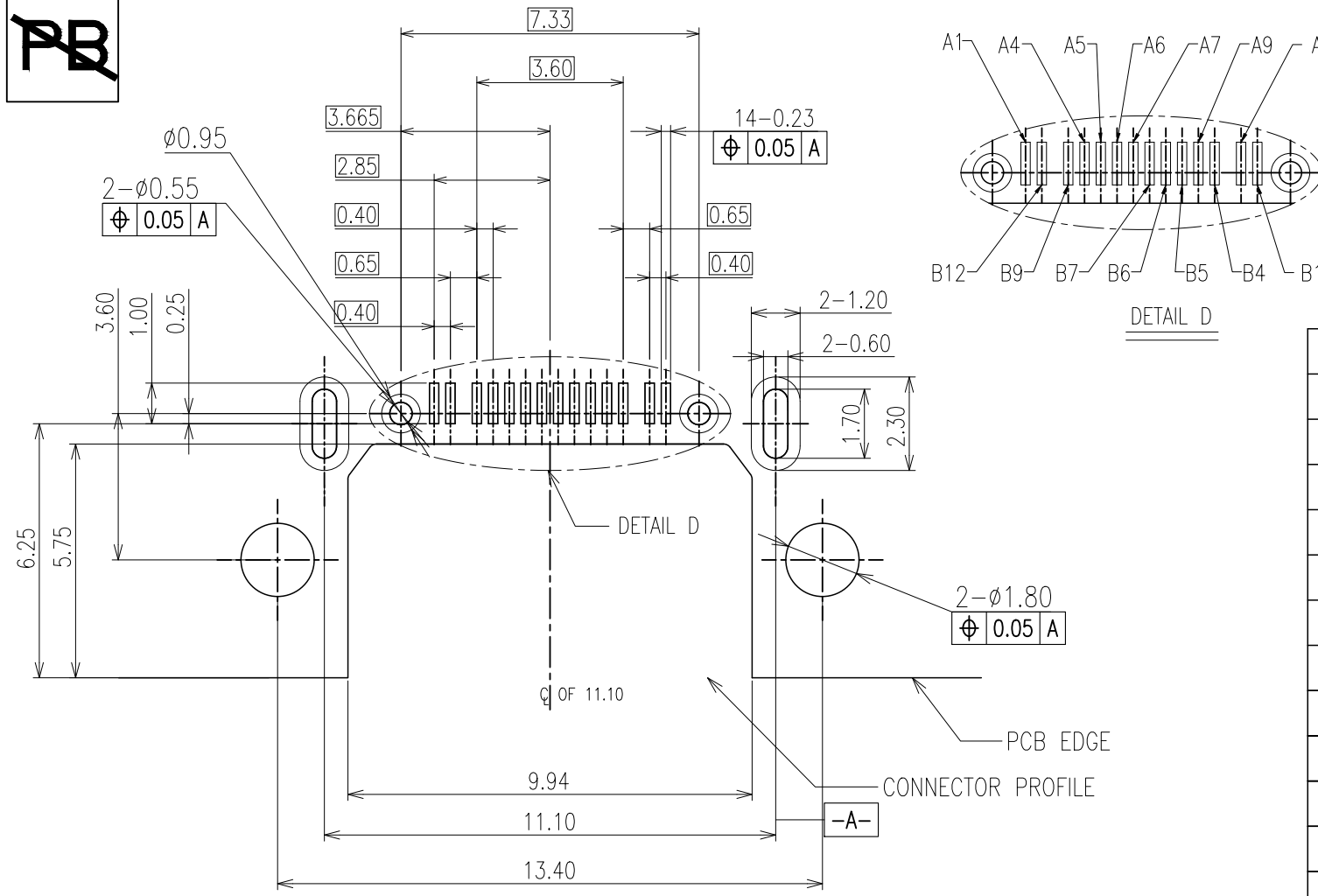
DEREN
SHENZHEN DEREN ELECTRONIC CO., LTD

INSPECTION DRAWING	DATE	TITLE: USB TYPE C REC 2.0 14PIN SINK CH=0.02mm CONN with ear
DESIGN: 陈海波	11/15'18	P/N:560E01-010H
CHECK:		SHEET: 1/3
APPROVAL:		SCALE: 1:1 UNIT: mm

DRAW NO. SC1800xxx



REV.	ECN NO.	LOCATION	DESCRIPTION	DATE	DESIGN
B	——	ⓑ	螺丝孔增大	09/04'18	陈海波
C	——	ⓒ	增加点焊保持力要求	11/15'18	陈海波



PIN	SIGNAL NAME	PIN	SIGNAL NAME
A1	GND	B12	GND
A2	——	B11	——
A3	——	B10	——
A4	VBUS	B9	VBUS
A5	CC1	B8	——
A6	Dp1	B7	Dn2
A7	Dn1	B6	Dp2
A8	——	B5	CC2
A9	VBUS	B4	VBUS
A10	——	B3	——
A11	——	B2	——
A12	GND	B1	GND

RECOMMENDED PCB LAYOUT
GENERAL TOLERANCE ±0.05

DIM	TOL	DIM	TOL
.X	±0.30	.X	±3'
.X	±0.25	.X	±2'
.XX	±0.15		
.XXX	±0.10		

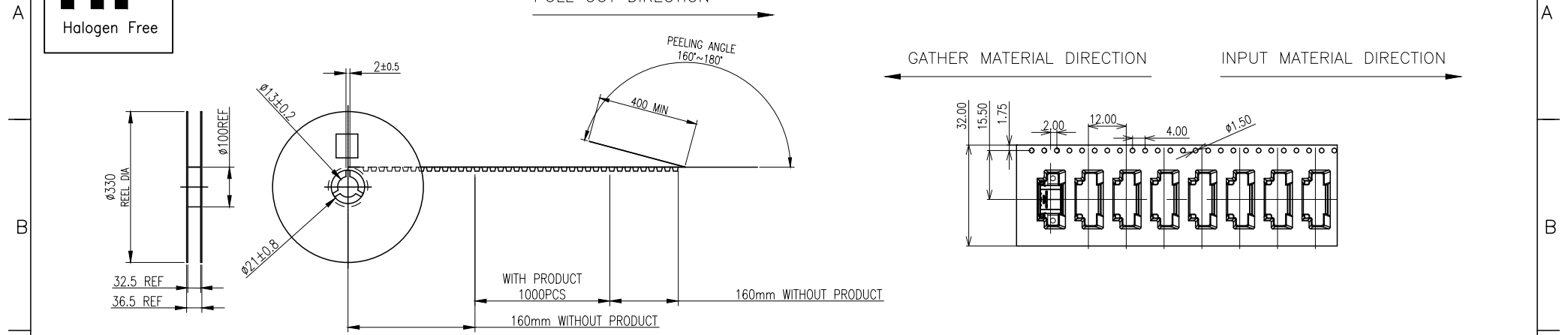


DEREN
SHENZHEN DEREN ELECTRONIC CO., LTD

INSPECTION DRAWING	DATE	TITLE: USB TYPE C REC 2.0 14PIN SINK CH=0.02mm CONN with ear
DESIGN: 陈海波	11/15'18	P/N: 560E01-010H
CHECK:		SHEET: 2/3
APPROVAL:		SCALE: 1:1 UNIT: mm



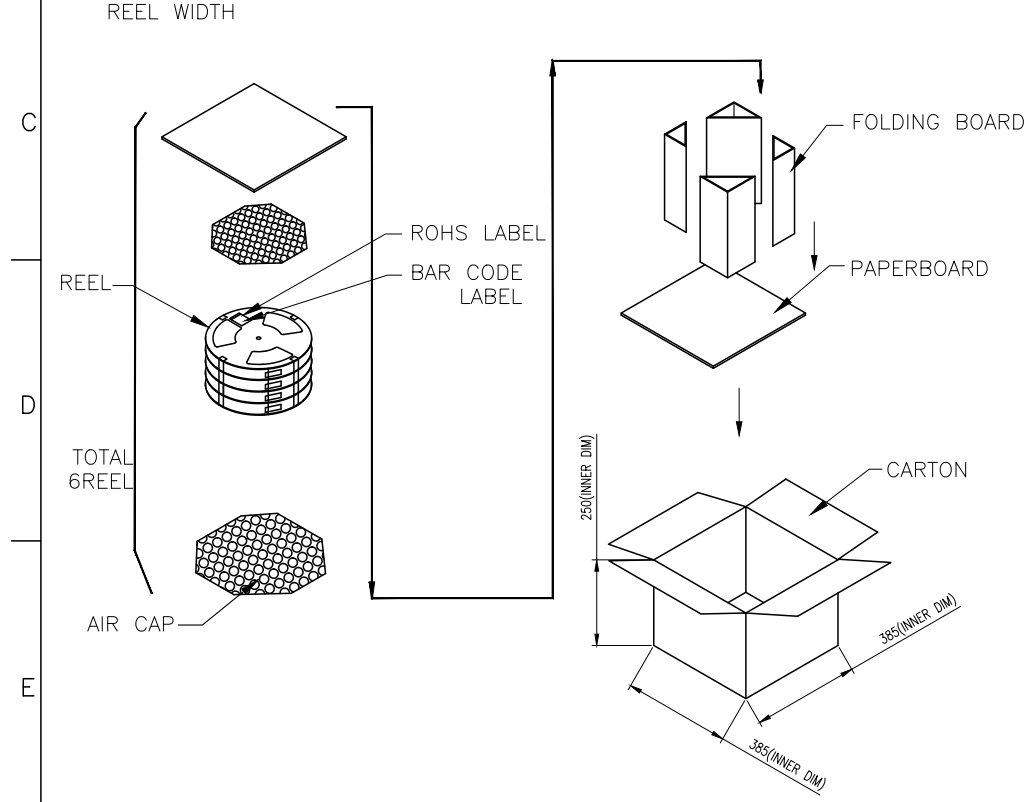
REV.	ECN NO.	LOCATION	DESCRIPTION	DATE	DESIGN
B		ⓑ	螺丝孔增大	09/04'18	陈海波
C		ⓒ	增加点焊保持力要求	11/15'18	陈海波



NOTES: (FOR REEL)
 PRODUCT MUST MEET CONTROLLED SUBSTANCES SPEC. ROHS 2.0
 PACKAGING MATERIAL IN PLASTIC, RUBBER, INK, PIGMENT AND PAINT
 MUST MEET CONTROLLED SUBSTANCES SPEC PER 230-702.
 * CADMIUM AND CADMIUM COMPOUNDS NOT TO EXCEED: 5 PPM.
 * LEAD, CADMIUM, CHROM VI AND MERCURY NOT TO EXCEED: 100 PPM (COMBINED).
 * CARRIER TAPES, COVER TAPES, REELS AND TAPED COMPONENTS MUST MEET THE
 REQUIREMENTS DEFINED PER EIA-481-B.

1. MATERIAL:
 COVER TAPE: ANTISTATIC PS T=0.05±0.01mm, COLOR: CLEAR
 CARRIER TAPE: ANTISTATIC PS T=0.40±0.05mm, COLOR: CLEAR
 REEL: PS UL94V-0
 SHIPPING BOX: CORRUGATED FIBER
2. DIMENSION:
 REEL: SEE DRAWING
 BOX: SEE DRAWING
3. QUANTITY: SEE TABLE
4. WEIGHT: SEE TABLE
5. PEELING RESISTANCE: 10gf~130gf (for 12~56mm)
6. PEELING SPEED: 300mm/MINUTES

①	1500	6	9000	560E01-010H
PCS/ REEL		REEL/ BOX	PCS/ BOX	PART NUMBER



DEREN
 SHENZHEN DEREN ELECTRONIC CO., LTD

DIM	TOL	DIM	TOL	DRAW NO. SC1800xxx	CUSTOMER DRAWING		DATE	TITLE: USB TYPE C REC 2.0 14PIN SINK CH=0.02mm CONN with ear	
.X		.X	±2'		REV. C	DESIGN:	Chen haibo	11/15' 18	P/N:560E01-010H
.XX	±0.30	.X	±1'	CHECK:				SHEET: 3/3	
.XXX				APPROVAL:				SCALE: 1:1	UNIT: mm