

**HF**

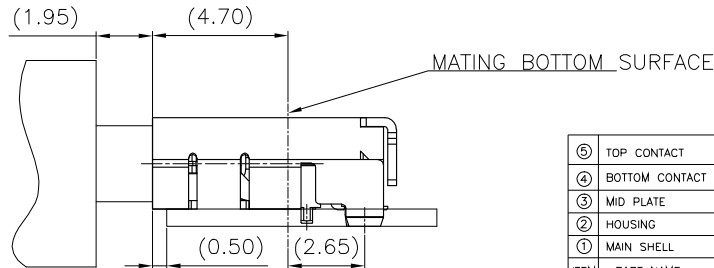
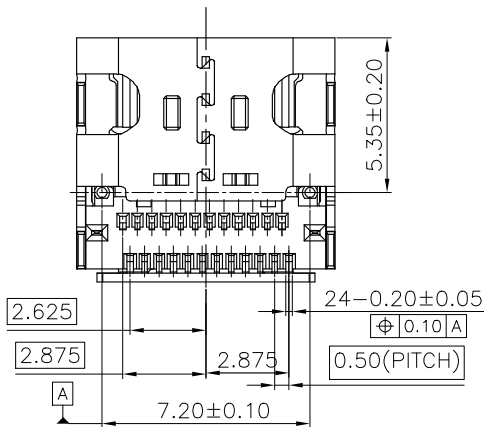
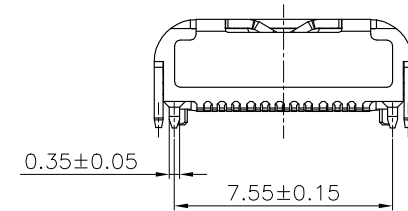
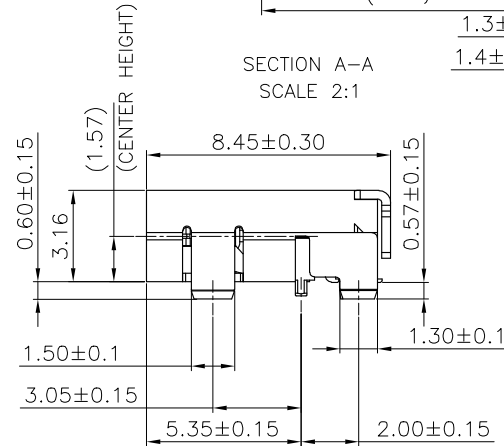
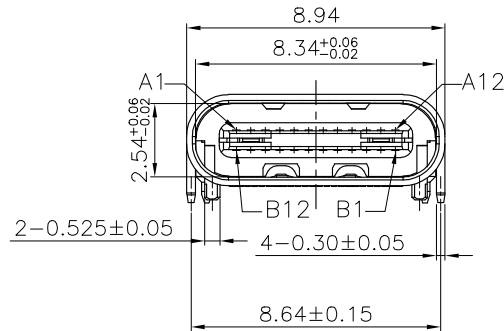
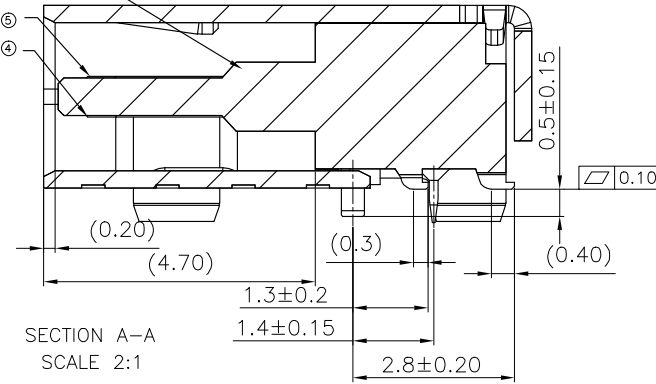
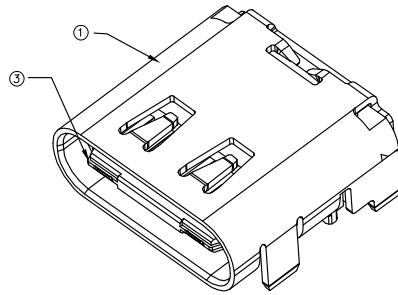
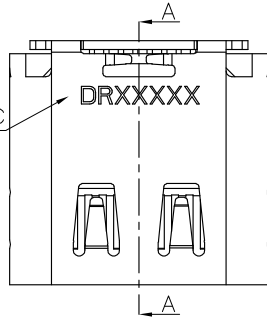
Halogen Free



DATE CODE:DR+D/C

DRXXXXX

REV.	ECN NO.	LOCATION	DESCRIPTION	DATE	DESIGN
B			PRODUCT UPGRADE	09/15'20	Chen haibo
C			PRODUCT UPGRADE	08/10'21	Chen haibo
D		ⓓ	ADD SHELL BLACK NI	01/07'22	Chen haibo



ITEM	PART NAME	QTY	MATERIAL	REMARK
⑤	TOP CONTACT	1 SET	COPPER ALLOY	50u" MIN. NI UNDER PLATING.
④	BOTTOM CONTACT	1 SET	COPPER ALLOY	80u" MIN. MATTE TIN PLATING ON SOLDER AREA. 30u" MIN. GOLD PLATING ON CONTACT AREA.
③	MID PLATE	1 PCS	STAINLESS	50u" MIN. SOLDERABLE NI PLATING OVERALL.
②	HOUSING	1 PCS	LCP	COLOR BLACK;UL94V-0
①	MAIN SHELL	1 PCS	STAINLESS	50u" MIN. NI PLATING OVERALL. COLOR(SEE PART NO.)



**DEREN**  
SHENZHEN DEREN ELECTRONIC CO., LTD

DIM	TOL	DIM	TOL
x.	±0,30	x.	±2'
.x	±0,20	.x	±1'
.xx	±0,10		
.xxx			

DRAW NO. SC2006554  
REV. D

CUSTOMER DRAWING  
DESIGN: Chen haibo  
CHECK:  
APPROVAL: Charlie

DATE: 01/07'22  
TITLE: USB Type C REC. TOP Mount C#1.57mm L#6.15 Dual SMT Type CONNECTOR  
P/N: 560016-00XH  
SHEET: 1/3  
SCALE: 1:1  
UNIT: mm



REV.	ECN NO.	LOCATION	DESCRIPTION	DATE	DESIGN
SEE SHEET 1					

NOTES :

- MATERIAL/FINISH:
  - HOUSING: LCP, UL 94V-0, BLACK COLOR;
  - CONTACT A/B: COPPER ALLOY,
  - CONTACT AREA REFER TO PART NUMBER;
  - SOLDER TAIL PLATED 100u"Min MATTE-TIN;
  - 50u"MIN NI UNDERPLATED OVERALL;
  - SHELL/GND PIN/MID SHIELD: STAINLESS STEEL;
  - Ni50u" Min PLATED OVERALL;
- ELECTRICAL :
  - CONTACT CURRENT RATING :
    - 5.0A FOR VBUS .  
(i.e., Pins A4,A9,B4,B9)
    - 1.25A FOR Vconn AND .  
(i.e., Pins B5)
    - 6.25A FOR GND.  
(i.e., Pins A1,A12,B1,B12)
    - 7.0A FOR VBUS .  
(i.e., Pins A4,A9,B4,B9)
    - 0.8A FOR Vconn AND GND.  
(i.e., Pins B5,)
    - 7.8A FOR GND.  
(i.e., Pins A1,A12,B1,B12)
  - INSULATION RESISTANCE :  
100 MEGAOHMS MIN. AT 100VDC.
  - DIELECTRIC WITHSTANDING VOLTAGE : 100VAC MIN.
  - LOW LEVEL CONTACT RESISTANCE :  
INITIAL 40mΩ MAX. AFTER 50mΩ MAX.
- MECHANICAL CHARACTERISTICS :
  - INSERTION FORCE : 5N~20N .
  - EXTRACTION FORCE : 8N~20N .
  - DURABILITY : 10,000 MATING CYCLES.
  - OPERATING TEMPERATURE : -55°C TO +85°C
- REFLOW SOLDER CAPABLE TO 260°C 10 SECS.
- Recommended stencil thickness: 0.12mm min.

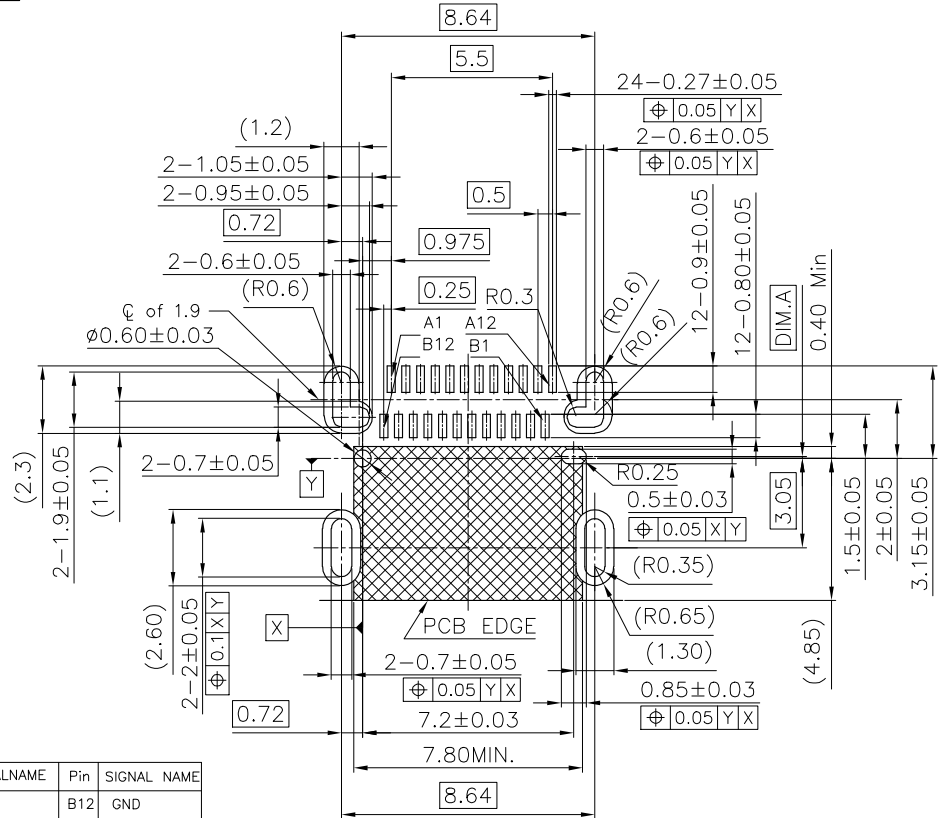
① 560Q16-00XH

HF: HALOGEN FREE

SHELL PLATING:

5: BRIGHT NI

7: BLACK NI



DIM.A	PCB.1	PCB.2
	0.000	0.065

RECOMMENDED PCB LAYOUT  
 1. TOP VIEW, PCB TOLERANCE: ±0.05  
 2. No PCB routing allowed in this area.

Pin	SIGNALNAME	Pin	SIGNAL NAME
A1	GND	B12	GND
A2	SSTXp1	B11	SSRXp1
A3	SSTXn1	B10	SSRXn1
A4	VBUS	B9	VBUS
A5	CC1	B8	SBU2
A6	Dp1	B7	Dn2
A7	Dn1	B6	Dp2
A8	SBU1	B5	CC2
A9	VBUS	B4	VBUS
A10	SSRXn2	B3	SSTXn2
A11	SSRXp2	B2	SSTXp2
A12	GND	B1	GND

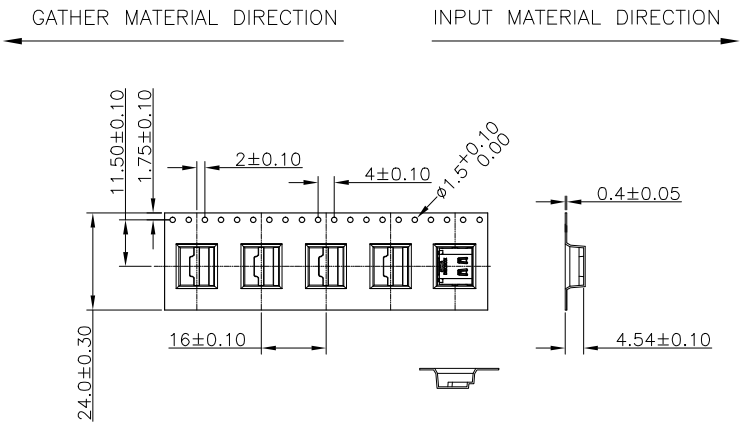
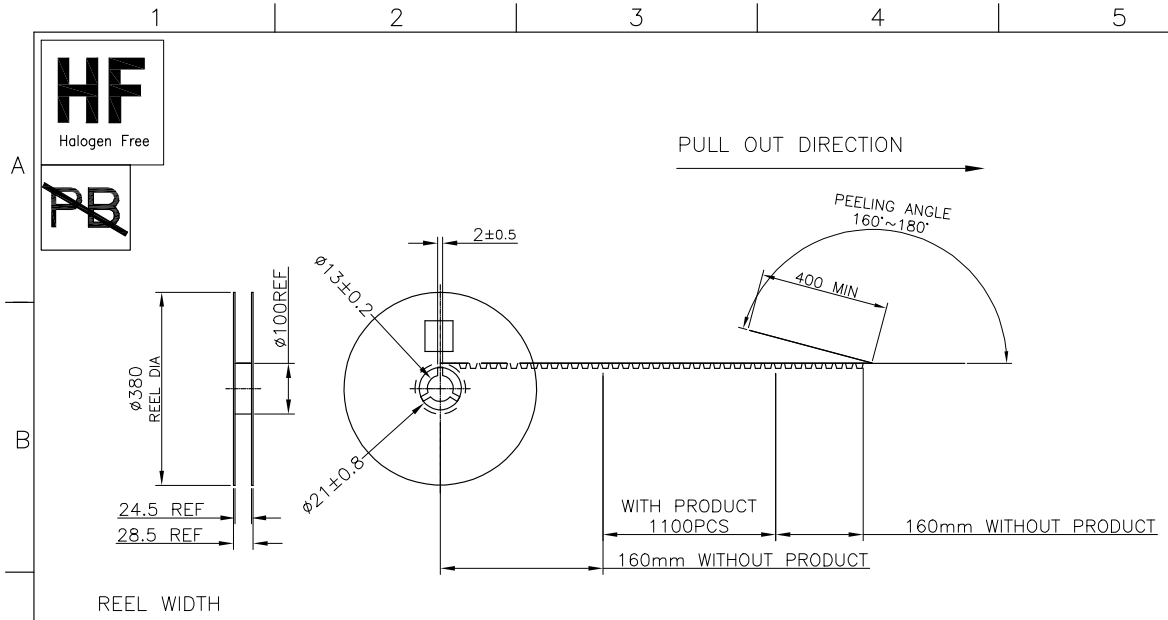
DIM	TOL	DIM	TOL
.x	±0.30	.x	±2'
.x	±0.20	.x	±1'
.xx	±0.10		
.xxx			



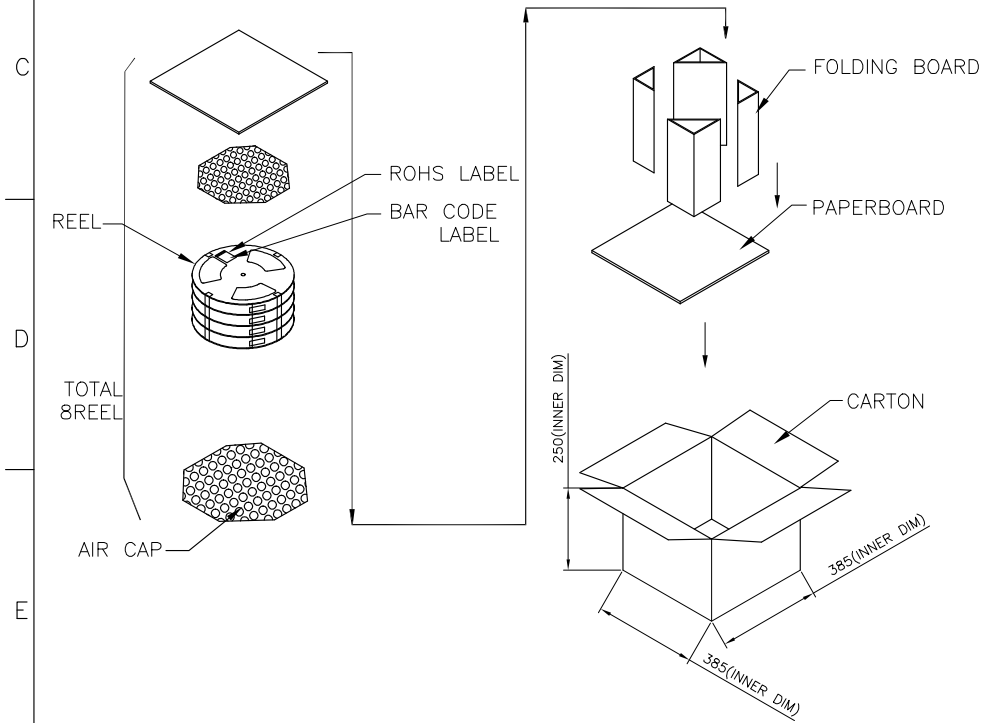
**DEREN**  
 SHENZHEN DEREN ELECTRONIC CO., LTD

CUSTOMER DRAWING	DATE	TITLE: USB Type C REC TOP Mount CH=1.57mm 1.4x0.15 Dual SMT Type CONNECTOR
DESIGN: Chen haibo	01/07'22	P/N: 560Q16-00XH
CHECK:		SHEET: 2/3
REV. D	APPROVAL: Charlie 01/07'22	SCALE: 1:1 UNIT: mm

REV.	ECN NO.	LOCATION	DESCRIPTION	DATE	DESIGN
SEE SHEET 1					




REEL WIDTH



NOTES :(FOR REEL)  
 PACKAGING MUST MEET CONTROLLED SUBSTANCES SPEC. ROHS 2.0  
 PACKAGING MATERIAL IN PLASTIC, RUBBER, INK, PIGMENT AND PAINT  
 MUST MEET CONTROLLED SUBSTANCES SPEC PER 230-702.  
 \* CADMIUM AND CADMIUM COMPOUNDS NOT TO EXCEED: 5 PPM.  
 \* LEAD, CADMIUM, CHROM VI AND MERCURY NOT TO EXCEED: 100 PPM (COMBINED).  
 \* CARRIER TAPES, COVER TAPES, REELS AND TAPED COMPONENTS MUST MEET THE  
 REQUIREMENTS DEFINED PER EIA-481-B.

- MATERIAL :  
 COVER TAPE : ANTISTATIC P.S T=0.05±0.01 ,COLOR: CLEAR  
 CARRIER TAPE : ANTISTATIC P.S T=0.40mm ±0.05  
 REEL : PS UL94V-0  
 SHIPPING BOX: CORRUGATED FIBER
- DIMENSION :  
 REEL : SEE DRAWING  
 BOX : SEE DRAWING
- QUANTITY : SEE TABLE
- WEIGHT : SEE TABLE
- PEELING RESISTANCE : 10gf~130gf (for 12~56mm)
- PEELING SPEED : 300mm/MINUTES

1100	8	8800	560Q16-00XH
PCS/ REEL	REEL/ BOX	PCS/ BOX	PART NUMBER

DIM		TOL		 <b>DEREN</b> SHENZHEN DEREN ELECTRONIC CO., LTD	CUSTOMER DRAWING		DATE	TITLE: USB Type C REC. TOP-Mount CHnl.57mm LxR15 Dual SMT Type CONNECTOR				
x.	±0.30	x.	±2'		DRAW NO.	DESIGN:	Chen haibo	01/07'22	P/N: 560Q16-00XH			
.x	±0.20	.x	±1'		SC2006554	CHECK:			SHEET:	3/3		
.xx	±0.10			REV.	D	APPROVAL:	Charlie	01/07'22	SCALE:	1:1	UNIT:	mm