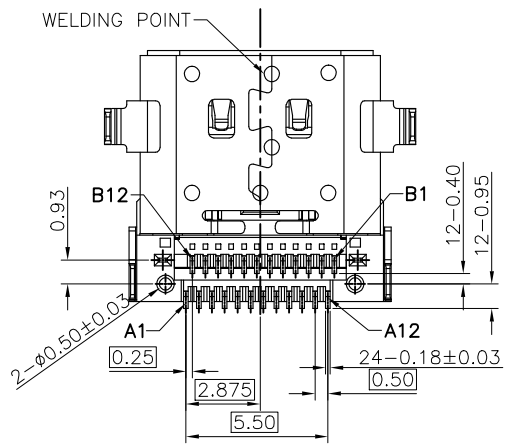
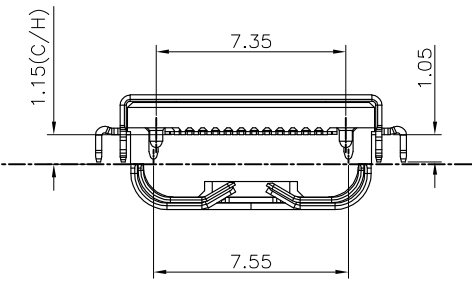
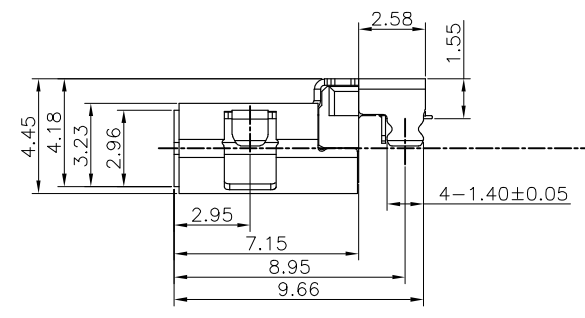
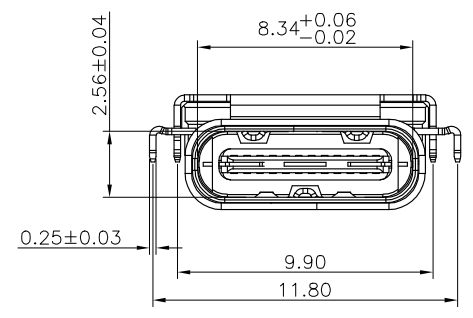


REV.	ECN NO.	LOCATION	DESCRIPTION	DATE	DESIGN
X1			INITIAL RELEASE	08/23'18	SUNDY
X2			ADD LOCATING HOLE	12/10'18	SUNDY
X3		△3	CHANGE LAYOUT	01/07'20	Chen haibo
X4		△4	ADD ANNOTATION	09/16'21	WWZ
X5		△5	ALTER VIEW	11/30'21	WWZ
X6		△6	ADD DIM	02/25'22	WWZ



⑤	CONTACT	24PCS	COOPER ALLOY	30u" GOLD PLATING ON CONTACT AREA 1u" GOLD FLASH ON SOLDER AREA 50u" MIN. Ni UNDER PLATED OVER ALL.
④	I/M	1PCS	LCP △4	UL94V-0, BLACK
③	MID_PLATE	1PCS	STAINLESS STEEL	50u" MIN Ni PLATED OVER ALL.
②	INSIDE SHELL	1PCS	STAINLESS STEEL	50u" MIN BLACK Ni PLATED OVER ALL.
①	OUTSIDE SHELL	1PCS	STAINLESS STEEL	50u" MIN BLACK Ni PLATED OVER ALL.
ITEM	PART NAME	Q'TY	MATERIAL	REMARK

DEREN
SHENZHEN DEREN ELECTRONIC CO., LTD

CUSTOMER DRAWING	DATE	TITLE: UC REC CH=-1.15 W/O EAR Dual SMT Type CONN
DESIGN: WWZ	02/25'22	P/N: 560Q17-002H
CHECK: Charles	02/25'22	SHEET: 1/3
APPROVAL: Smark	02/25'22	SCALE: 1:1 UNIT: mm

DIM	TOL	DIM	TOL
x.	±0.50	x.	±2'
.x	±0.30	.x	±1'
.xx	±0.20		
.xxx			

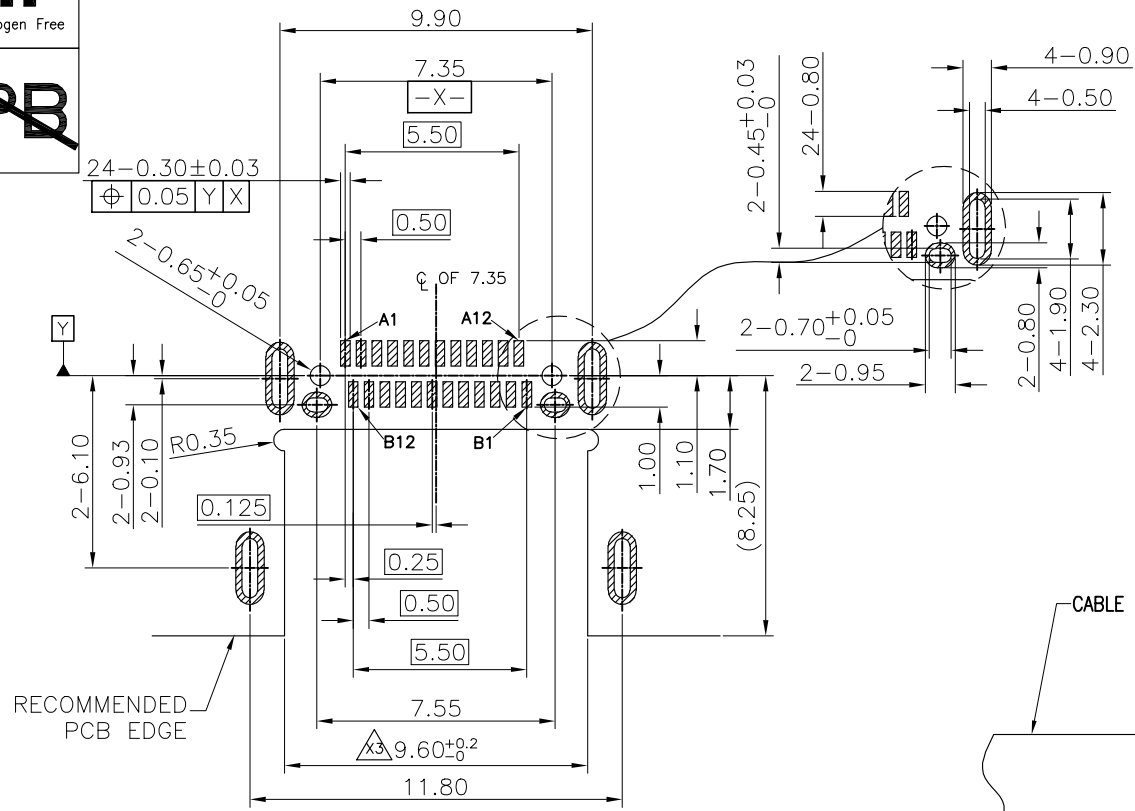
DRAW NO.
SC1804826

REV. X6

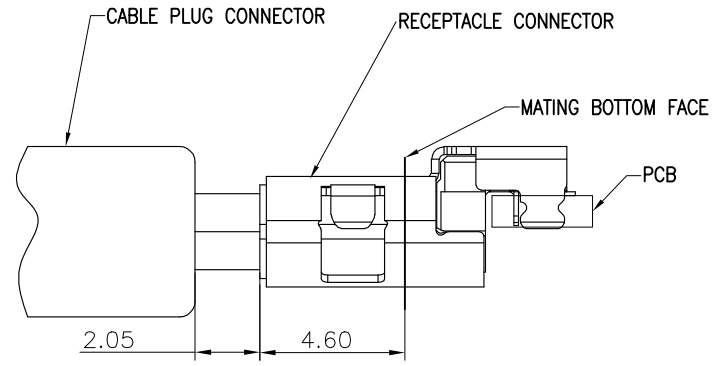


REV.	ECN NO.	LOCATION	DESCRIPTION	DATE	DESIGN
			SEE SHEET 1		

- NOTES:**
- MATERIAL:** SEE TABLE
 - ELECTRICAL PERFORMANCES:**
 - VOLTAGE RATING:** 20V DC MAX
 - CURRENT RATING:**
VBUS AND GND AT RATED OF 1.25A, PARALLELED FOR A TOTAL OF 5A.
 - LOW LEVEL CONTACT RESISTANCE:**
40mΩ MAX. FOR VBUS, GND AND OTHRE CONTACTS, 50mΩ MAX. FINAL AFTER TEST.
 - INSULATION RESISTANCE:** 500 MΩ MIN
 - DIELECTRIC WITHSTANDING VOLTAGE:**
SUBJECT A VOLTAGE OF 100V AC FOR 1MINUTE BETWEEN ADJACENT CONTACTS;
 - MECHANICAL PERFORMANCES:**
 - INSERTION FORCE:** 5N~20N.
 - EXTRACTION FORCE:** 8N~20N FROM 1 TO 1000 CYCLES. 6N~20N FROM 1001 TO 10000 CYCLES.
 - DURABILITY:** 10,000 CYCLES.
 - OPERATING TEMPERATURE:** -55°C TO +85°C
 - REFLOW SOLDER CAPABLE TO 260°C 10 SECS.**
 - PART NUMBER INFORMATION:** SEE TABLE
 - Recommended stencil thickness: 0.12mm min.**



RECOMMENDED PCB LAYOUT
PCB THICKNESS 1.0±0.05



MATING CONDITION

PIN NO.											
A1	A2	A3	A4	A5	A6	A7	A8	A9	A10	A11	A12
GND	SSTxp1	SSTxn1	Vbus	CC1	Dp1	Dn1	SBU1	Vbus	SSRxn2	SSRxp2	GND
GND	SSRxp1	SSRxn1	Vbus	SBU2	Dn2	Dp2	CC2	Vbus	SSTxn2	SSTxp2	GND
B12	B11	B10	B9	B8	B7	B6	B5	B4	B3	B2	B1

DIM				TOL				DRAW NO.		DESIGN:		DATE		TITLE: UC REC CH=-1.15 W/O EAR Dual SMT Type CONN	
.x				±0.50				SC1804825		WZ		02/25'22		P/N: 560017-002H	
.x				±0.30				REV. X6		Charles		02/25'22		SHEET: 2/3	
.xx				±0.20						Smark		02/25'22		SCALE: 1:1 UNIT: mm	
.xxx															

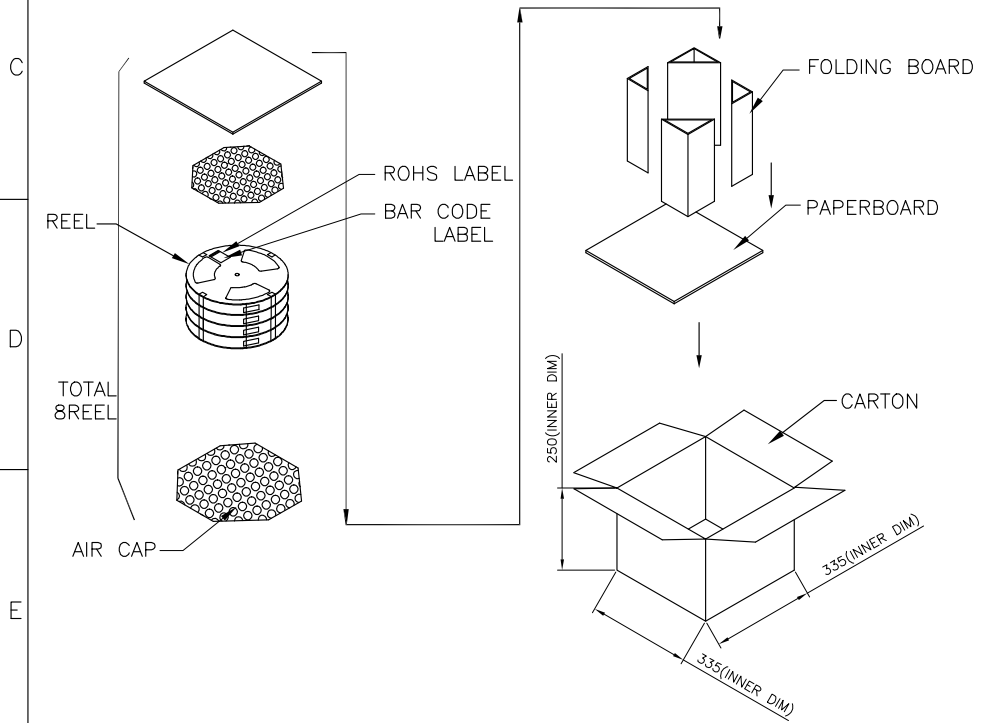
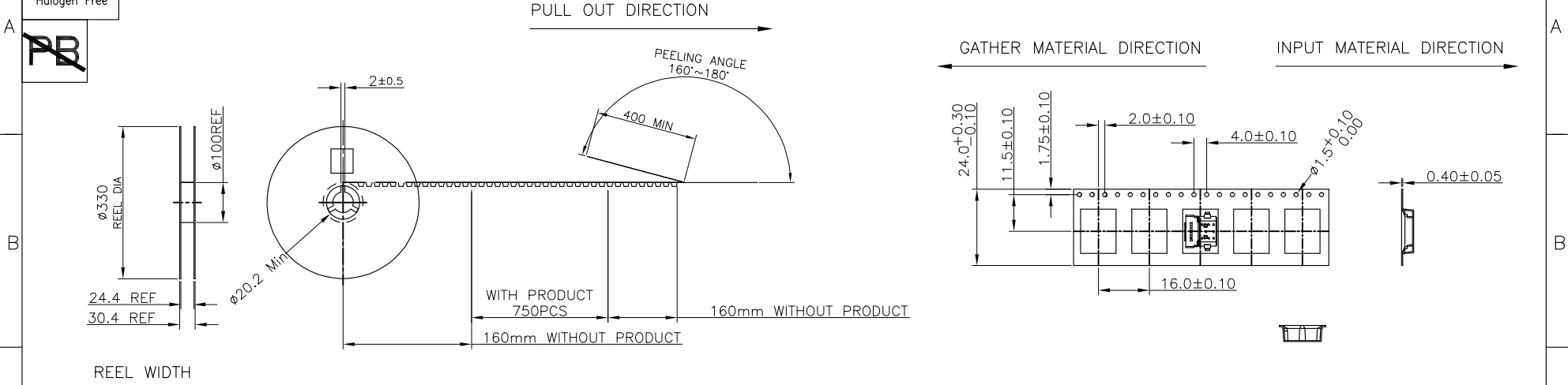


DEREN
SHENZHEN DEREN ELECTRONIC CO., LTD

A
B
C
D
E



REV.	ECN NO.	LOCATION	DESCRIPTION	DATE	DESIGN
			SEE SHEET 1		



NOTES: (FOR REEL)
 PRODUCT MUST MEET CONTROLLED SUBSTANCES SPEC. ROHS 2.0
 PACKAGING MATERIAL IN PLASTIC, RUBBER, INK, PIGMENT AND PAINT
 MUST MEET CONTROLLED SUBSTANCES SPEC PER 230-702.
 * CADMIUM AND CADMIUM COMPOUNDS NOT TO EXCEED: 5 PPM.
 * LEAD, CADMIUM, CHROM VI AND MERCURY NOT TO EXCEED: 100 PPM (COMBINED).
 * CARRIER TAPES, COVER TAPES, REELS AND TAPED COMPONENTS MUST MEET THE
 REQUIREMENTS DEFINED PER EIA-481-B.

- MATERIAL:
 COVER TAPE: ANTISTATIC PS T=0.05±0.01mm, COLOR: CLEAR
 CARRIER TAPE: ANTISTATIC PET T=0.40±0.05mm, COLOR: CLEAR
 REEL: PS UL94V-0
 SHIPPING BOX: CORRUGATED FIBER
- DIMENSION:
 REEL: SEE DRAWING
 BOX: SEE DRAWING
- QUANTITY: SEE TABLE
- WEIGHT: SEE TABLE
- PEELING RESISTANCE: 10gf~130gf (for 12~56mm)
- PEELING SPEED: 300mm/MINUTES

PCS/ REEL	REEL/ BOX	PCS/ BOX	PART NUMBER
750	8	6000	560Q17-002H

DIM		TOL		DEREN SHENZHEN DEREN ELECTRONIC CO., LTD	CUSTOMER DRAWING		DATE	TITLE: UC REC CH=-1.15 W/O EAR Dual SMT Type CONN	
x.	±0.50	x.	±2'		DRAW NO.	DESIGN:	WWZ	02/25'22	P/N: 560Q17-002H
.x	±0.30	.x	±1'	SC1804825	CHECK:	Charles	02/25'22	SHEET: 3/3	
.xx	±0.20			REV. X6	APPROVAL:	Smark	02/25'22	SCALE: 1:1 UNIT: mm	