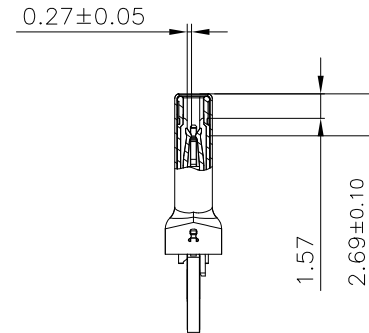
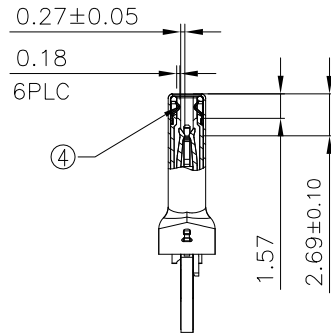
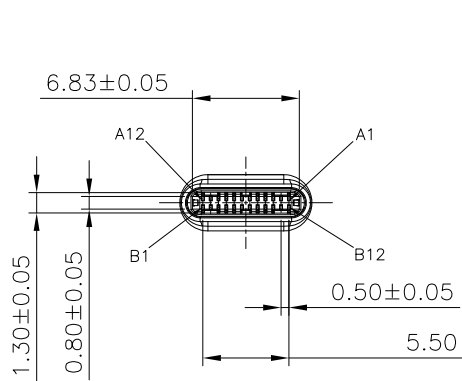


HF

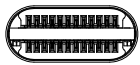
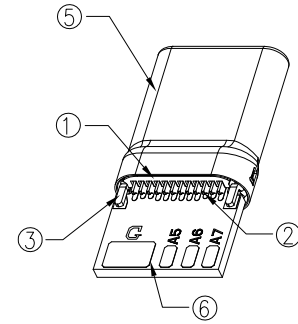
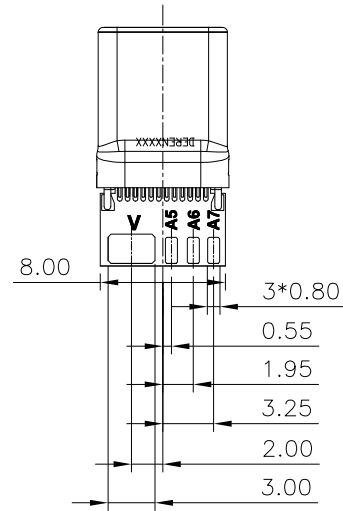
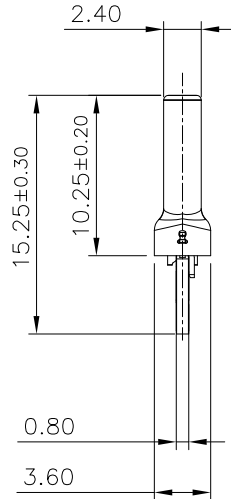
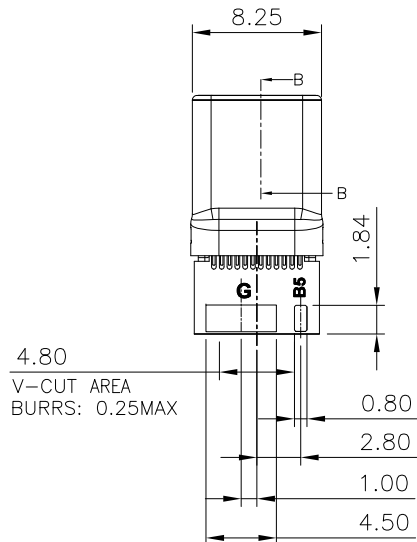
Halogen Free

REV.	ECN NO.	LOCATION	DESCRIPTION	DATE	DESIGN
A			INITIAL RELEASE	2017.03.14	Yanghao



SECTION B-B
SCALE 1:1
(WITH EMI SPRING)

SECTION B-B
SCALE 1:1
(WITHOUT EMI SPRING)



DIM	TOL	DIM	TOL
x.	±0.30	x.	±2°
.x	±0.25	.x	±1°
.xx	±0.15		



DEREN
SHENZHEN DEREN ELECTRONIC CO., LTD

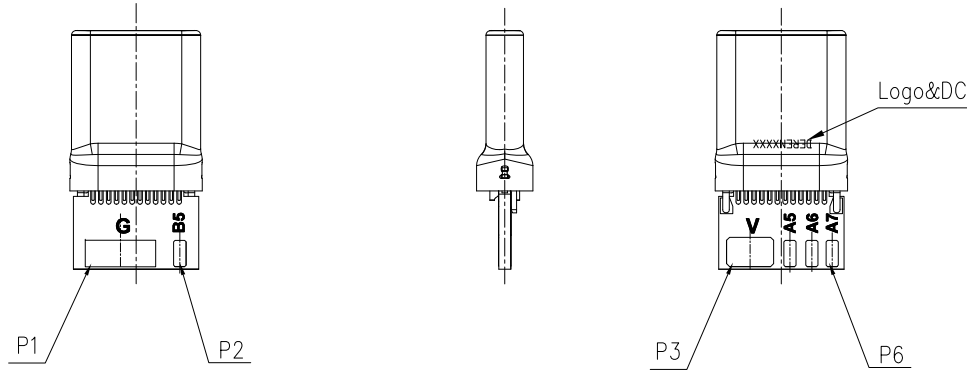
DRAW NO.
SC1701683
REV. A

CUSTOMER DRAWING
DESIGN: Yanghao
DATE: 2017.03.14
CHECK:
APPROVAL:

TITLE: USB TYPE C PLUG (TUBE) WITH PCB (C TO C 2.0 6PAD) ASSY
P/N: 40-42415-C24H*T**HF
SHEET: 1/4
SCALE: 1:1 UNIT: mm

HF
Halogen Free

REV.	ECN NO.	LOCATION	DESCRIPTION	DATE	DESIGN
A			INITIAL RELEASE	2017.03.14	Yanghao



CONTACT FIGURE:

CONN PIN	PCB PIN
A1,A12,B1,B12, SHELL	P1
B5	P2
B4,B9,A4,A9	P3
A5	P4
A6	P5
A7	P6

NOTES:


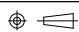
1. CABLE PAD(P1&P3) WITH TIN THICKNESS: 0.15~0.25mm
2. CABLE PAD OTHER PAD WITH TIN THICKNESS: 0.10~0.20mm

NOTE: PINS DESCRIPTION

A12	A11	A10	A9	A8	A7	A6	A5	A4	A3	A2	A1
GND	RX2+	RX2-	VBus	SBU1	D-	D+	CC	VBus	TX1-	TX1+	GND
GND	TX2+	TX2-	VBus	Vconn			SBU2	VBus	RX1-	RX1+	GND
B1	B2	B3	B4	B5	B6	B7	B8	B9	B10	B11	B12

PLUG FRONT VIEW

DIM	TOL	DIM	TOL
x.	±0.30	x.	±2°
.x	±0.25	.x	±1°
.xx	±0.15		

	DEREN SHENZHEN DEREN ELECTRONIC CO., LTD		
	CUSTOMER DRAWING	DATE	TITLE: USB TYPE C PLUG (TUBE) WITH PCB(C TO C 2.0 6PAD) ASSY
	DESIGN: Yanghao	2017.03.14	P/N: 40-42415-C24H*T***HF
	CHECK:		SHEET: 2/4 
REV. A	APPROVAL:		SCALE: 1:1 UNIT: mm

HF

Halogen Free

REV.	ECN NO.	LOCATION	DESCRIPTION	DATE	DESIGN
A			INITIAL RELEASE	2017.03.14	Yanghao

NOTES:

1.MATERIAL

- 1.1 HSG: HIGH TEMPERATURE THERMOPLASTIC UL94V-0; COLOR: SEE TABLE;
- 1.2 CONTACT: COPPER ALLOY
- 1.3 LATCH: STAINLESS STEEL
- 1.4 EMI SPRING: STAINLESS STEEL
- 1.5 SHELL: STEEL
- 1.6 PCB: FR4 4 LAYERS PATING GOLD

2. FINISH:

- 2.1 CONTACT:
SEE TABLE MIN, Au PLATING ON CONTACT AREA.
100u" [2.54um] MIN. TIN PLATING ON SOLDER TAIL AREA.
80u" [2.03um] MIN. NICKEL UNDERPLATING ON ALLOVER AREA.
- 2.2 SHELL
SEE TABLE
- 2.3 LATCH:
100u" [2.54um] MIN. TIN PLATING ON SOLDER TAIL AREA.
50u" [1.27um] MIN. NICKEL UNDERPLATING ON ALLOVER AREA.

3. MATING FORCE: 5~20N; UNMATING FORCE: 8~20N(0~1000 CYCLES)AND 6~20N AFTER 10000 CYCLES.

4. DIELECTRIC WITHSTANDING VOLTAGE: 300V AC/MINUTE FOR PER PIN.

5. INSULATION RESISTANCE: 100M OHM BETWEEN ADJACENT CONTACTS AT 300V DC .

6. TEMPERATURE RISING: 5A 30°C FOR VBus AND GND PIN.

7. DATE CODE INFORMATION:

DEREN XX X X

ASSEMBLY LINE

DAY: 1~7 (SUN:1;MON:2)

WEEK: 01~53

LOGO: DEREN

8. PART NUMBER INFORMATION:

40-42415- C24 H * T * * * HF

HALOGEN CODE:

HF: HALOGEN FREE

SHELL PLATING:

0: PEARL NICKEL

1: NICKEL

2: GOLD(G/F)

3: SAND BLAST

LOGO:

0: WITH LOGO & WITHOUT EMI SPRING

1: WITHOUT LOGO & WITHOUT EMI SPRING

2: WITH LOGO & WITH EMI SPRING

3: WITHOUT LOGO & WITH EMI SPRING

HOUSING COLOR:

0: BLACK

1: WHITE

2: RED

3: YELLOW

PACKAGE CODE:

T: TRAY PACKING

PLATING CODE:

1: Au:30u"

2: G/F

3: Au:5u"

4: Au:10u"

5: Au:15u"

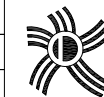
ASSY MOLD:

H: PCB FOR CU2.0 C2C 6PAD W=8.0mm

PIN NUMBER CODE:

C24: 24PINS

DIM	TOL	DIM	TOL
x.	±0.30	x.	±2°
.x	±0.25	.x	±1°
.xx	±0.15		

**DEREN**

SHENZHEN DEREN ELECTRONIC CO., LTD

CUSTOMER DRAWING		DATE		TITLE: USB TYPE C PLUG (TUBE) WITH PCB(C TO C 2.0 6PAD) ASSY	
DESIGN:	Yanghao	2017.03.14		P/N: 40-42415-C24H*T***HF	
CHECK:				SHEET:	3/4
APPROVAL:				SCALE:	1:1 UNIT: mm

DRAW NO.
SC1701683

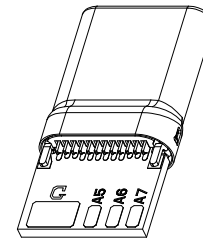
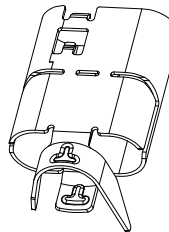
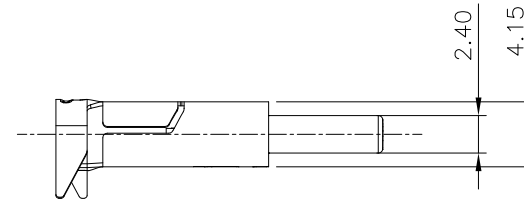
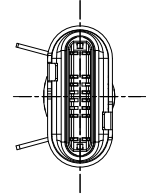
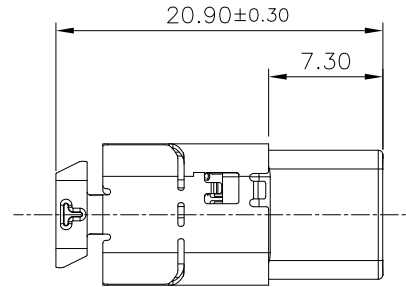
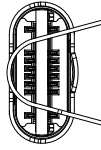
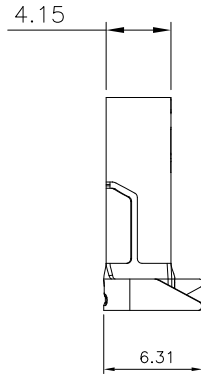
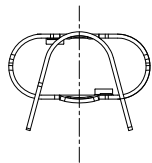
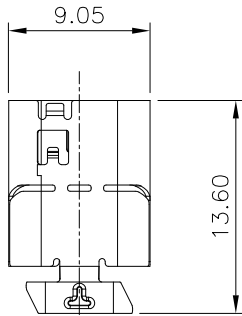
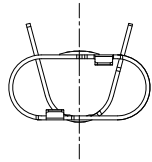
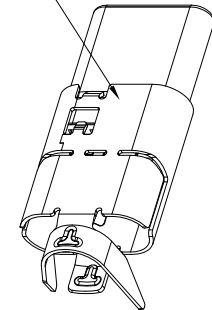
REV. A

HF

Halogen Free

MATED CABLE SHELL DRAWING

Cable shell P/N: 560Q02-004R

Spot welding Area
Both Surface

REV.	ECN NO.	LOCATION	DESCRIPTION	DATE	DESIGN
A			INITIAL RELEASE	2017.03.14	Yanghao

DIM	TOL	DIM	TOL
x.	±0.30	x.	±2°
.x	±0.25	.x	±1°
.xx	±0.15		

**DEREN**
SHENZHEN DEREN ELECTRONIC CO., LTDDRAW NO.
SC1701683

REV. A

CUSTOMER DRAWING	DATE
DESIGN: Yanghao	2017.03.14
CHECK:	
APPROVAL:	

TITLE: USB TYPE C PLUG (TUBE) WITH PCB(C TO C 2.0 6PAD) ASSY			
P/N: 40-42415-C24H*T**HF			
SHEET: 4/4			
SCALE: 1:1	UNIT: mm		