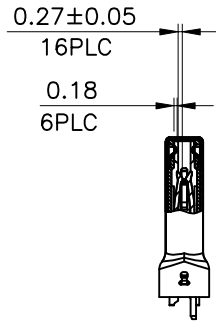
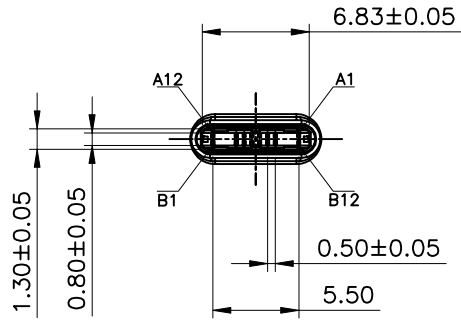
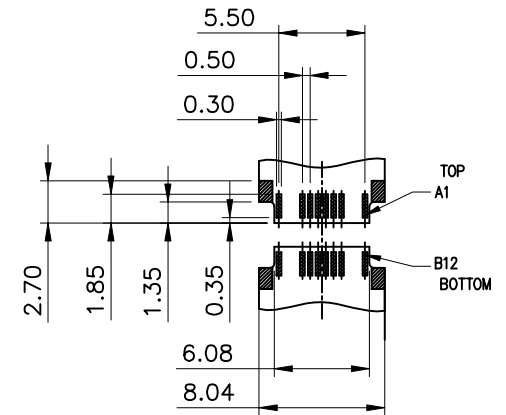
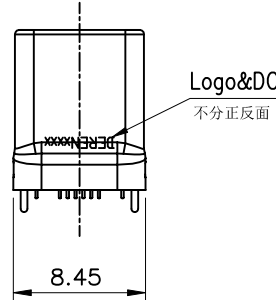
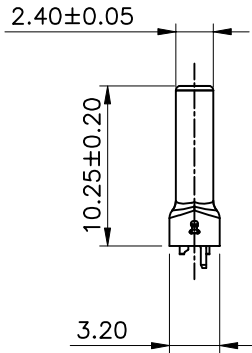
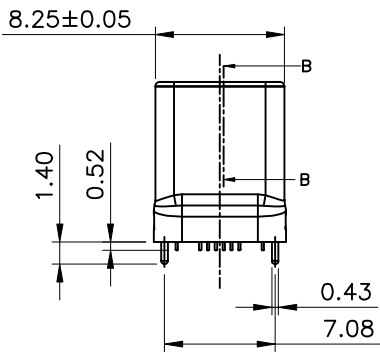
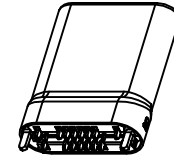


HF
Halogen Free

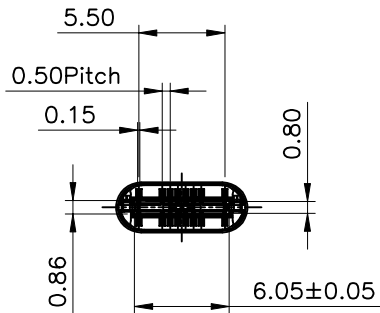
REV.	ECN NO.	LOCATION	DESCRIPTION	DATE	DESIGN
X1			INITIAL RELEASE	2020.01.08	Liangkeyao



SECTION B-B
SCALE 1:1



RECOMMEND P.C.B LAYOUT
TOLERANCES: ± 0.05 ;
PCB T=0.80mm



DIM	TOL	DIM	TOL
x	± 0.30	x	$\pm 2^{\circ}$
.x	± 0.25	.x	$\pm 1^{\circ}$
.xx	± 0.15		



DEREN
SHENZHEN DEREN ELECTRONIC CO., LTD

DRAW NO. ***	CUSTOMER DRAWING	DATE	TITLE: UC PLUG CLOSE 1 ASSY 3.2H 16PIN_ONLY CONN
	DESIGN: Liangkeyao	2020.01.08	P/N: 40-42487-CB00xxxxxxx
REV. X1	CHECK:		SHEET: 1/3
	APPROVAL:		SCALE: 1:1 UNIT: mm

HF

Halogen Free

REV.	ECN NO.	LOCATION	DESCRIPTION	DATE	DESIGN
X1			INITIAL RELEASE	2020.01.08	Liangkeyao

NOTES:

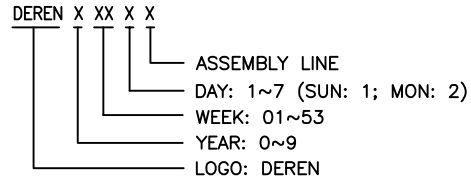
1. MATERIAL

- 1.1 HSG: HIGH TEMPERATURE THERMOPLASTIC UL94V-0
COLOR: SEE PART NUMBER INFORMATION
- 1.2 CONTACT: COPPER ALLOY
- 1.3 LATCH: STAINLESS STEEL
- 1.4 EMI SPRING: STAINLESS STEEL
- 1.5 SHELL: STAINLESS STEEL

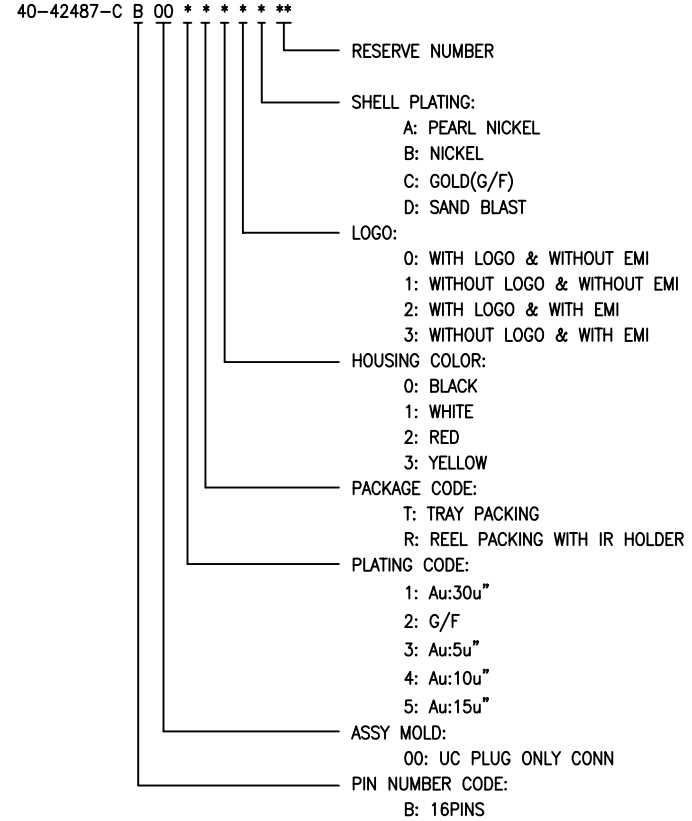
2. FINISH:

- 2.1 CONTACT:
SEE PART NUMBER INFORMATION, Au MIN PLATING ON CONTACT AREA.
100u" [2.54um] MIN. TIN PLATING ON SOLDER TAIL AREA.
50u" [1.27um] MIN. NICKEL. UNDERPLATING ON ALLOVER AREA.
- 2.2 SHELL
SEE PART NUMBER INFORMATION
- 2.3 LATCH:
100u" [2.54um] MIN. TIN PLATING ON SOLDER TAIL AREA.
50u" [1.27um] MIN. NICKEL. UNDERPLATING ON ALLOVER AREA.

3. DATE CODE INFORMATION:



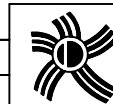
4. PART NUMBER INFORMATION:



**PINS DESCRIPTION
PLUG FRONT VIEW**

A12	A11	A10	A9	A8	A7	A6	A5	A4	A3	A2	A1
GND			VBus	SBU1	D-	D+	CC	VBus			GND
GND			VBus	Vconn			SBU2	VBus			GND
B1	B2	B3	B4	B5	B6	B7	B8	B9	B10	B11	B12

DIM	TOL	DIM	TOL
x	±0.30	x	±2*
.x	±0.25	.x	±1*
.xx	±0.15		



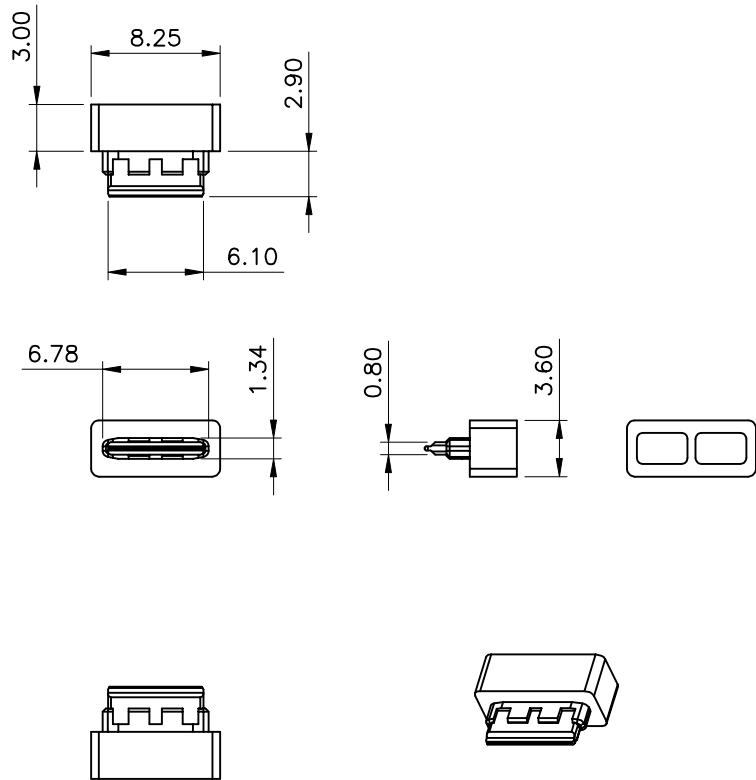
DEREN
SHENZHEN DEREN ELECTRONIC CO., LTD

CUSTOMER DRAWING	DATE	TITLE
DESIGN: Liangkeyao	2020.01.08	UC PLUG CLOSE 1 ASSY 3.2H 16PIN_ONLY CONN
CHECK:		P/N: 40-42487-CB00xxxxxxx
APPROVAL:		SHEET: 2/3
REV. X1		SCALE: 1:1 UNIT: mm

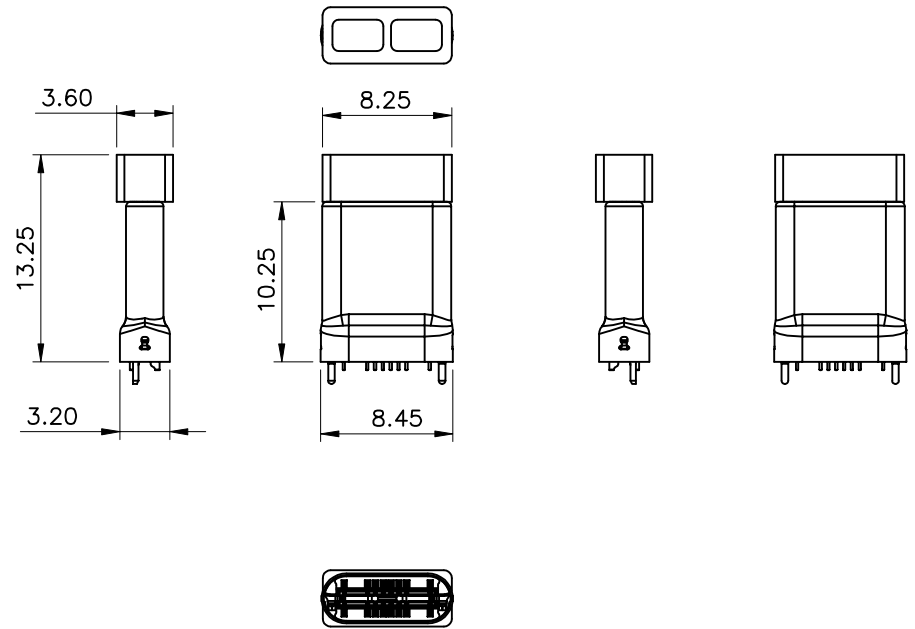
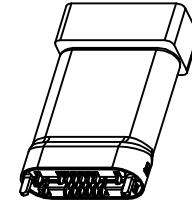
HF
Halogen Free

REV.	ECN NO.	LOCATION	DESCRIPTION	DATE	DESIGN
X1			INITIAL RELEASE	2020.01.08	Liangkeyao

IR HOLDER DRAWING



Before IR process, need assembly IR holder to type C Plug connector.



DEREN
SHENZHEN DEREN ELECTRONIC CO., LTD

DIM	TOL	DIM	TOL
x	±0.30	x	±2°
.x	±0.25	.x	±1°
.xx	±0.15		

DRAW NO.	***
REV.	X1

CUSTOMER DRAWING	DESIGN:	DATE
	Liangkeyao	2020.01.08
CHECK:	APPROVAL:	

TITLE:	UC PLUG CLOSE 1 ASSY 3.2H 16PIN_ONLY CONN	
P/N:	40-42487-CB00xxxxxxx	
SHEET:	3/3	
SCALE:	1:1	UNIT: mm