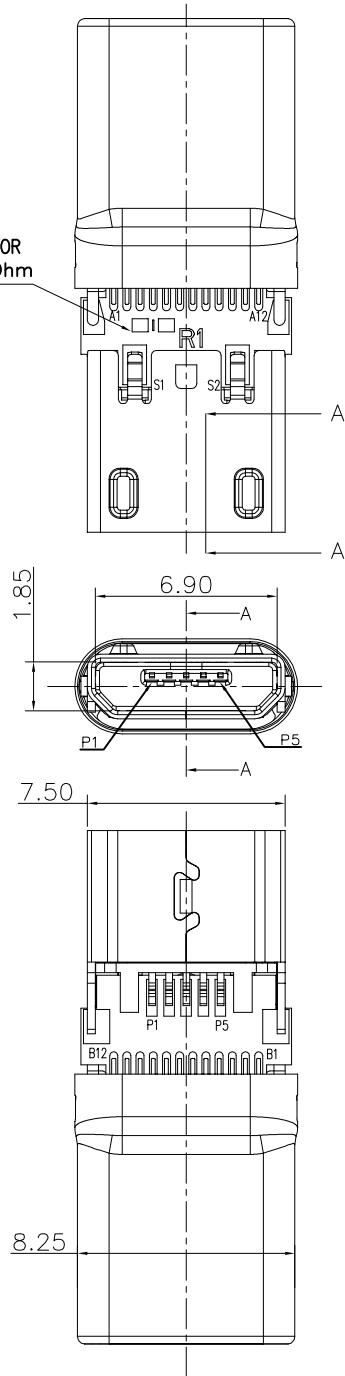




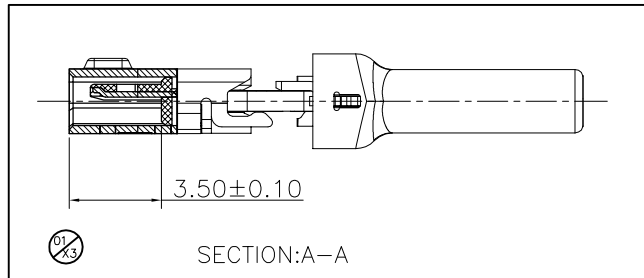
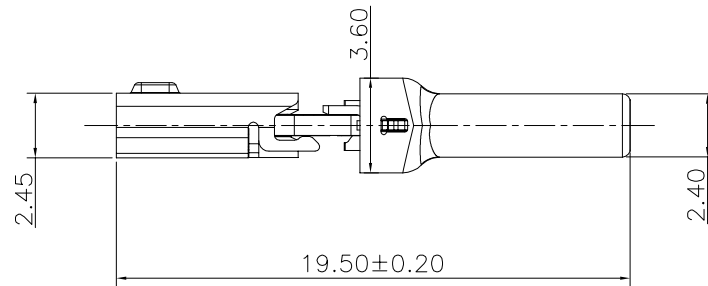
Halogen Free

(R1)RESISTOR  
56K±5% Ohm



CONTACT FIGURE:

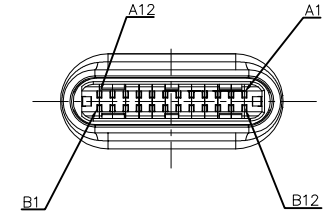
USB TYPE C PLUG	MICRO USB CONN
A1,A12,B1,B12,SHELL	P5,S1,S2,SHELL
A6	P3
A7	P2
A4,A9,B4,B9	P1
A5	



REV.	ECN NO.	LOCATION	DESCRIPTION	DATE	DESIGN
X1			INITIAL RELEASE	2016.12.15	Liangkeyao
X2	EC-C170231		ADD P/N	2017.05.24	Yanghao
X3			ADD DIM.	2017.08.14	zhiwen YI

NOTES :

1. USB TYPE-C PLUG MATING FORCE:5~20N;  
UNMATING FORCE: 8~20N(0~1000 CYCLES)AND  
6~20N AFTER 10000 CYCLES
2. MICRO USB PLUG MATING FORCE:35N MAX;  
UNMATING FORCE: 10N MIN(0~10000 CYCLES)AND 8N  
MIN AFTER 10000 CYCLES
3. PRODUCT MUST MEET THE REQUIREMENT OF THE  
RoHS 2.0 and HALOGEN FREE.



黑色	Au 5u"	黑色	珍珠镍	Au 30u"	560Q02-010H
白色	Au 5u"	黑色	珍珠镍	Au 30u"	560Q02-009H
黑色	Au 30u"	黑色	珍珠镍	Au 30u"	560Q02-008H
白色	Au 5u"	白色	珍珠镍	Au 30u"	560Q02-007H
白色	Au 5u"	白色	珍珠镍	Au 5u"	560Q02-002H
胶芯颜色	端子镀金	胶芯颜色	外壳电镀	端子镀金	成品料号
MICRO USB			TYPE-C PLUG		



**DEREN**

SHENZHEN DEREN ELECTRONIC CO., LTD

DIM	TOL	DIM	TOL
x.	±0.25	x.	±1*
.x	±0.20	.x	±1*
.xx	±0.15		

DRAW NO.

SC1601298

REV. X3

CUSTOMER DRAWING DESIGN: zhiwen YI DATE: 2017.08.14

CHECK:

APPROVAL:

TITLE: USB TYPE C 2.0 PLUG(24P) TO MICRO USB 2.0 ADAPTER

P/N: 560Q02-XXXH

SHEET: 1/1

SCALE: 1:1 UNIT: mm