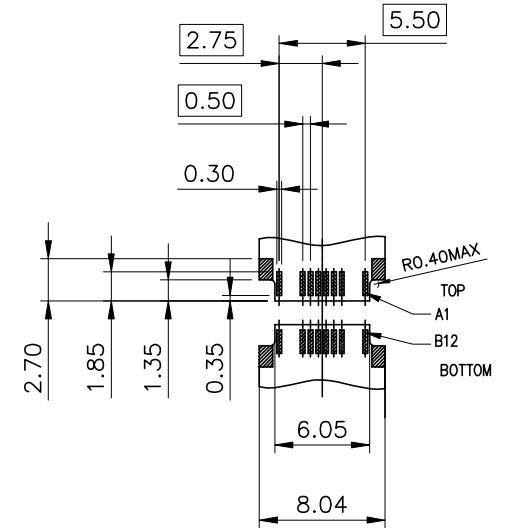
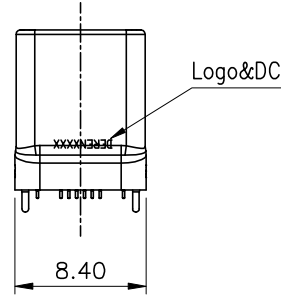
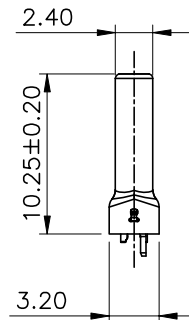
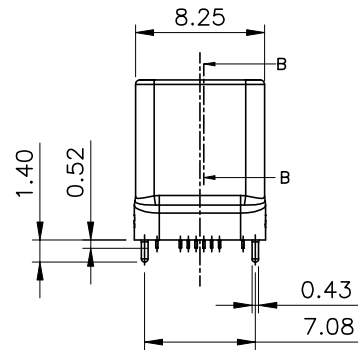
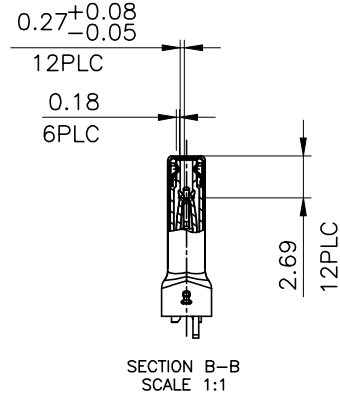
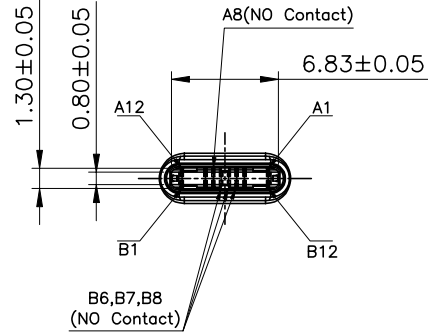


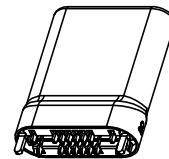
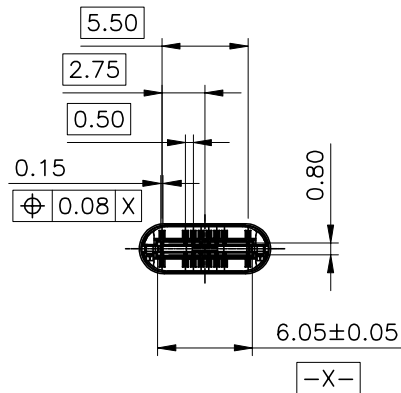
HF

Halogen Free

REV.	ECN NO.	LOCATION	DESCRIPTION	DATE	DESIGN
X1			INITIAL RELEASE	2020.03.23	Liangkeyao



RECOMMEND P.C.B LAYOUT
TOLERANCES: ±0.05;
PCB T=0.80mm



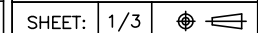
DIM	TOL	DIM	TOL
x.	±0.30	x.	±2°
.x	±0.25	.x	±1°
.xx	±0.15		



DEREN
SHENZHEN DEREN ELECTRONIC CO., LTD

DRAW NO.		DESIGN:		DATE		TITLE:	
***		Liangkeyao		2020.03.23		UC PLUG 3.2H 12PIN ASSY_ONLY CONN	
REV. X1		CHECK:		APPROVAL:		SHEET: 1/3	
						SCALE: 1:1 UNIT: mm	

P/N: 40-42487-CC00*****



UNIT: mm

HF

Halogen Free

NOTES:

1.MATERIAL

- 1.1 HSG: HIGH TEMPERATURE THERMOPLASTIC UL94V-0;
COLOR: SEE PART NUMBER INFORMATION
- 1.2 CONTACT: COPPER ALLOY
- 1.3 LATCH: STAINLESS STEEL
- 1.4 SHELL: STAINLESS STEEL

2. FINISH:

- 2.1 CONTACT:
SEE PART NUMBER INFORMATION MIN, Au PLATING ON CONTACT AREA.
100u" [2.54um] MIN. TIN PLATING ON SOLDER TAIL AREA.
80u" [2.03um] MIN. NICKEL UNDERPLATING ON ALLOVER AREA.
- 2.2 SHELL
SEE PART NUMBER INFORMATION
- 2.3 LATCH:
100u" [2.54um] MIN. TIN PLATING ON SOLDER TAIL AREA.
50u" [1.27um] MIN. NICKEL UNDERPLATING ON ALLOVER AREA.

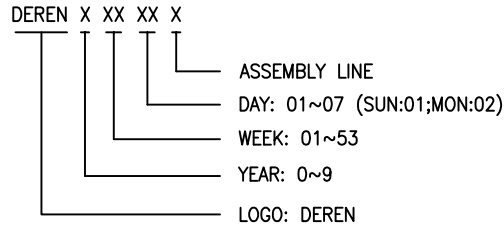
3. MATING FORCE: 5~20N;

UNMATING FORCE: 8~20N (0~1000 CYCLES) AND 6~20N AFTER 10000 CYCLES;
(MATING FORCE/UNMATING FORCE TEST MUST ASSEMBLE PCBA)

4. DIELECTRIC WITHSTANDING VOLTAGE: 300V AC/MINUTE FOR PER PIN

5. INSULATION RESISTANCE: 100M OHM BETWEEN ADJACENT CONTACTS AT 300V DC

6. DATE CODE INFORMATION:



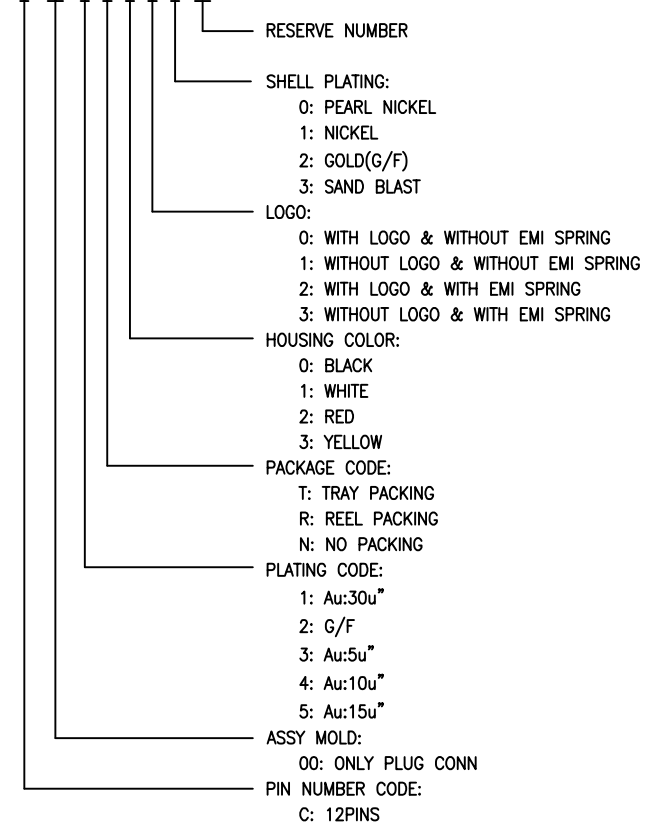
PINS DESCRIPTION
PLUG FRONT VIEW

A12	A11	A10	A9	A8	A7	A6	A5	A4	A3	A2	A1
GND			VBus		D-	D+	CC	VBus			GND
GND			VBus	Vconn				VBus			GND
B1	B2	B3	B4	B5	B6	B7	B8	B9	B10	B11	B12

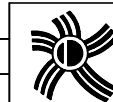
REV.	ECN NO.	LOCATION	DESCRIPTION	DATE	DESIGN
X1			INITIAL RELEASE	2020.03.23	Liangkeyao

7. PART NUMBER INFORMATION:

40-42487-C C 00 * T * * * *



DIM	TOL	DIM	TOL
x.	±0.30	x.	±2°
.x	±0.25	.x	±1°
.xx	±0.15		



DEREN

SHENZHEN DEREN ELECTRONIC CO., LTD

CUSTOMER DRAWING	DATE	TITLE: UC PLUG 3.2H 12PIN ASSY_ONLY CONN
DESIGN: Liangkeyao	2020.03.23	P/N: 40-42487-CC00*****
CHECK:		SHEET: 2/3
APPROVAL:		SCALE: 1:1 UNIT: mm

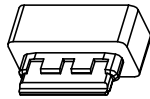
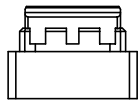
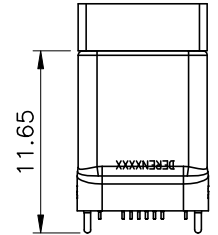
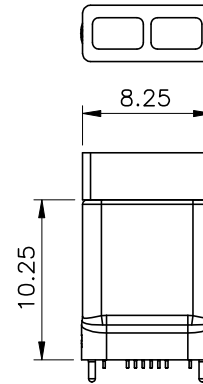
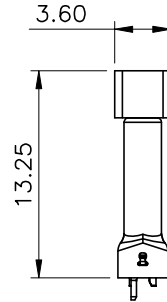
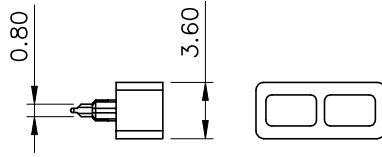
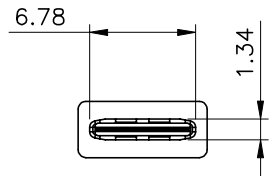
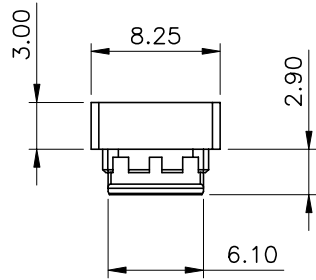
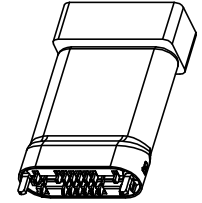
HF

Halogen Free

REV.	ECN NO.	LOCATION	DESCRIPTION	DATE	DESIGN
X1			INITIAL RELEASE	2020.03.23	Liangkeyao

IR HOLDER DRAWING

Before IR process, need assembly IR holder to type C Plug connector.



Colour Matching

Housing Colour	Holder Colour
BLACK	BLACK
Other Colour	WHITE

IR HOLDER P/N	COLOUR	DIM	TOL	DIM	TOL
		x	±0.30	x	±2°
560Q04-002H	BLACK	.x	±0.25	.x	±1°
560Q04-001H	WHITE	.xx	±0.15		

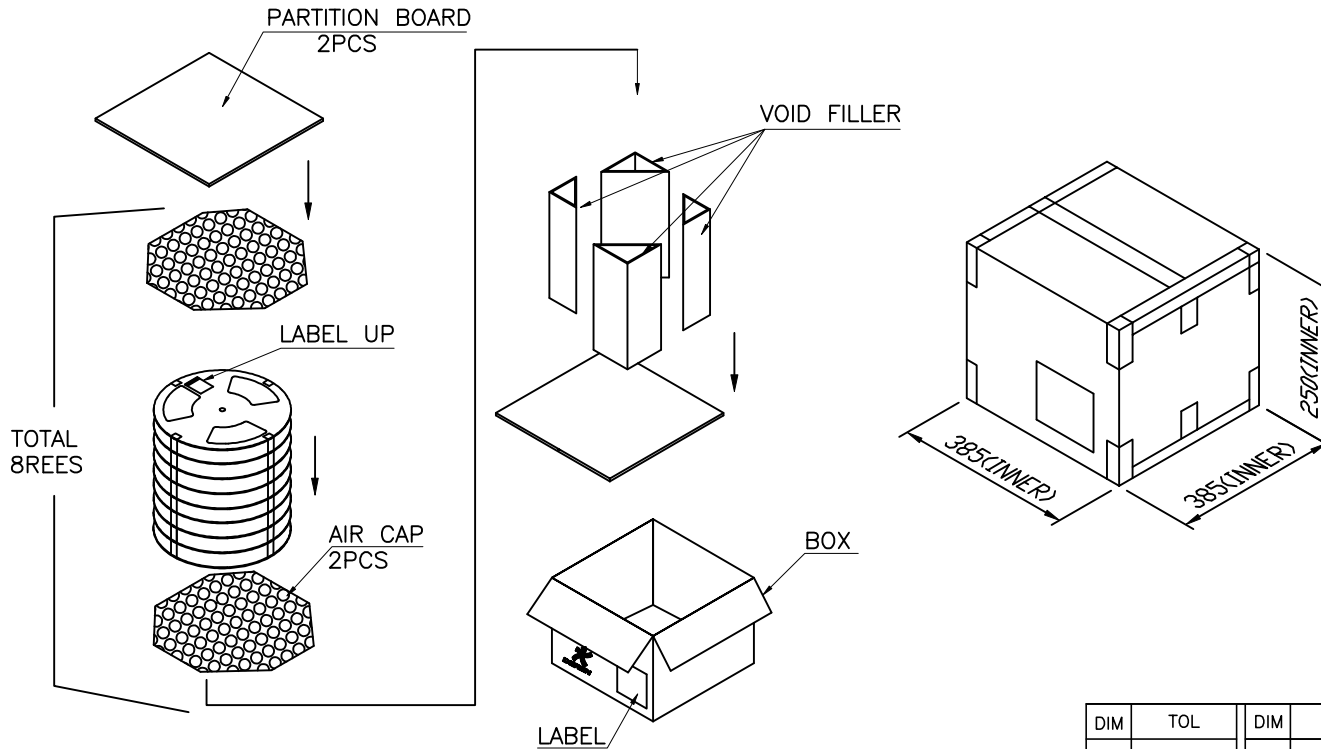
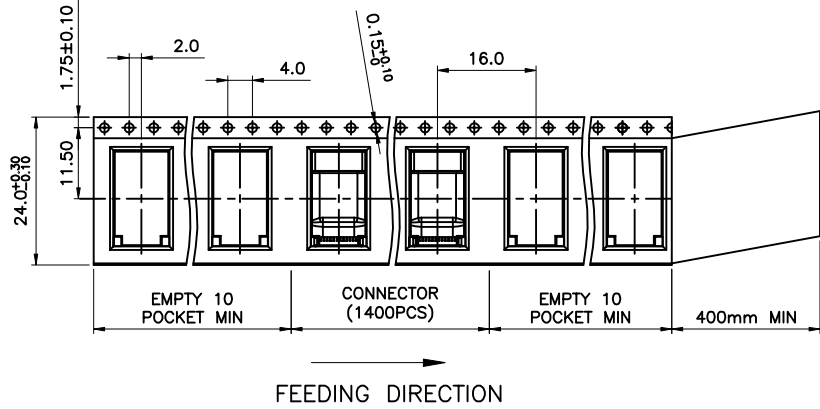
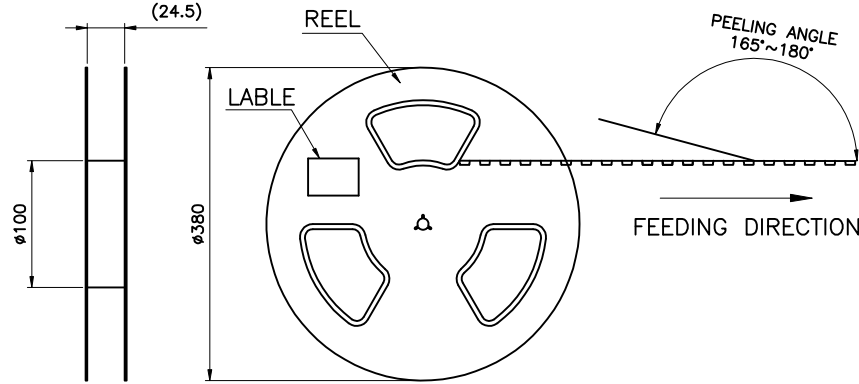
**DEREN**

SHENZHEN DEREN ELECTRONIC CO., LTD

CUSTOMER DRAWING	DATE	TITLE
DESIGN: Liangkeyao	2020.03.23	UC PLUG 3.2H 12PIN ASSY_ONLY CONN
CHECK:		P/N: 40-42487-CC00*****
APPROVAL:		SHEET: 3/3
REV. X1		SCALE: 1:1 UNIT: mm

HF

Halogen Free



备注:

1. 产品包装按照1400PCS/卷, 前、后各留10PCS空格, 上载带比下载带多留400mm Min; 8卷/箱, 共计11200PCS/箱;
2. 卷盘上、下方各放1PCS气泡垫和纸板, 纸板4个角各放1个角卡;
3. 每个卷盘上都需要贴物料标签, 封箱后在外箱贴上标签, 如图示;

REV.	ECN NO.	LOCATION	DESCRIPTION	DATE	DESIGN
X1			INITIAL RELEASE	2020.03.23	Liangkeyao

DIM	TOL	DIM	TOL
x.	±0.30	x.	±2"
.x	±0.25	.x	±1"
.xx	±0.15		



DEREN			
SHENZHEN DEREN ELECTRONIC CO., LTD			
CUSTOMER DRAWING		DATE	TITLE: UC PLUG 3.2H 12PIN ASSY_ONLY CONN
DESIGN:	Liangkeyao	2020.03.23	P/N: 40-42487-CC00*****
CHECK:			SHEET: N/A
APPROVAL:			SCALE: UNIT: mm
REV.	X1	DRAW NO. ***	

HF

Halogen Free

1 2 3 4 5 6 7 8

REV.	ECN NO.	LOCATION	DESCRIPTION	DATE	DESIGN
X1			INITIAL RELEASE	2020.03.23	Liangkeyao

A

B

C

D

E

A

B

C

D

E

BOARD
(DIM: 190*200*5)

TRAY(NO PRODUCT)

PRODUCT

100PCS/TRAY
TOTAL: 30TRAY
TOTAL: 3000TRAY

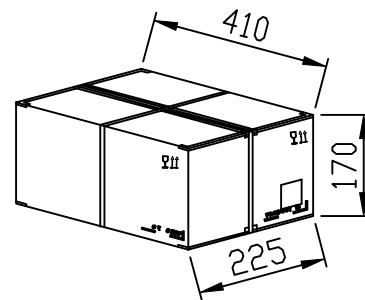
干燥剂

PE膜

AIR CAP
DIM: 1310*400*8CARTON
DIM:410*225*170(INNER)

备注:

1. LATCH焊脚朝上, 须保持产品朝向一致置入盘中;
2. 干燥剂放置PE袋内, PE袋收口时折叠好;
3. 包装按照100PCS/盘, 60盘/箱, 顶层放1PCS空盘, 30盘/捆并用PE膜缠绕成十字型, 2捆/箱(共计: 60盘/箱, 两个空盘);
4. TRAY盘外裹1PCS AIR CAP, 最后封箱贴上标签, 如图示;
5. 包装数量: 60盘/箱(即6000PCS/箱);



DIM	TOL	DIM	TOL
x.	±0.30	x.	±2'
.x	±0.25	.x	±1'
.xx	±0.15		



DEREN		SHENZHEN DEREN ELECTRONIC CO., LTD	
CUSTOMER DRAWING	DATE	TITLE: UC PLUG 3.2H 12PIN ASSY_ONLY CONN	
DESIGN: Liangkeyao	2020.03.23	P/N: 40-42487-CC00*****	
CHECK:		SHEET: N/A	
APPROVAL:		SCALE:	UNIT: mm

1 2 3 4 5 6 7 8