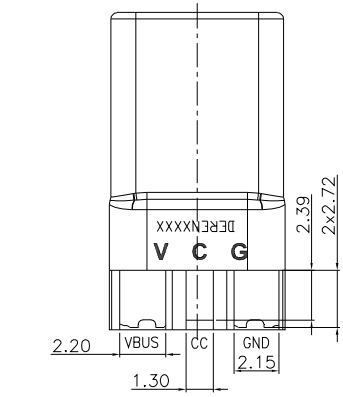
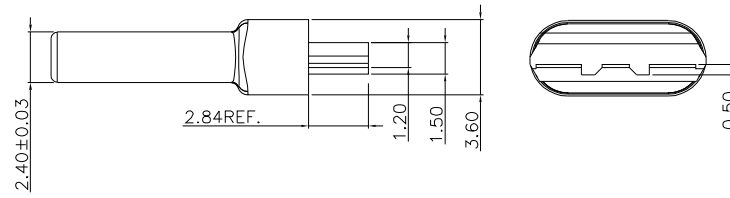
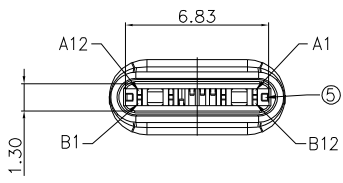
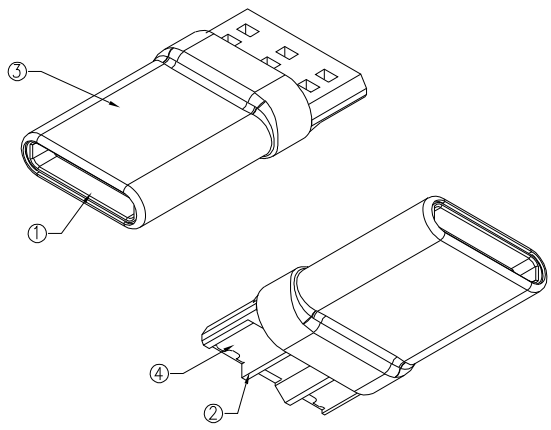
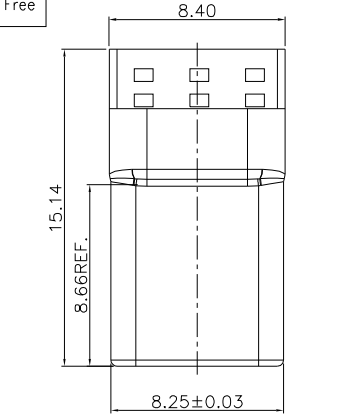


**HF**  
Halogen Free

REV.	ECN NO.	LOCATION	DESCRIPTION	DATE	DESIGN
X1			UPDATE PACKING	2021.03.02	Jiafa Ren
X2			UPDATE TOLERANCE	2021.03.29	Jiafa Ren



- NOTES:
- MATERIAL
    - HOUSING: HIGH TEMPERATURE THERMOPLASTIC UL94V-0; COLOR: SEE PART NUMBER INFORMATION
    - MOLDING: HIGH TEMPERATURE THERMOPLASTIC UL94V-0; COLOR: SEE PART NUMBER INFORMATION
    - SHELL: STAINLESS STEEL
    - CONTACT: COPPER ALLOY
    - LATCH: STAINLESS STEEL
  - FINISH:
    - CONTACT: SEE PART NUMBER INFORMATION MIN. Au PLATING ON CONTACT AREA. 100u" [2.54um] MIN. TIN PLATING ON SOLDER TAIL AREA. 50u" [1.27um] MIN. NICKEL. UNDERPLATING ON ALLOVER AREA.
    - SHELL: 50u" [1.27um] MIN. NICKEL. ON ALLOVER AREA
    - LATCH: WASH
  - MATING FORCE: 5~20N; UNMATING FORCE: 8~20N (0~1000 CYCLES) AND 6.9~20N AFTER 10000 CYCLES
  - DIELECTRIC WITHSTANDING VOLTAGE: 500V DC/MINUTE FOR PER PIN
  - INSULATION RESISTANCE: 100M OHM BETWEEN ADJACENT CONTACTS AT 500V DC
  - TEMPERATURE RISING: 5A 30°C FOR VBUS AND GND PIN
  - PART NUMBER INFORMATION: 570C09-005H

DATE CODE INFORMATION:  
DEREN X XX XX X  
ASSEMBLY LINE  
DAY: 01~07 (SUN:01;MON:02)  
WEEK: 01~53  
YEAR: 0~9  
LOGO: DEREN

PLATING CODE:  
001: G/F  
002: Au:5u"  
003: Au:10u"  
004: Au:15u"  
005: Au:30u"  
HOUSING COLOR:  
09: YELLOW  
10: BLACK

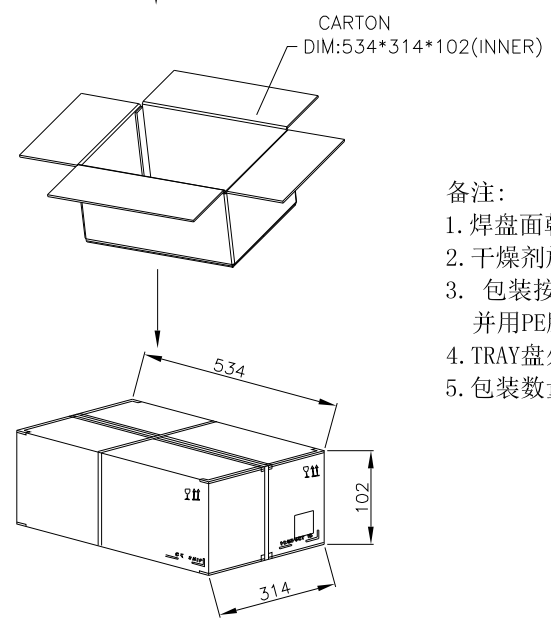
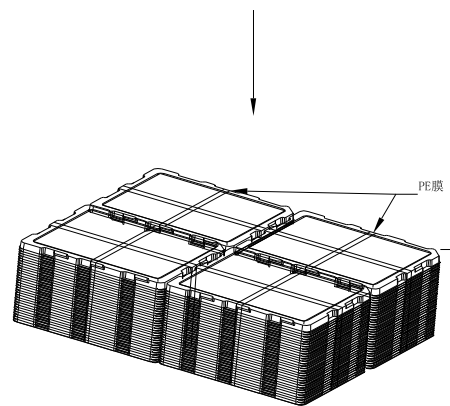
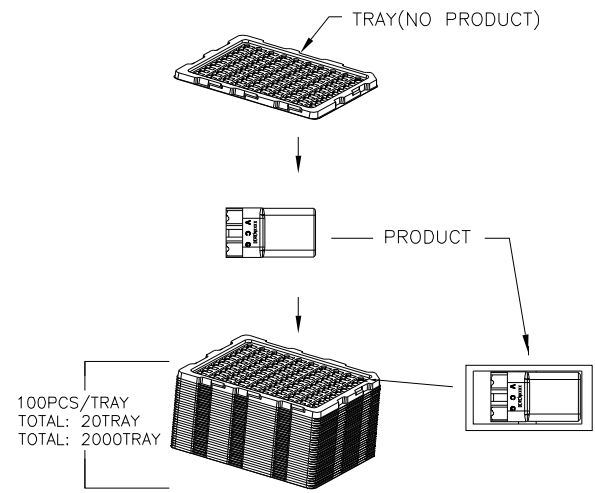
Conn.1	Conn.2
A4,A9,B4,B9	VBUS(V)
A1,A12,B1,B12	GND(G)
Shell	Shell
A5	A5
A6	
A7	
B5	

DIM	TOL	DIM	TOL
A12	±0.35	x	±2'
A11	±0.35	.x	±1'
A10	±0.30	.xx	
A9			
A8			
A7			
A6			
A5			
A4			
A3			
A2			
A1			
GND			
GND			
B1			
B2			
B3			
B4			
B5			
B6			
B7			
B8			
B9			
B10			
B11			
B12			

**DEREN**  
SHENZHEN DEREN ELECTRONIC CO., LTD

CUSTOMER DRAWING	DATE	TITLE: UC PLUG DIRECT SOLDERED 12P WITHOUT EMI ASSY
DESIGN: Jiafa Ren	2021.03.29	P/N: 570C09-005H
CHECK:		SHEET: 1/2
REV. X2	APPROVAL:	SCALE: 1:1 UNIT: mm

REV.	ECN NO.	LOCATION	DESCRIPTION	DATE	DESIGN
X1			UPDATE PACKING	2021.03.02	Jiafa Ren
X2			UPDATE TOLERANCE	2021.03.29	Jiafa Ren



- 备注:
1. 焊盘面朝上，产品朝向面须摆放一致；
  2. 干燥剂放置PE袋内，PE袋收口时折叠好。
  3. 包装按照100PCS/盘，80盘/箱，顶层放1PCS空盘，21盘/捆并用PE膜缠绕成十字型，4捆/箱（共计：84盘/箱）
  4. TRAY盘外裹1PCS AIR CAP，最后封箱贴上标签，如图示；
  5. 包装数量：84盘/箱（即8000PCS/箱），

DIM	TOL	DIM	TOL
.x	±0.35	.x	±2'
.x	±0.35	.x	±1'
.xx	±0.30		

**DEREN**  
SHENZHEN DEREN ELECTRONIC CO., LTD

CUSTOMER DRAWING	DATE	TITLE: UC PLUG DIRECT SOLDERED 12P WITHOUT EMI ASSY
DESIGN: Jiafa Ren	2021.03.29	P/N: 570C09-005H
CHECK:		SHEET: 2/2
REV. X2	APPROVAL:	SCALE: 1:1 UNIT: mm