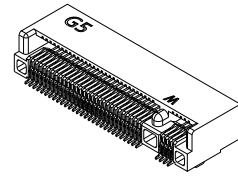


# HF

Halogen Free



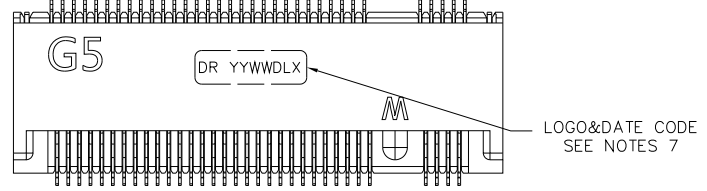
REV.	ECN NO.	LOCATION	DESCRIPTION	DATE	DESIGN
X1	NA	NA	INITIAL RELEASE	07/11'22	Jason Huang



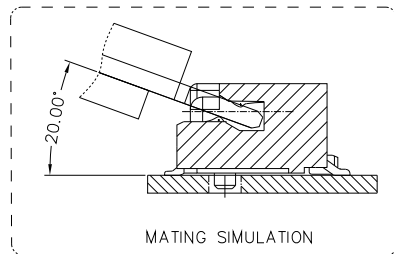
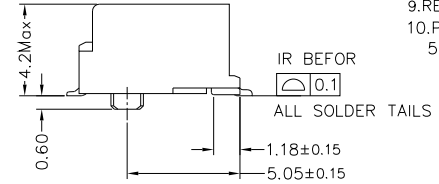
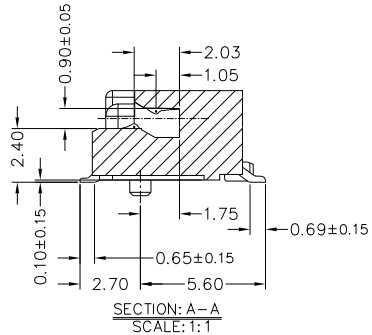
3D VIEW  
SCALE:1:2

NOTES:  
MATERIAL MUST MEET DEREN CONTROLLED SUBSTANCES SPEC.PER WI-PB-S-010.  
PRODUCT MUST MEET CONTROLLED SUBSTANCES SPEC. ROHS 2.0

- MATERIAL:
    - HOUSING: LCP , UL94V-0; COLOR: BLACK
    - CONTACTS: PHOSPHOR BRONZE
    - FLOATING PEG: STAINLESS STEEL
    - CENTER PLATE: STAINLESS STEEL
  - FINISH:
    - CONTACT:
      - CONTACT: 50u" MIN NICKEL UNDERPLATED ALL OVER, Au GF PLATING ON SOLDER TAIL, GOLD PLATING (THICKNESS SEE NOTE 10) ON CONTACT AREA.
    - FLOATING PEG:
      - 100u" MIN. MATTE-TIN, 50u"MIN. NICKEL UNDERPLATING.
  - REFLOW SOLDER CAPABLE TO 260°C 10SEC.
  - ELECTRICAL CHARACTERISTICS:
    - CONTACT CURRENT RATING: 0.5 AMPERE MAX, PER PIN,
    - VOLTAGE RATING: 50V AC.
    - INSULATION RESISTANCE: 500M OHM MIN.(INITIAL), 100M OHM MIN.(FINAL), AT 500V DC, FOR 1 MINUTE.
    - DIELECTRIC WITHSTANDING VOLTAGE: 300V AC RMS AT 60HZ, FOR 1 MINUTE.
    - CONTACT RESISTANCE: 55m OHM MAX(INITIAL) ΔR 20m OHM MAX(FINAL)
  - OPERATION TEMPERATURE: -40°C TO +80°C
  - MATING FORCE: 2.04Kgf MAX. DURABILITY: 25 CYCLES
  - DATE CODE YYWWDLX  
 YY: YEAR (09: 2009)  
 WW: WEEK (25: THE 25TH WEEK)  
 D: DAY (1~7: SUNDAY~SATURDAY)  
 L: LINE NUMBER OF ASSEMBLY (A: LINE A)  
 X: D OR N (D: DAY; N: NIGHT)
- 8.CONNECTOR ACTUAL PIN QUANTITY IS 67,AS THE KEY TAKING OUT 8 PINS.  
 9.RECOMMENDED STENCLL THICKNESS 0.12MM MIN  
 10.PART NUMBER DESCRIPTION:  
 5621D3-013 H - X B 0 X



LOGO&DATE CODE  
SEE NOTES 7

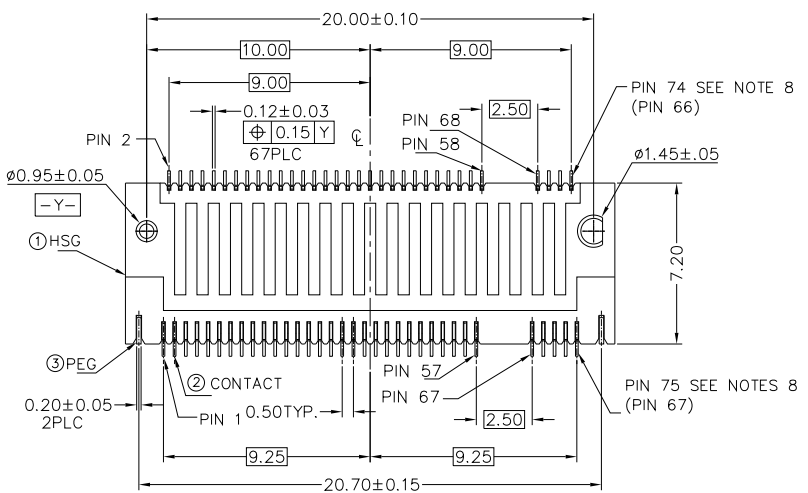
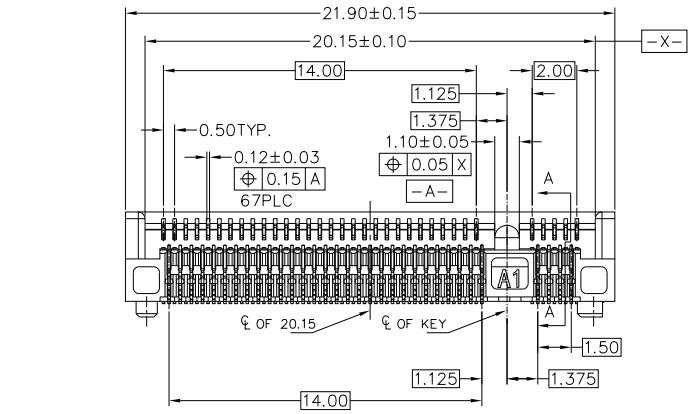


PACKING CODE:  
R: EMBOSS WIDTH 44mm, SLOT FORWARD  
1: EMBOSS WIDTH 44mm, SLOT BACKWARD  
2: EMBOSS WIDTH 32mm, SLOT FORWARD  
3: EMBOSS WIDTH 32mm, SLOT BACKWARD

RESERVED: 0

KEY TYPE: B: KEY M  
PLATING CODE:  
1: GF      2: Au5u"  
3: Au10u"      4: Au15u"  
5: Au30u"

HALOGEN CODE: H:HALOGEN FREE



DIM	TOL	DIM	TOL
x	±0.30	x	±2'
.x	±0.25	.x	±1'
.xx	±0.15		

**DEREN**  
SHENZHEN DEREN ELECTRONIC CO., LTD

CUSTOMER DRAWING		DATE	TITLE: M.2 GEN5 4.2H KEY_M	
DRAW NO.	DESIGN: Jason Huang	07/11'22	P/N: SEE NOTE 10	
SC2107701	CHECK: Bil Lin	07/11'22	SHEET: 1/6	
REV. X1	APPROVAL: Bil Lin	07/11'22	SCALE: N/A	UNIT: mm

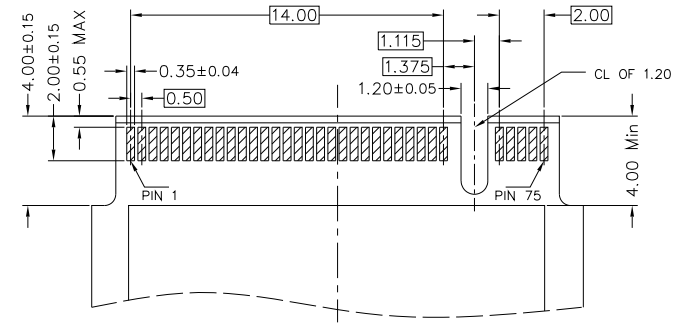
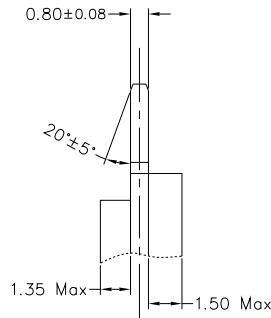
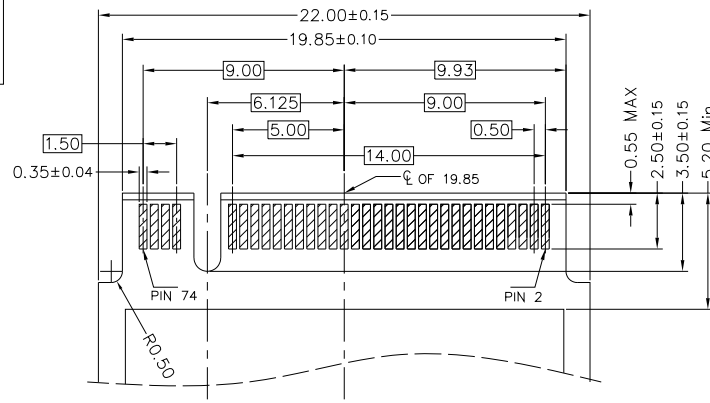
# HF

Halogen Free



## PLUG PCB

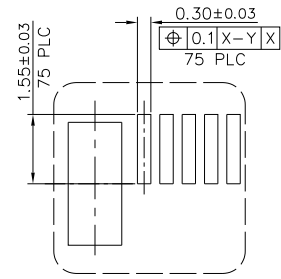
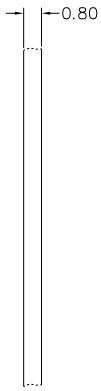
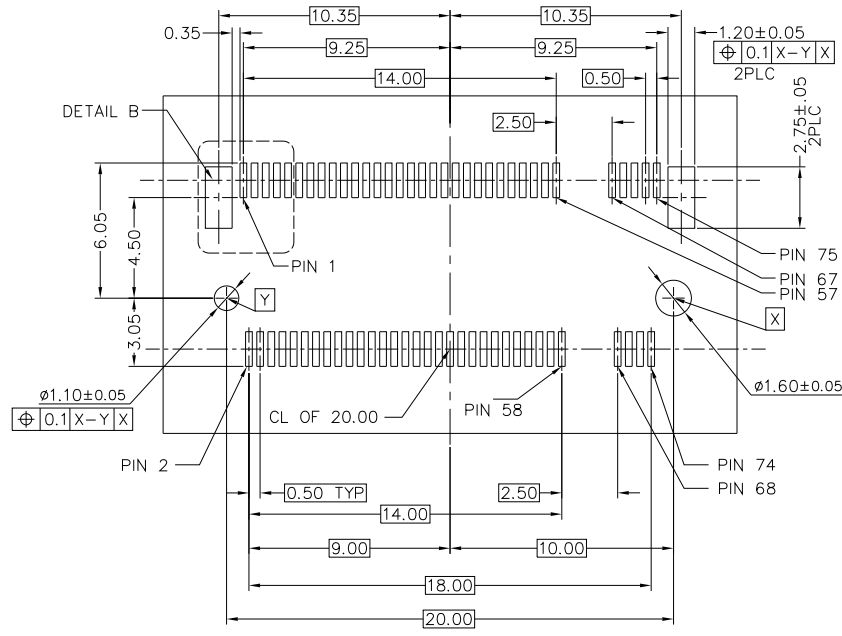
REV.	ECN NO.	LOCATION	DESCRIPTION	DATE	DESIGN
X1	NA	NA	INITIAL RELEASE	07/11'22	Jason Huang



BOTTOM SIDE

TOP SIDE

## RECOMMENDED PCB LAYOUT



DETAIL B  
SCALE 2:1

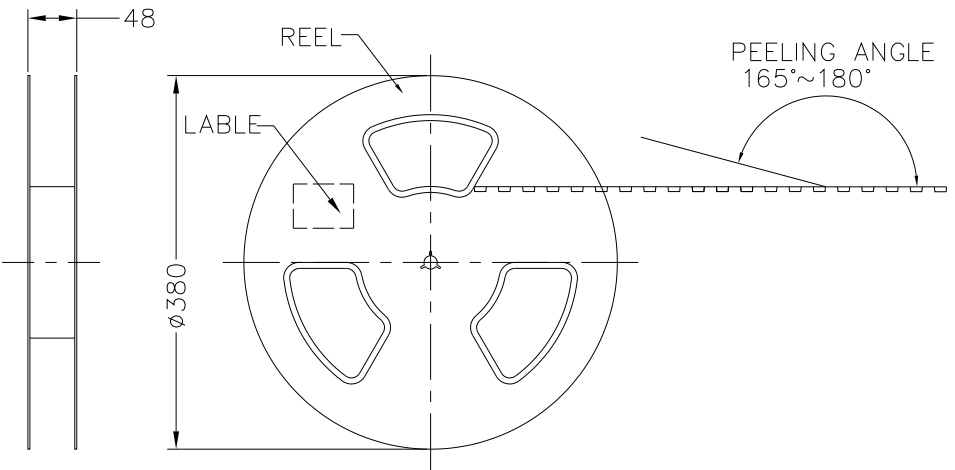
DIM	TOL	DIM	TOL
x	±0.30	x	±2°
.x	±0.25	.x	±1°
.xx	±0.15		

**DEREN**  
SHENZHEN DEREN ELECTRONIC CO., LTD

CUSTOMER DRAWING		DATE		TITLE: M.2 GEN5 4.2H KEY_M	
DRAW NO. SC2107701		DESIGN: Jason Huang	07/11'22	P/N: SEE NOTE 10	
REV. X1		CHECK: Bil Lin	07/11'22	SHEET: 2/6	
APPROVAL: Bil Lin		07/11'22	SCALE: N/A	UNIT: mm	

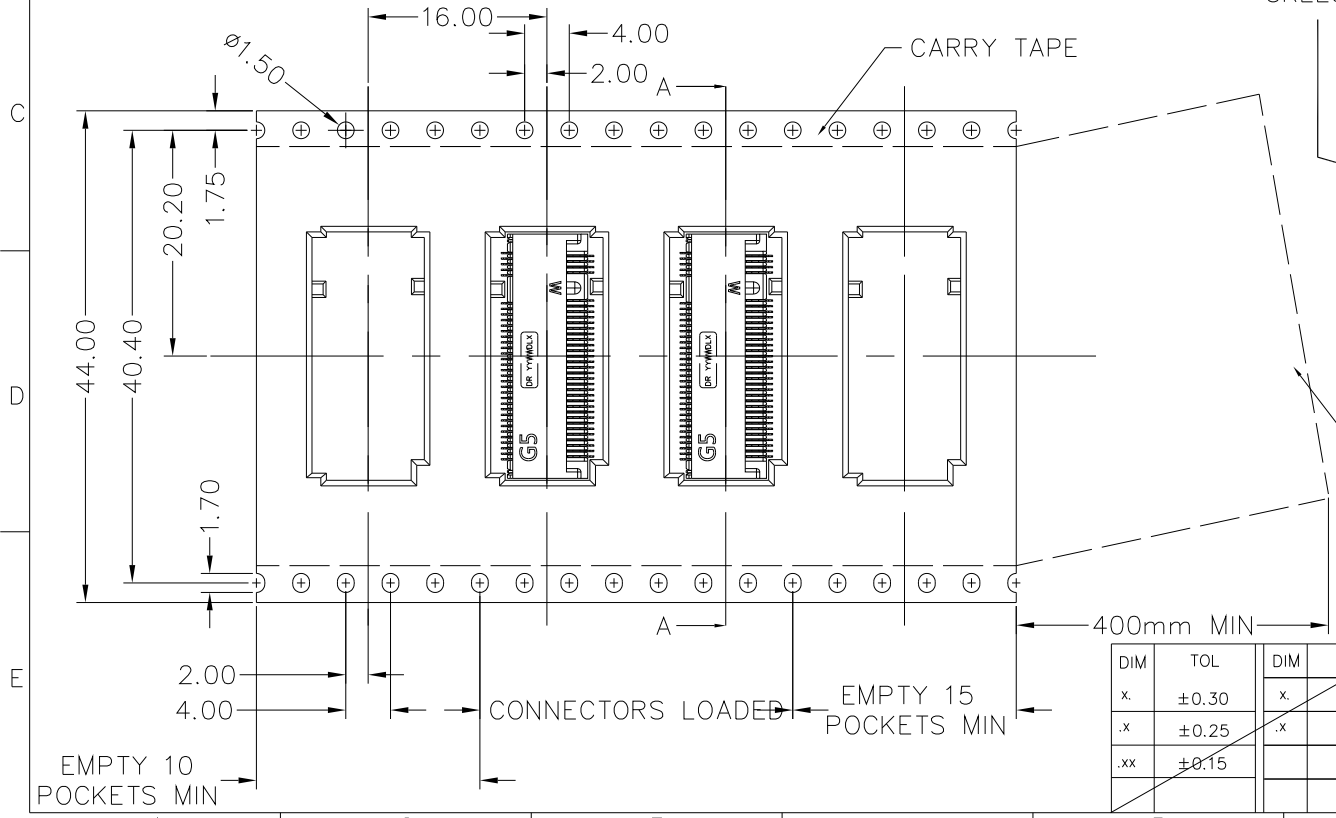
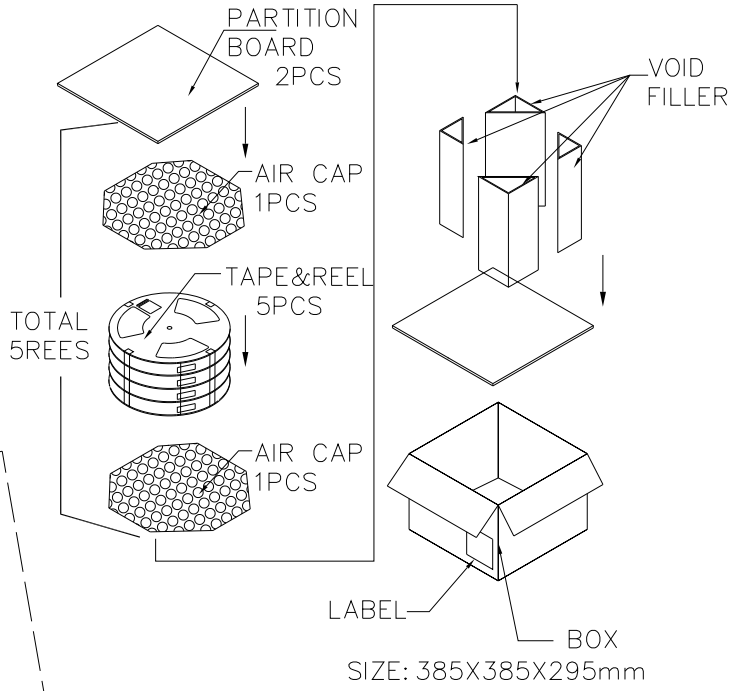


FEEDING DIRECTION →



REV.	ECN NO.	LOCATION	DESCRIPTION	DATE	DESIGN
X1	NA	NA	INITIAL RELEASE	07/11'22	Jason Huang

5621D3-013H -XB0R  
R: EMBOSS WIDTH 44mm, SLOT FORWARD



1100	5	5500	X.XXXKg	X.XXXKg
PCS/TAPE	REELS/BOX	PCS/BOX	GROSS WEIGHT	NET WEIGHT

DIM	TOL	DIM	TOL
x	±0.30	x	±2'
.x	±0.25	.x	±1'
.xx	±0.15		

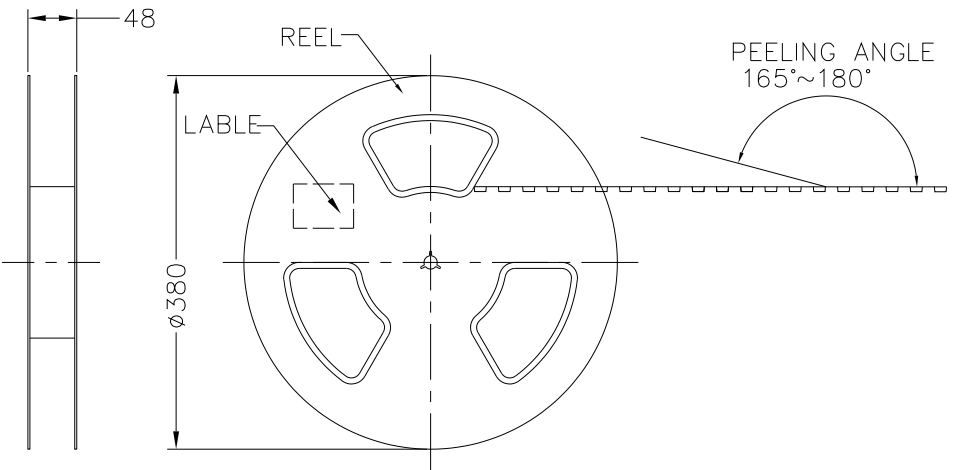
**DEREN**  
SHENZHEN DEREN ELECTRONIC CO., LTD

CUSTOMER DRAWING	DATE	TITLE: M.2 GEN5 4.2H KEY_M
DESIGN: Jason Huang	07/11'22	P/N: SEE NOTE 10
CHECK: Bill Lin	07/11'22	SHEET: 3/6
APPROVAL: Bill Lin	07/11'22	SCALE: N/A UNIT: mm

DRAW NO. SC2107701  
REV. X1

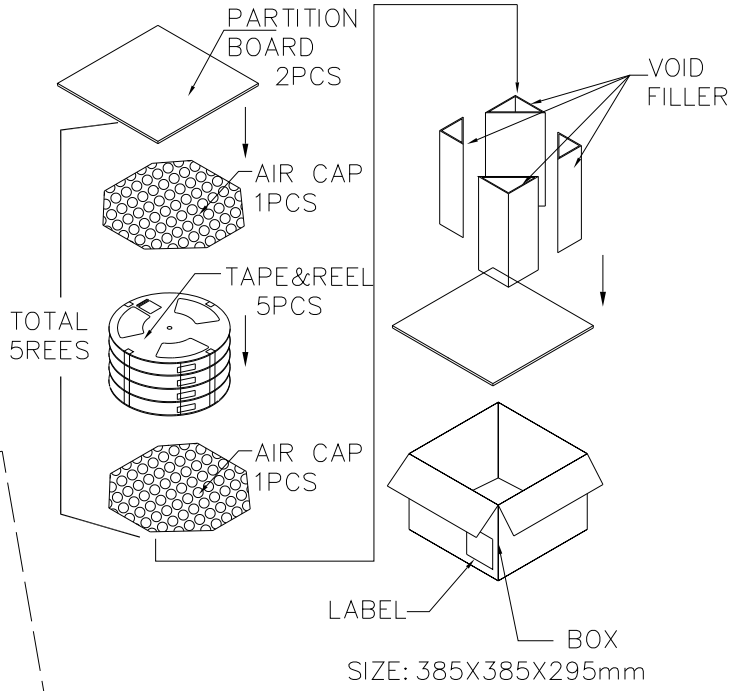


FEEDING DIRECTION →

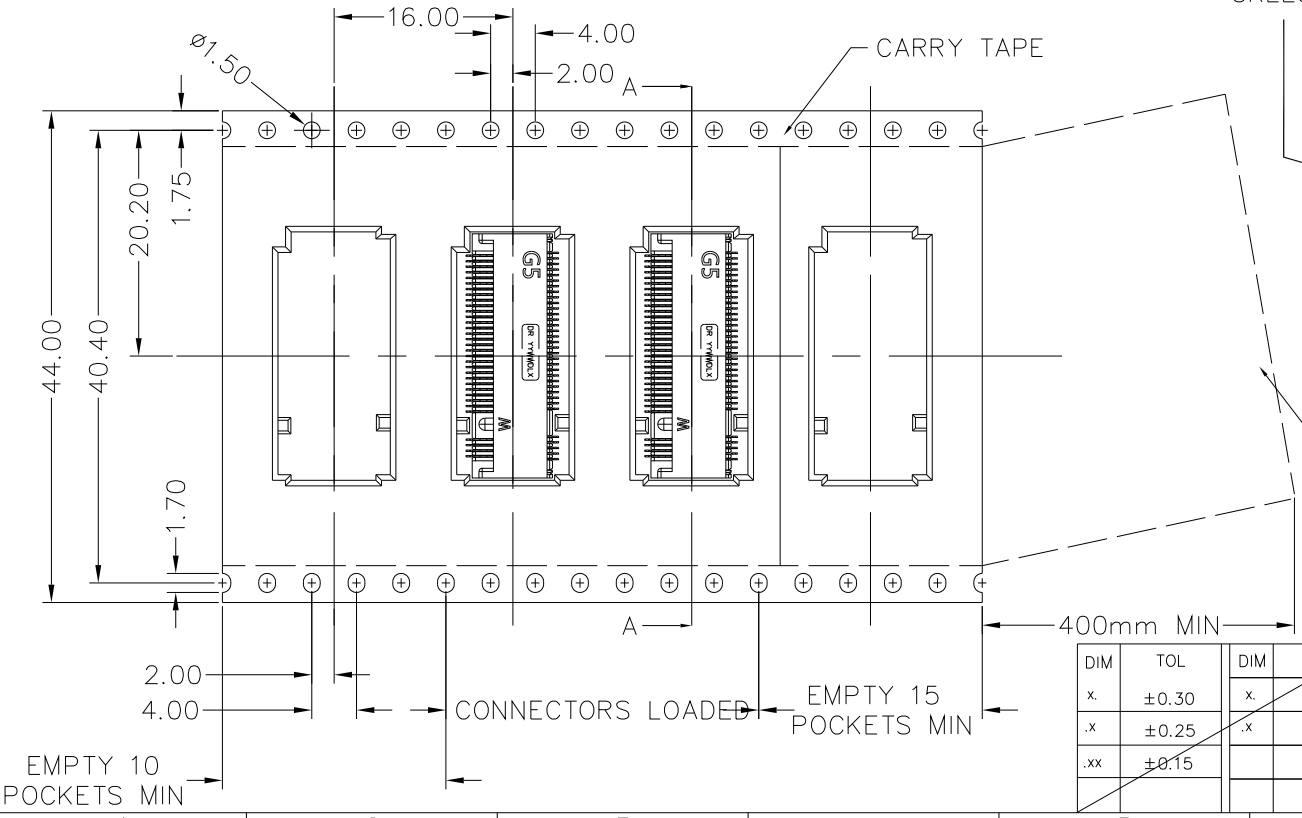


REV.	ECN NO.	LOCATION	DESCRIPTION	DATE	DESIGN
X1	NA	NA	INITIAL RELEASE	07/11'22	Jason Huang

5621D3-013H -XB01  
1: EMBOSS WIDTH 44mm, SLOT BACKWARD



BOX  
SIZE: 385X385X295mm



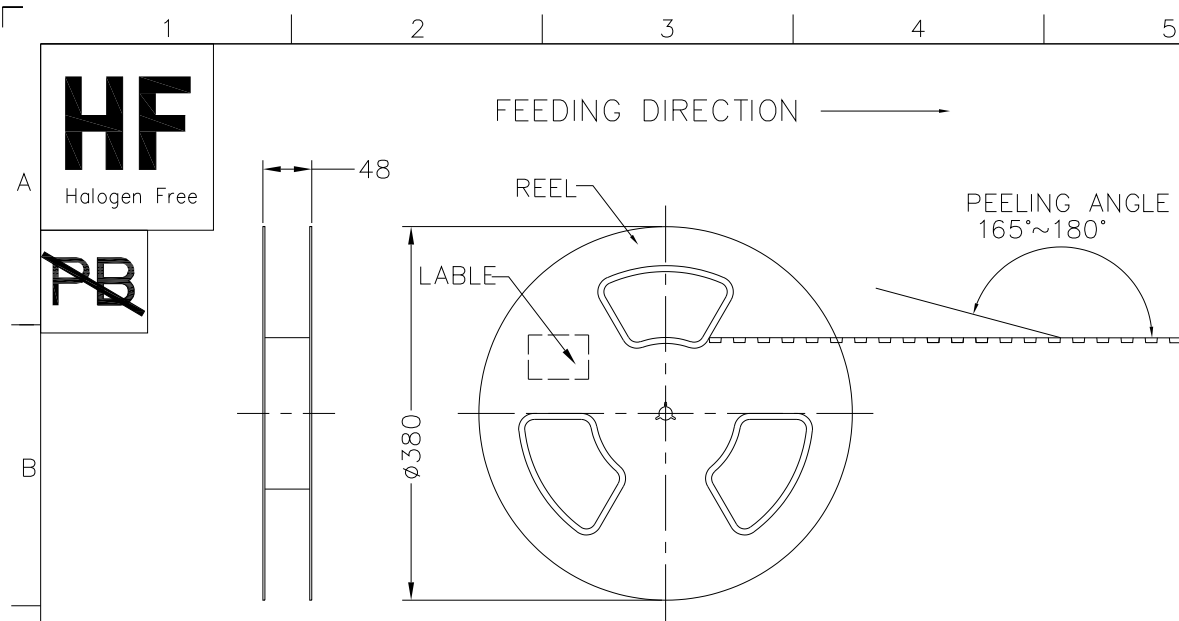
1100	5	5500	X.XXXKg	X.XXXKg
PCS/TAPE	REELS/BOX	PCS/BOX	GROSS WEIGHT	NET WEIGHT



**DEREN**  
SHENZHEN DEREN ELECTRONIC CO., LTD

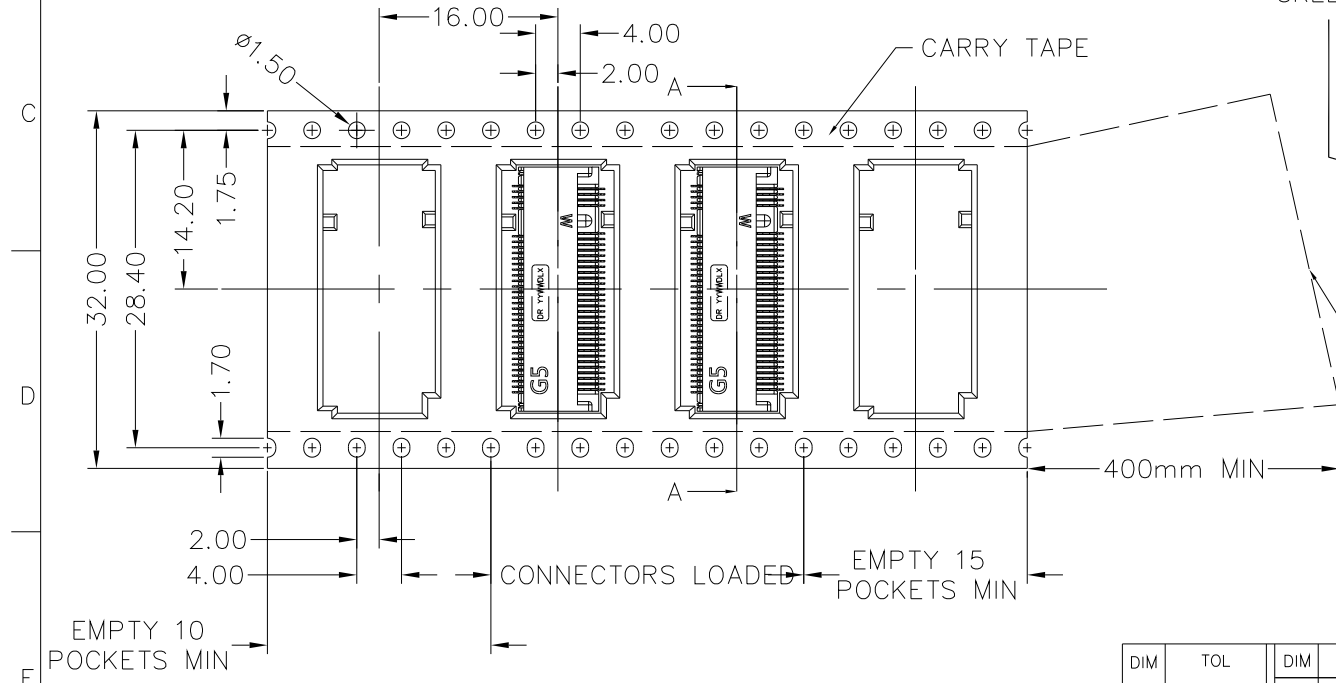
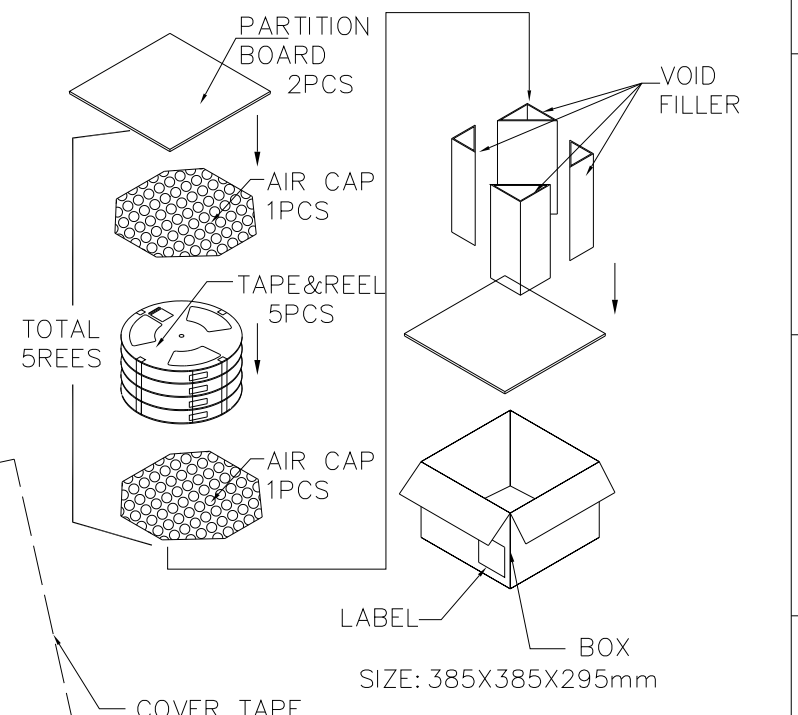
DRAW NO. SC2107701	DESIGN: Jason Huang	DATE 07/11'22	TITLE: M.2 GEN5 4.2H KEY_M
REV. X1	CHECK: Bil Lin	DATE 07/11'22	P/N: SEE NOTE 10
	APPROVAL: Bil Lin	DATE 07/11'22	SHEET: 4/6
			SCALE: N/A UNIT: mm

DIM	TOL	DIM	TOL
x	±0.30	x	±2'
.x	±0.25	.x	±1'
.xx	±0.15		



REV.	ECN NO.	LOCATION	DESCRIPTION	DATE	DESIGN
X1	NA	NA	INITIAL RELEASE	07/11'22	Jason Huang

5621D3-013H -XB02  
2: EMBOSS WIDTH 32mm, SLOT FORWARD



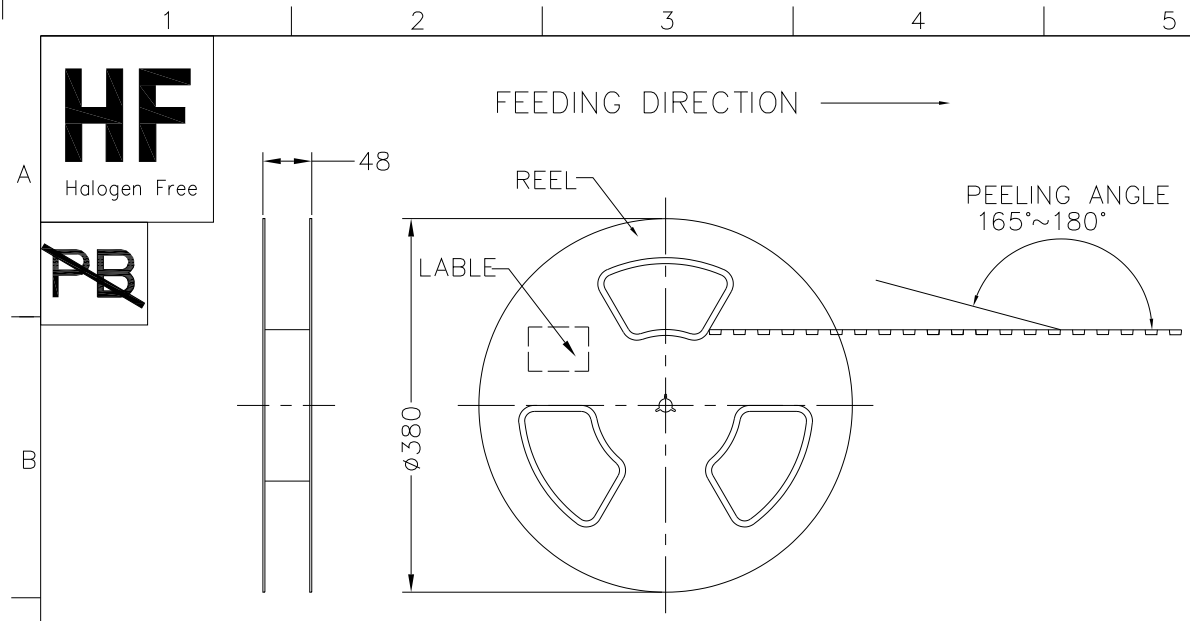
1100	5	5500	X.XXXKg	X.XXXKg
PCS/TAPE	REELS/BOX	PCS/BOX	GROSS WEIGHT	NET WEIGHT

DIM	TOL	DIM	TOL
x	±0.30	x	±2'
.x	±0.25	.x	±1'
.xx	±0.15		

**DEREN**  
SHENZHEN DEREN ELECTRONIC CO., LTD

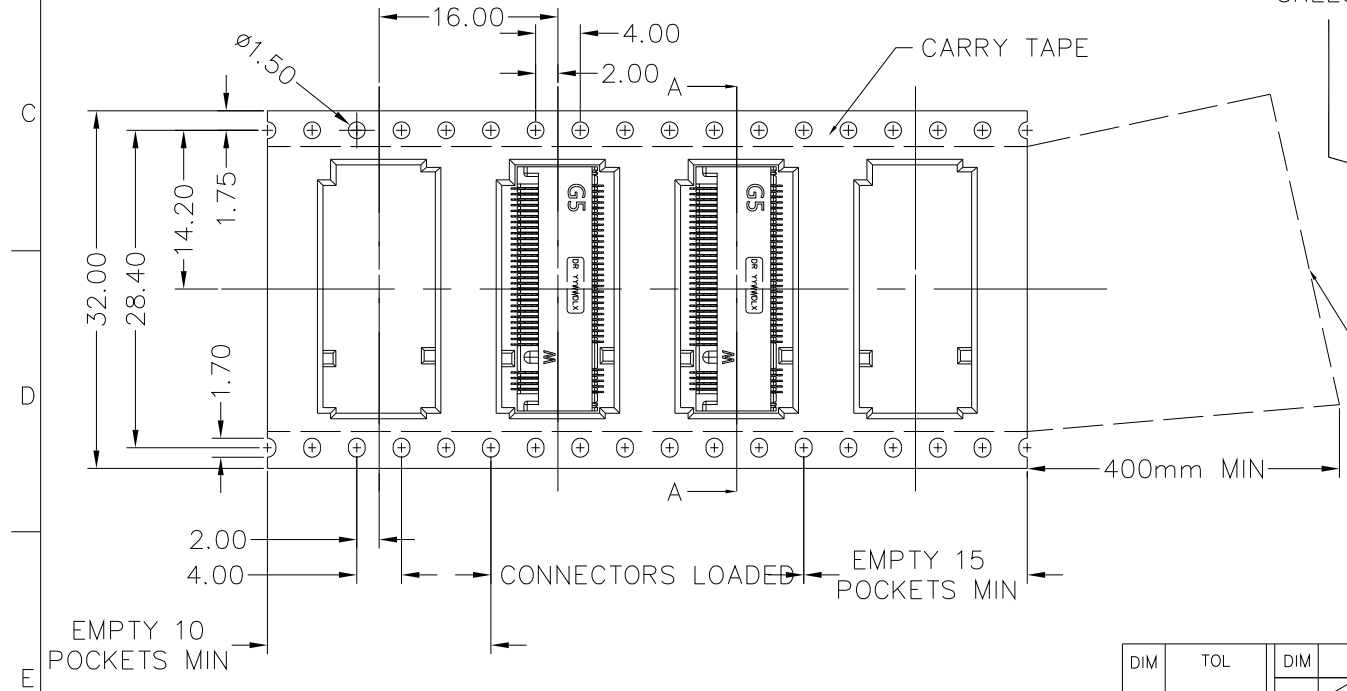
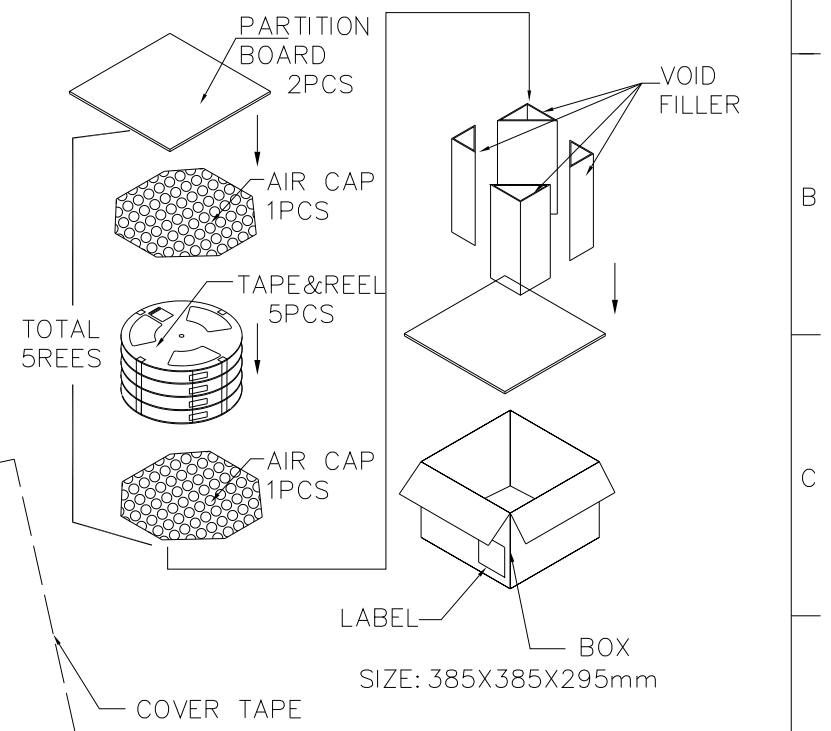
CUSTOMER DRAWING	DATE	TITLE: M.2 GEN5 4.2H KEY_M
DESIGN: Jason Huang	07/11'22	P/N: SEE NOTE 10
CHECK: Bil Lin	07/11'22	SHEET: 5/6
APPROVAL: Bil Lin	07/11'22	SCALE: N/A UNIT: mm

DRAW NO. SC2107701  
REV. X1



REV.	ECN NO.	LOCATION	DESCRIPTION	DATE	DESIGN
X1	NA	NA	INITIAL RELEASE	07/11'22	Jason Huang

5621D3-013H -XB03  
3: EMBOSS WIDTH 32mm, SLOT BACKWARD



1100	5	5500	X.XXXKg	X.XXXKg
PCS/TAPE	REELS/BOX	PCS/BOX	GROSS WEIGHT	NET WEIGHT

DIM	TOL	DIM	TOL
x	±0.30	x	±2'
.x	±0.25	.x	±1'
.xx	±0.15		

**DEREN**  
SHENZHEN DEREN ELECTRONIC CO., LTD

CUSTOMER DRAWING DATE TITLE: M.2 GEN5 4.2H KEY\_M

DRAW NO. DESIGN: Jason Huang 07/11'22 P/N: SEE NOTE 10

SC2107701 CHECK: Bil Lin 07/11'22 SHEET: 6/6

REV. X1 APPROVAL: Bil Lin 07/11'22 SCALE: N/A UNIT: mm