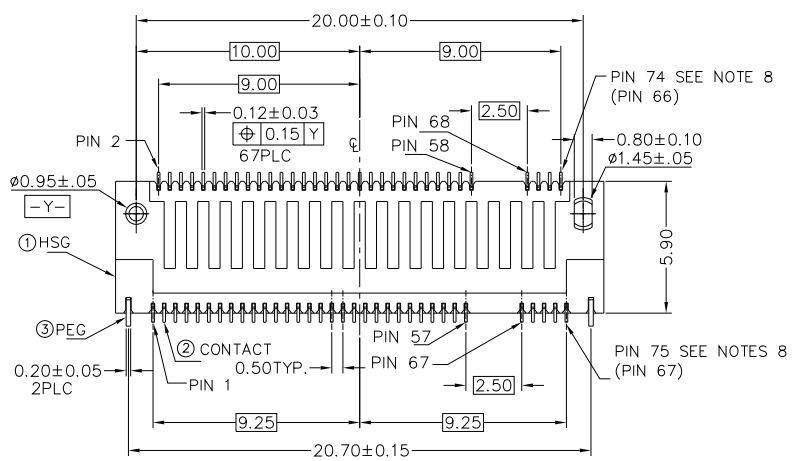
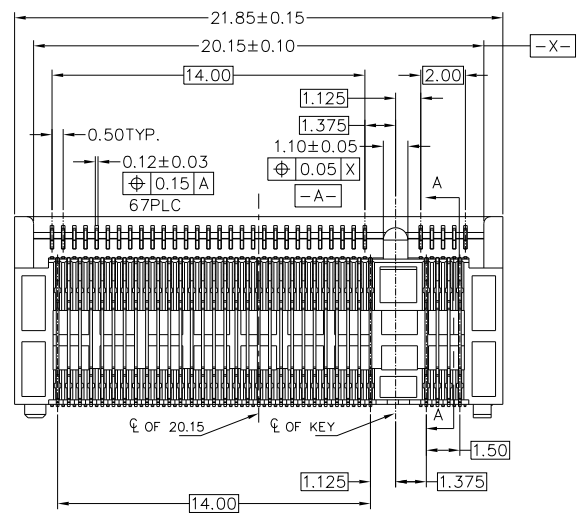
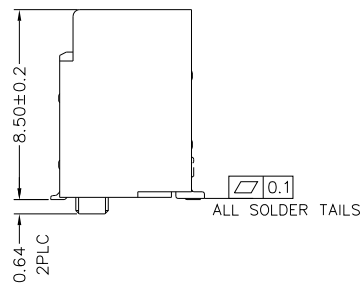
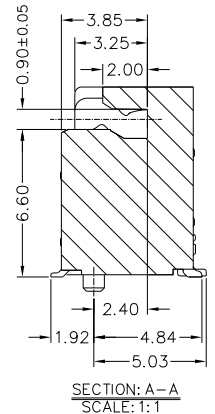
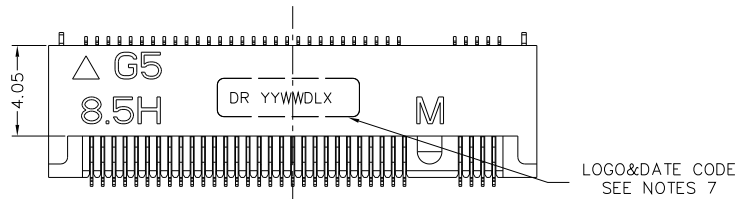


HF

Halogen Free



REV.	ECN NO.	LOCATION	DESCRIPTION	DATE	DESIGN
X1	NA	NA	INITIAL RELEASE	07/11'22	Jason.Huang



NOTES:
 MATERIAL MUST MEET DEREN CONTROLLED SUBSTANCES SPEC.PER WI-PB-S-010.
 PRODUCT MUST MEET CONTROLLED SUBSTANCES SPEC. ROHS 2.0

1. MATERIAL:
 1.1 HOUSING: LCP , UL94V-0; COLOR: BLACK
 1.2 CONTACTS: PHOSPHOR BRONZE
 1.3 FLOATING PEG: STAINLESS STEEL
 1.4 CETER PLATE: STAINLESS STEEL

2. FINISH:
 2.1 CONTACT:
 CONTACT: 50u" MIN NICKEL UNDERPLATED ALL OVER,
 Au GF PLATING ON SOLDERTAIL. GOLD PLATING
 (THICKNESS SEE NOTE 10) ON CONTACT AREA.
 2.2 FLOATING PEG:
 100u" MIN. MATTE-TIN, 50u"MIN. NICKEL UNDERPLATING.

3. REFLOW SOLDER CAPABLE TO 260°C 10SEC.

4. ELECTRICAL CHARACTERISTICS:
 4.1 CONTACT CURRENT RATING: 0.5 AMPERE MAX, PER PIN,
 4.2 VOLTAGE RATING: 50V AC,
 4.3 INSULATION RESISTANCE: 500M OHM MIN.(INITIAL),
 100M OHM MIN.(FINAL), AT 500V DC,
 4.4 DIELECTRIC WITHSTANDING VOLTAGE: 300V AC RMS AT 60HZ,
 FOR 1 MINUTE.
 4.5 CONTACT RESISTANCE: 55m OHM MAX(INITIAL)
 ΔR 20m OHM MAX(FINAL)

5. OPERATION TEMPERATURE: -40°C TO +80°C

6. MATING FORCE: 2.04Kgf MAX.
 DURABILITY: 25 CYCLES

7. DATE CODE YYWDLX
 YY: YEAR (09: 2009)
 WW: WEEK (25: THE 25TH WEEK)
 D: DAY (1~7: SUNDAY~SATURDAY)
 L: LINE NUMBER OF ASSEMBLY (A: LINE A)
 X: D OR N (D: DAY; N: NIGHT)

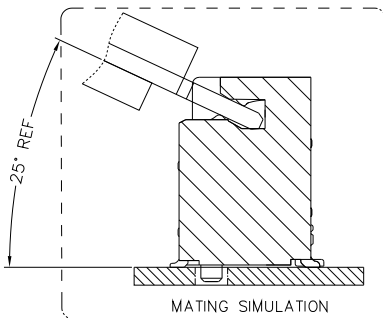
8. CONNECTOR ACTUAL PIN QUANTITY IS 67, AS THE KEY TAKING OUT 8 PINS.

9. RECOMMENDED STENCIL THICKNESS 0.12MM MIN

10. PART NUMBER DESCRIPTION:
 5621D3-015 H - X B O X

PACKING CODE:
 1: EMBOSS WIDTH 44mm, SLOT FORWARD
 R: EMBOSS WIDTH 44mm, SLOT BACKWARD
 2: EMBOSS WIDTH 32mm, SLOT FORWARD
 3: EMBOSS WIDTH 32mm, SLOT BACKWARD

RESERVED: 0
 KEY TYPE: B: KEY M
 PLATING CODE:
 1: GF 2: Au5u"
 3: Au10u" 4: Au15u"
 5: Au30u"
 HALOGEN CODE: H: HALOGEN FREE



DIM	TOL	DIM	TOL
x	±0.35	x	±2'
.x	±0.30	.x	±1'
.xx	±0.25		
.xxx	±0.15		

DEREN
 SHENZHEN DEREN ELECTRONIC CO., LTD

CUSTOMER DRAWING		DATE		TITLE: M.2 GEN5 8.5H KEY-M	
DESIGN:	Jason Huang	07/11'22	P/N: SEE NOTE 10		
CHECK:	Bill Lin	07/11'22	SHEET: 1/6		
APPROVAL:	Bill Lin	07/11'22	SCALE: N/A	UNIT: mm	

DRAW NO.
SC2107702

REV. X1

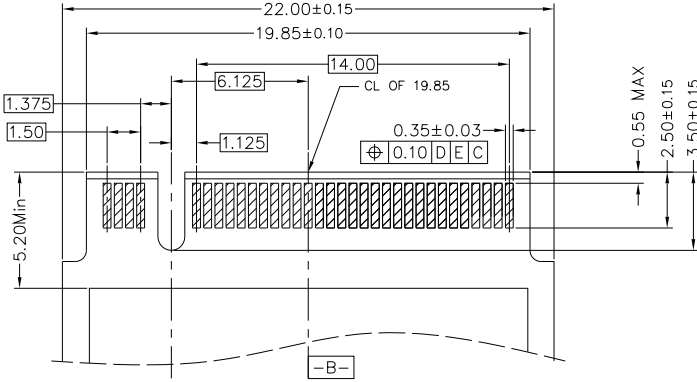


Halogen Free

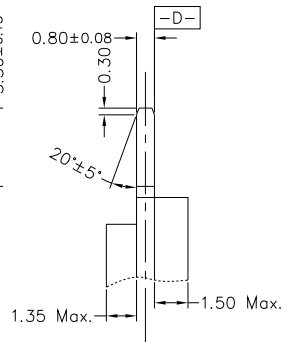


PLUG PCB

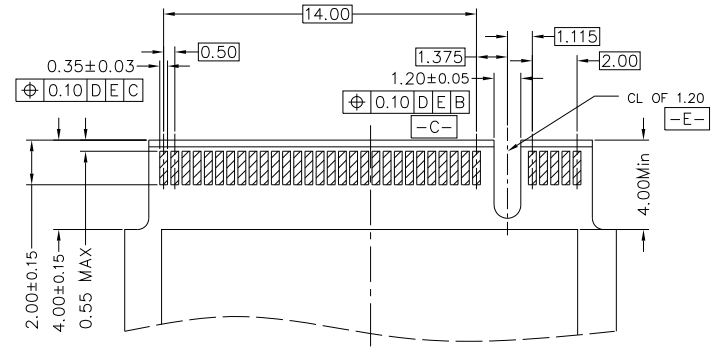
REV.	ECN NO.	LOCATION	DESCRIPTION	DATE	DESIGN
X1	NA	NA	INITIAL RELEASE	07/11'22	Jason.Huang



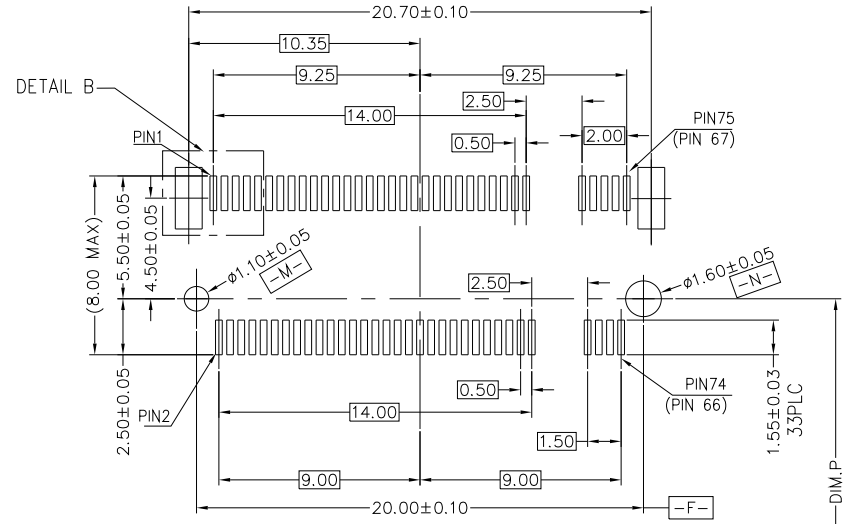
BOTTOM SIDE



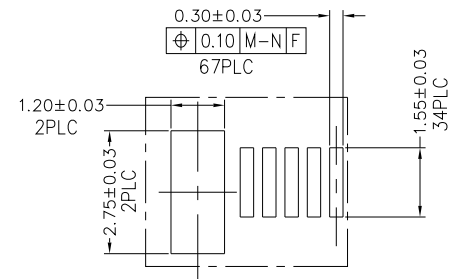
RECOMMENDED PCB LAYOUT



TOP SIDE

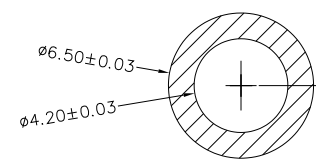


DETAIL B



DETAIL B SCALE 2:1

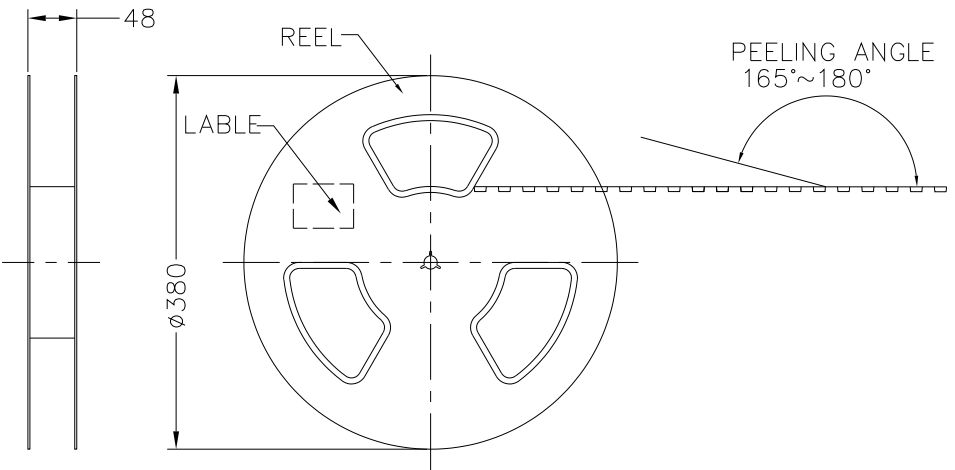
22110	107.60
2280	77.60
2260	57.60
2242	39.60
2230	27.60
3042	39.60
3030	27.60
MODULE TYPE	DIM P



<table border="1"> <thead> <tr><th>DIM</th><th>TOL</th></tr> </thead> <tbody> <tr><td>x</td><td>±0.35</td></tr> <tr><td>.x</td><td>±0.30</td></tr> <tr><td>.xx</td><td>±0.25</td></tr> <tr><td>.xxx</td><td>±0.15</td></tr> </tbody> </table>	DIM	TOL	x	±0.35	.x	±0.30	.xx	±0.25	.xxx	±0.15	<table border="1"> <thead> <tr><th>DIM</th><th>TOL</th></tr> </thead> <tbody> <tr><td>x</td><td>±2°</td></tr> <tr><td>.x</td><td>±1°</td></tr> </tbody> </table>	DIM	TOL	x	±2°	.x	±1°	<p>DEREN SHENZHEN DEREN ELECTRONIC CO., LTD</p>	<table border="1"> <tr> <td>CUSTOMER DRAWING</td> <td>DATE</td> </tr> <tr> <td>DESIGN: Jason Huang</td> <td>07/11'22</td> </tr> <tr> <td>CHECK: Bill Lin</td> <td>07/11'22</td> </tr> <tr> <td>APPROVAL: Bill Lin</td> <td>07/11'22</td> </tr> </table>		CUSTOMER DRAWING	DATE	DESIGN: Jason Huang	07/11'22	CHECK: Bill Lin	07/11'22	APPROVAL: Bill Lin	07/11'22	<table border="1"> <tr> <td>TITLE: M.2 GEN5 8.5H KEY-M</td> </tr> <tr> <td>P/N: SEE NOTE 10</td> </tr> <tr> <td>SHEET: 2/6</td> </tr> <tr> <td>SCALE: N/A</td> </tr> <tr> <td>UNIT: mm</td> </tr> </table>		TITLE: M.2 GEN5 8.5H KEY-M	P/N: SEE NOTE 10	SHEET: 2/6	SCALE: N/A	UNIT: mm
	DIM	TOL																																	
	x	±0.35																																	
	.x	±0.30																																	
.xx	±0.25																																		
.xxx	±0.15																																		
DIM	TOL																																		
x	±2°																																		
.x	±1°																																		
CUSTOMER DRAWING	DATE																																		
DESIGN: Jason Huang	07/11'22																																		
CHECK: Bill Lin	07/11'22																																		
APPROVAL: Bill Lin	07/11'22																																		
TITLE: M.2 GEN5 8.5H KEY-M																																			
P/N: SEE NOTE 10																																			
SHEET: 2/6																																			
SCALE: N/A																																			
UNIT: mm																																			
DRAW NO. SC2107702		REV. X1																																	

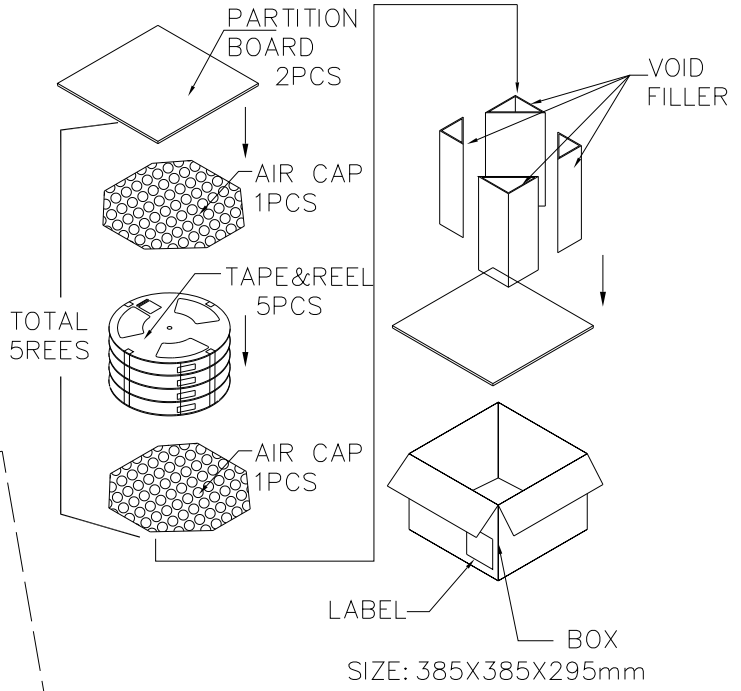


FEEDING DIRECTION →

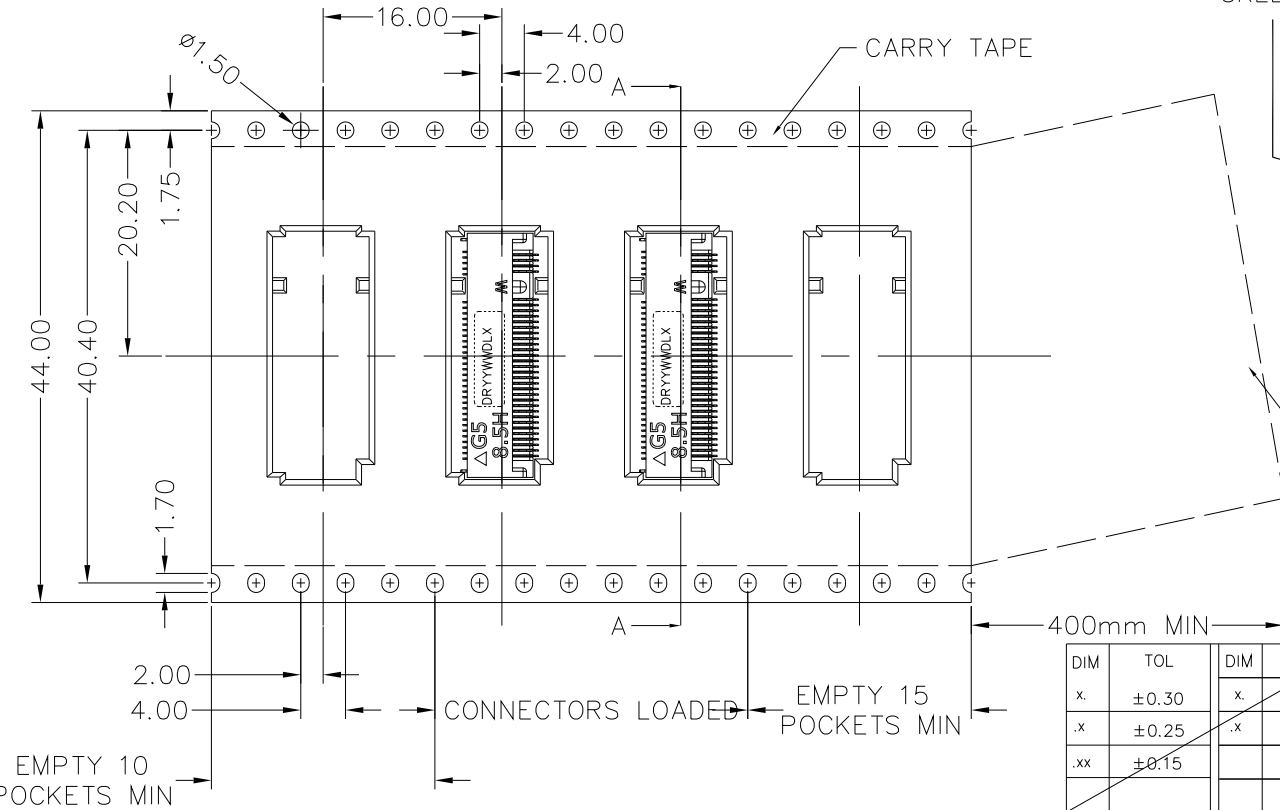


REV.	ECN NO.	LOCATION	DESCRIPTION	DATE	DESIGN
X1	NA	NA	INITIAL RELEASE	07/11'22	Jason.Huang

5621D3-015H -XB01
1: EMBOSS WIDTH 44mm, SLOT FORWARD



BOX
SIZE: 385X385X295mm



500	5	2500	X.XXKg	X.XXKg
PCS/TAPE	REELS/BOX	PCS/BOX	GROSS WEIGHT	NET WEIGHT



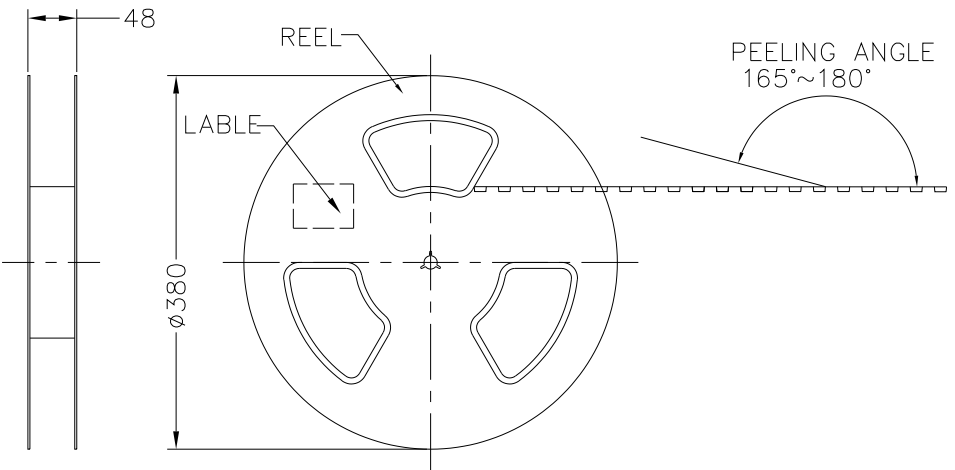
DEREN
SHENZHEN DEREN ELECTRONIC CO., LTD

DIM	TOL	DIM	TOL
x	±0.30	x	±2'
.x	±0.25	.x	±1'
.xx	±0.15		

DRAW NO. SC2107702	DESIGN: Jason Huang	DATE: 07/11'22	TITLE: M.2 GEN5 8.5H KEY-M
REV. X1	CHECK: Bill Lin	DATE: 07/11'22	P/N: SEE NOTE 10
APPROVAL: Bill Lin	DATE: 07/11'22	SHEET: 3/6	SCALE: N/A UNIT: mm

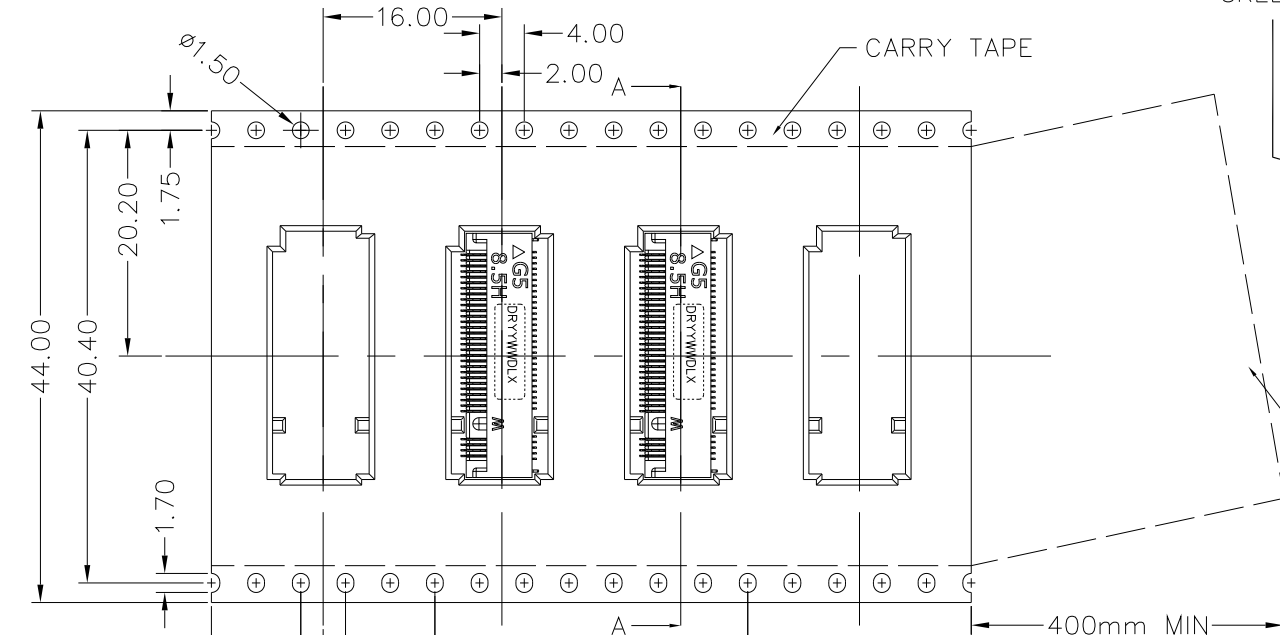
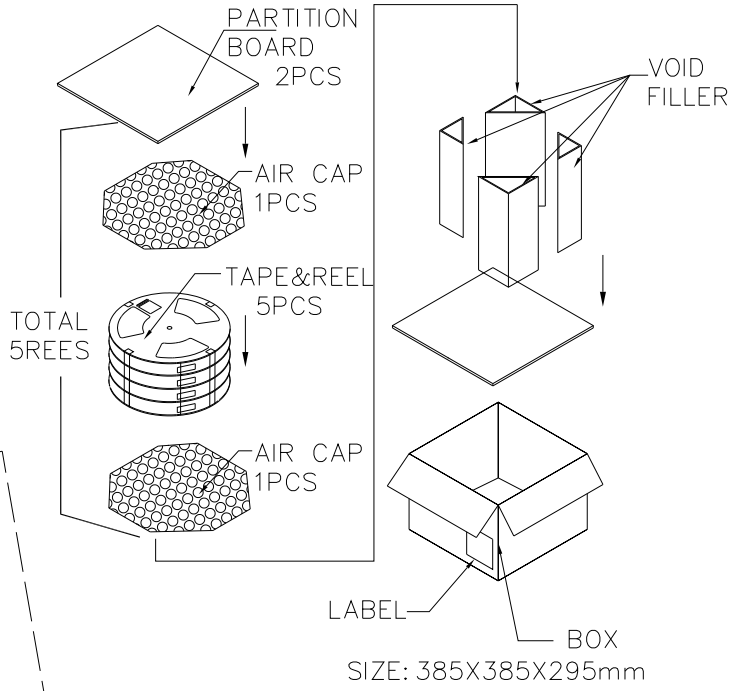


FEEDING DIRECTION →

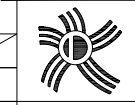


REV.	ECN NO.	LOCATION	DESCRIPTION	DATE	DESIGN
X1	NA	NA	INITIAL RELEASE	07/11'22	Jason.Huang

5621D3-015H -XB0R
R: EMBOSS WIDTH 44mm, SLOT BACKWARD



500	5	2500	X.XXKg	X.XXKg
PCS/TAPE	REELS/BOX	PCS/BOX	GROSS WEIGHT	NET WEIGHT



DEREN
SHENZHEN DEREN ELECTRONIC CO., LTD

DIM	TOL	DIM	TOL
x	±0.30	x	±2'
.x	±0.25	.x	±1'
.xx	±0.15		

DRAW NO. SC2107702	DESIGN: Jason Huang	DATE 07/11'22	TITLE: M.2 GEN5 8.5H KEY-M
REV. X1	CHECK: Bill Lin	DATE 07/11'22	P/N: SEE NOTE 10
APPROVAL: Bill Lin	DATE 07/11'22	SHEET: 4/6	SCALE: N/A UNIT: mm

EMPTY 10 POCKETS MIN

CONNECTORS LOADED

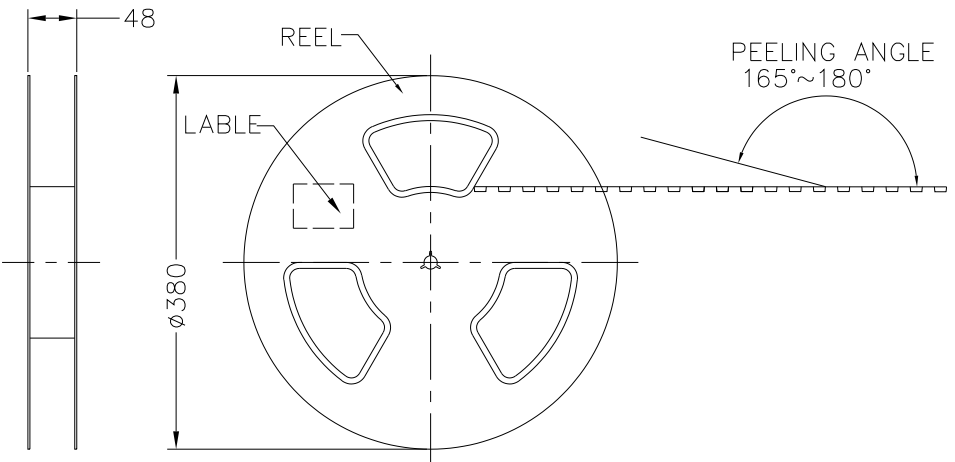
EMPTY 15 POCKETS MIN

REV.	ECN NO.	LOCATION	DESCRIPTION	DATE	DESIGN
X1	NA	NA	INITIAL RELEASE	07/11'22	Jason.Huang

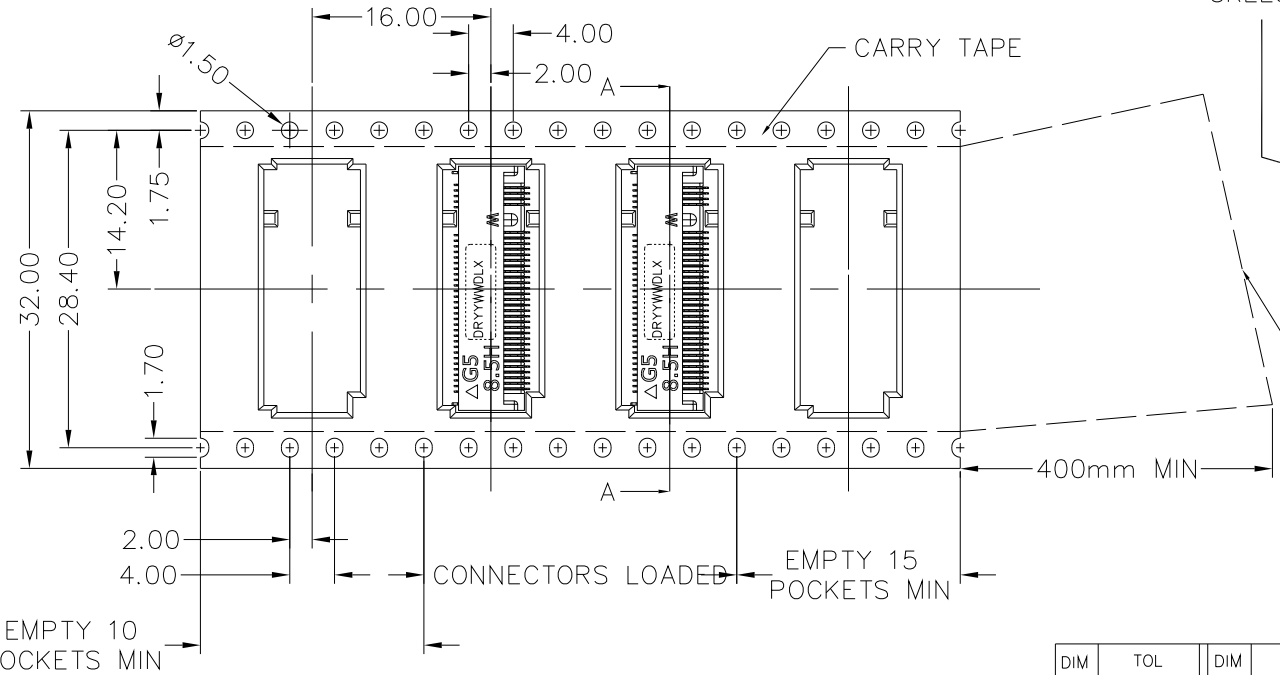
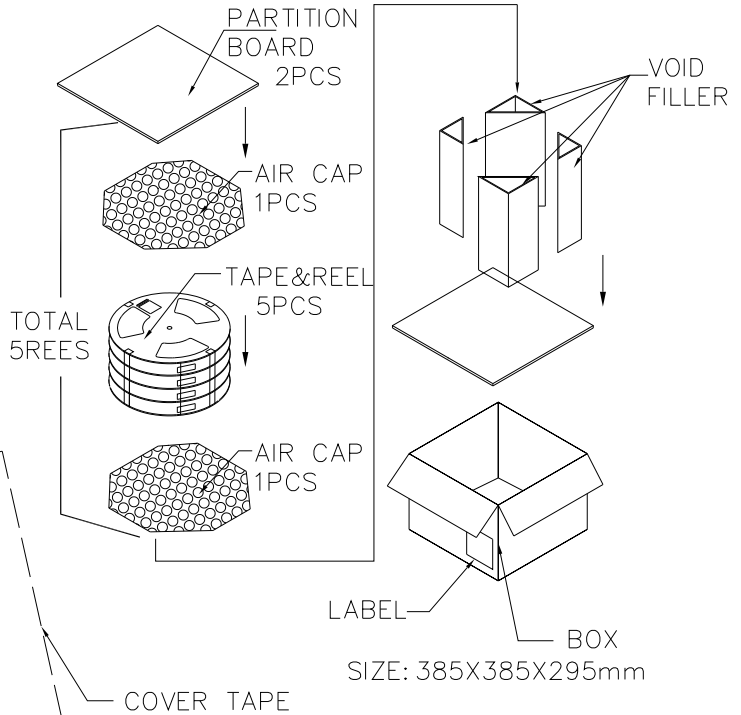
HF
Halogen Free



FEEDING DIRECTION →



5621D3-015H -XB02
2: EMBOSS WIDTH 32mm, SLOT FORWARD



500	5	2500	X.XXKg	X.XXKg
PCS/ TAPE	REELS/ BOX	PCS/BOX	GROSS WEIGHT	NET WEIGHT

DIM	TOL	DIM	TOL
x	±0.30	x	±2'
.x	±0.25	.x	±1'
.xx	±0.15		



DEREN
SHENZHEN DEREN ELECTRONIC CO., LTD

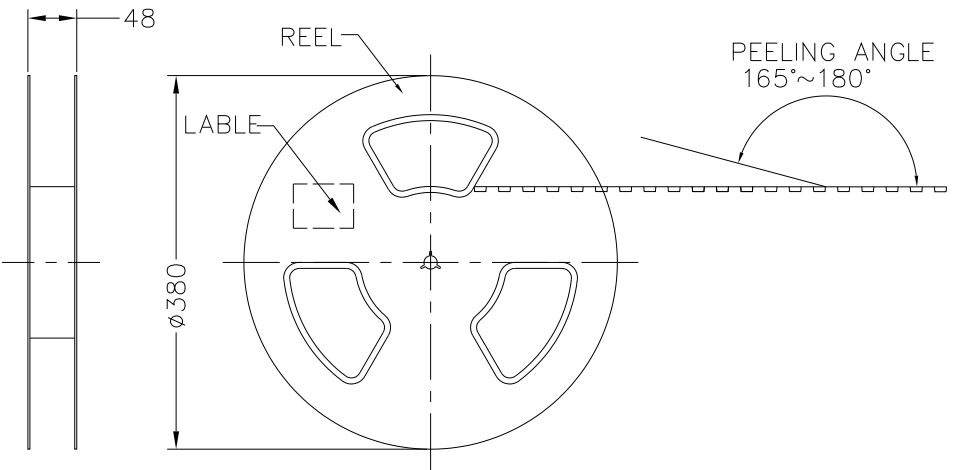
CUSTOMER DRAWING	DATE	TITLE: M.2 GEN5 8.5H KEY-M
DESIGN: Jason Huang	07/11'22	P/N: SEE NOTE 10
CHECK: Bill Lin	07/11'22	SHEET: 5/6
APPROVAL: Bill Lin	07/11'22	SCALE: N/A

UNIT: mm

EMPTY 10 POCKETS MIN

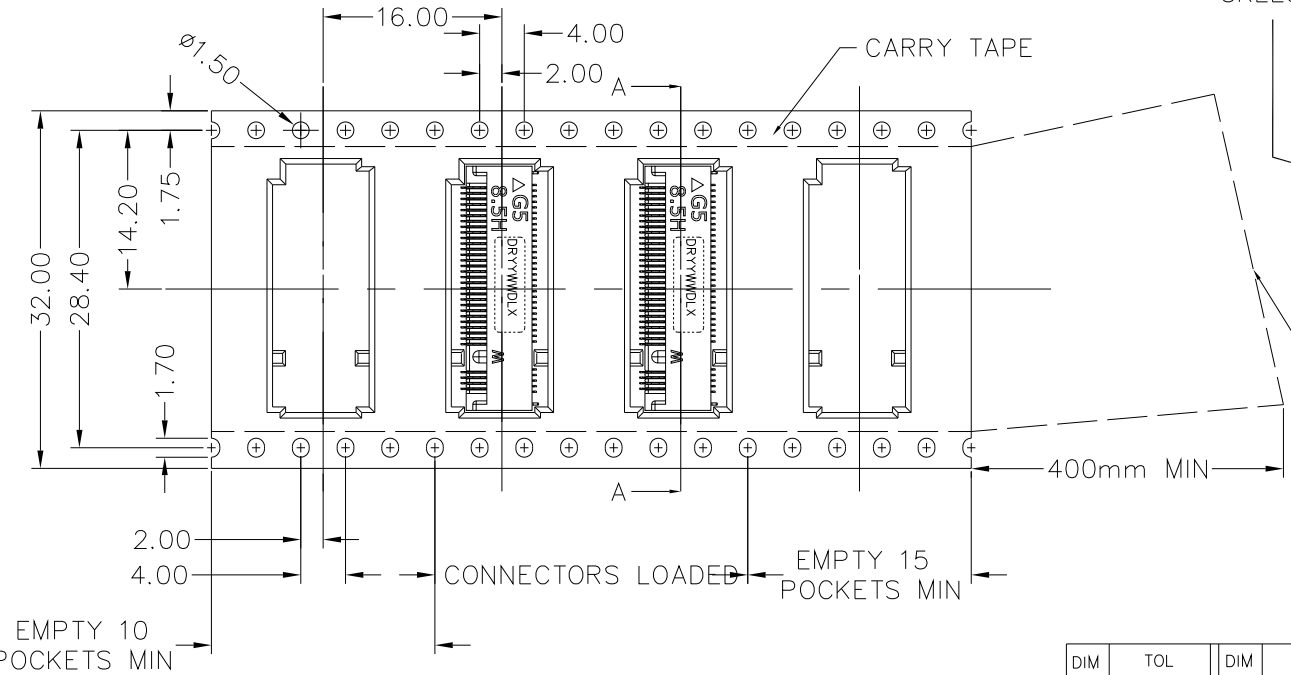
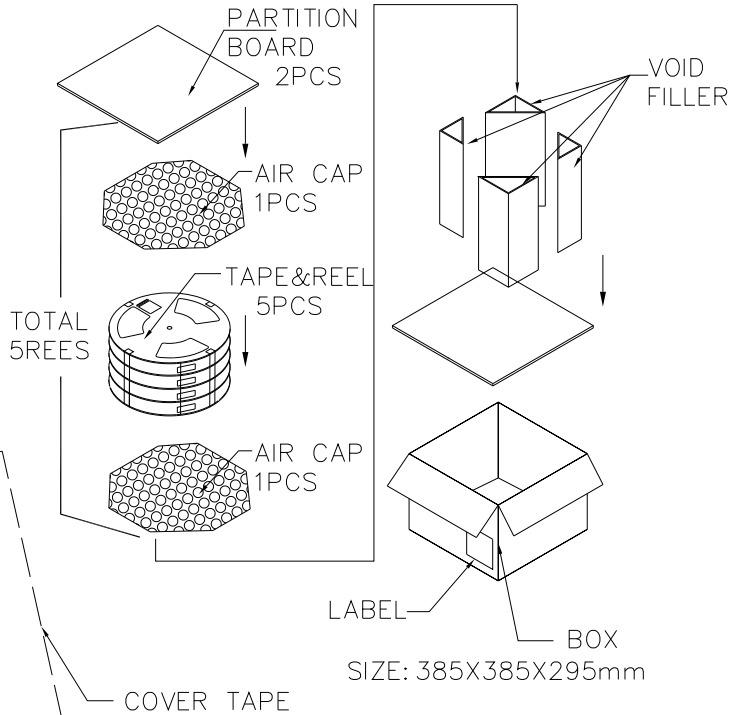


FEEDING DIRECTION →



REV.	ECN NO.	LOCATION	DESCRIPTION	DATE	DESIGN
X1	NA	NA	INITIAL RELEASE	07/11'22	Jason.Huang

5621D3-015H -XB03
3: EMBOSS WIDTH 32mm, SLOT BACKWARD



500	5	2500	X.XXKg	X.XXKg
PCS/TAPE	REELS/BOX	PCS/BOX	GROSS WEIGHT	NET WEIGHT

DIM	TOL	DIM	TOL
x	±0.30	x	±2'
.x	±0.25	.x	±1'
.xx	±0.15		



DEREN SHENZHEN DEREN ELECTRONIC CO., LTD			
CUSTOMER DRAWING		DATE	
DRAW NO. SC2107702		DESIGN: Jason Huang 07/11'22	
REV. X1		CHECK: Bill Lin 07/11'22	
APPROVAL: Bill Lin 07/11'22		TITLE: M.2 GEN5 8.5H KEY-M	
P/N: SEE NOTE 10		SHEET: 6/6	
SCALE: N/A		UNIT: mm	