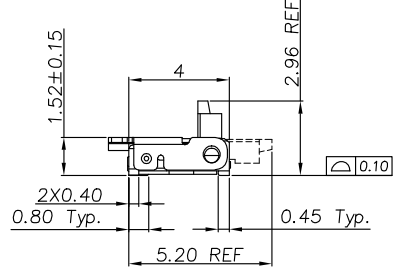
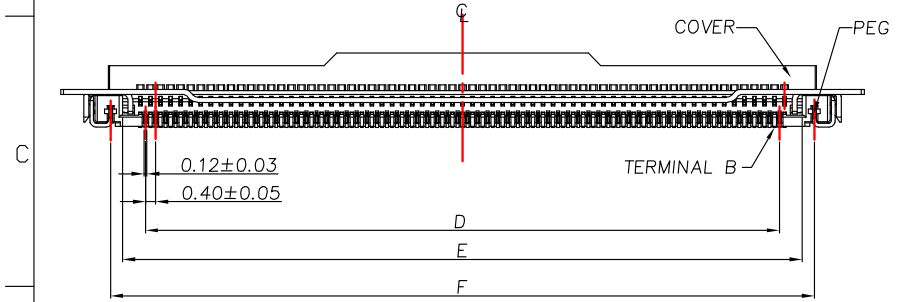
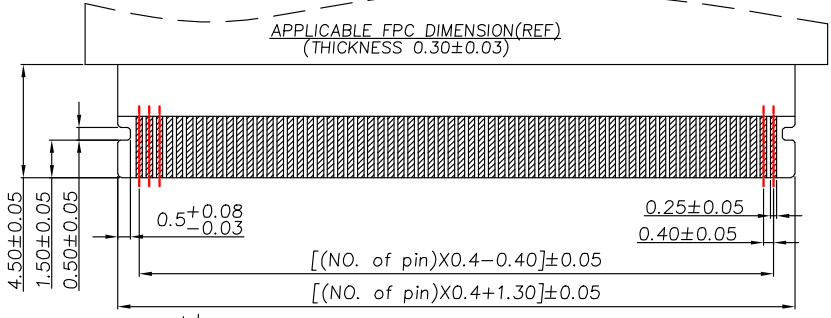
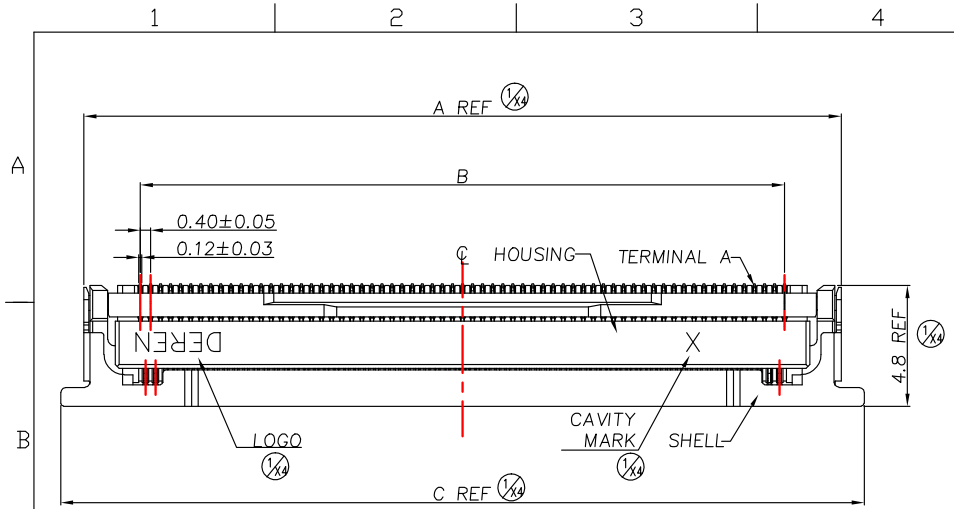
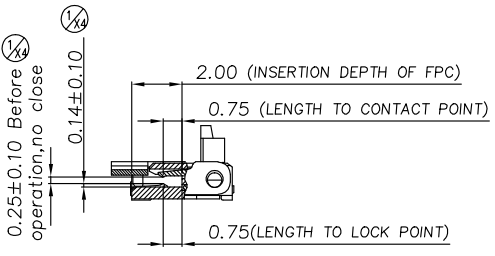
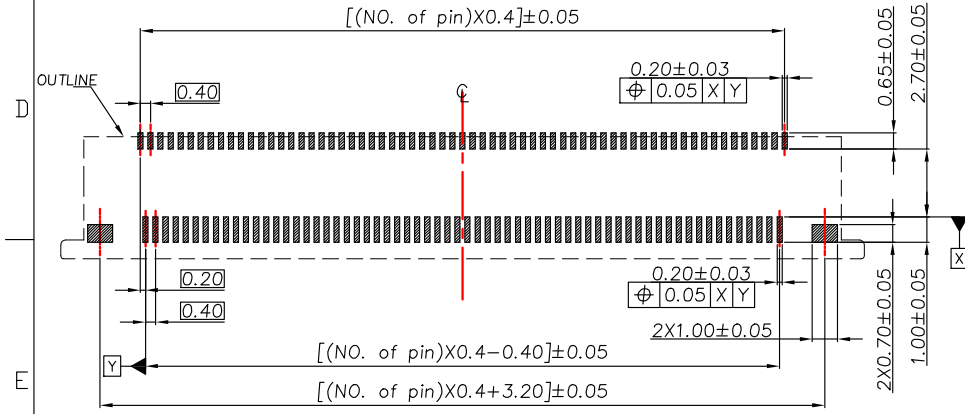


REV.	ECN NO.	LOCATION	DESCRIPTION	DATE	DESIGN
X4		(X4)	Revise drawing dimensional tolerance, add packing specification	2022.09.26	JACKY



NO.OF PIN	A	B	C	D	E	F
50	24.50	20.00	26.34	19.60	21.40	22.37
64	30.10	25.60	31.94	25.20	27.00	27.97
70	32.50	28.00	34.34	27.60	29.40	30.37

- NOTES:
- MATERIAL
 HOUSING: HEAT RESISTANCE, UL94V-0 ,NATURAL
 COVER: HEAT RESISTANCE, UL94V-0 ,BLACK.
 TERMINAL: COPPER ALLOY
 PEG: COPPER ALLOY
 SHELL: STAINLESS
 - ELECTICAL CHARACTERISTIC
 2.1 VOLTAGE RATING: AC/DC 30V
 2.2 CURRENT RATING: 0.2A
 2.3 CONTACT RESISTANCE: 50mΩ MAX (INITIAL)
 2.4 INSULATOR RESISTANCE: 50MΩ MIN
 2.5 DIELECTRIC WITHSTANDING VOLTAGE:
 100V AC RMS FOR 1 MINUTE
 - OPERATING TEMPERATURE: -20°C TO +85°C
 - PART NUMBER: 56XXBC-001H



NO. OF PIN
 1H: 50PIN
 1Y: 64PIN
 24: 70PIN

DIM	TOL	DIM	TOL
.x	±0.30	.x	±2'
.x	±0.25	.x	±1'
.xx	±0.15		

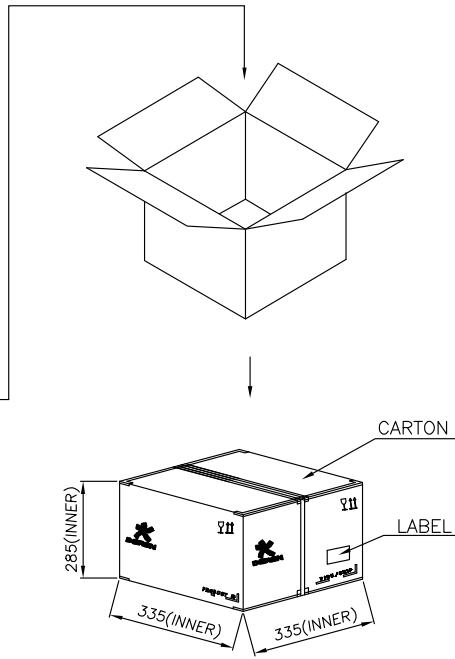
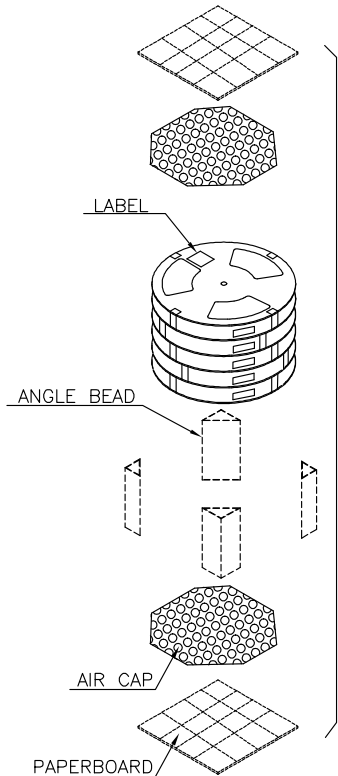
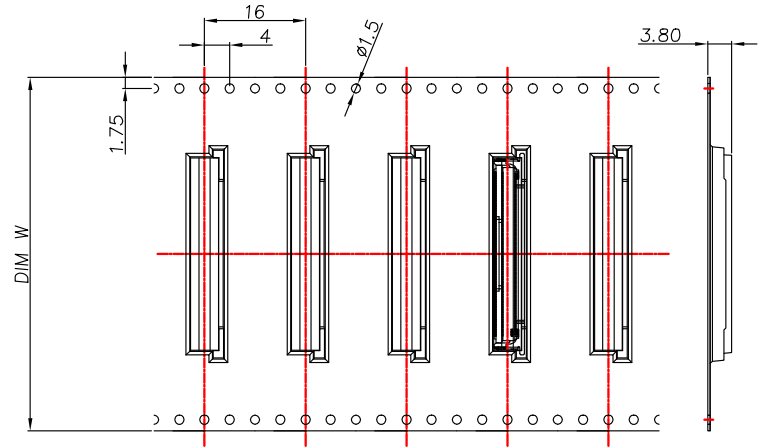
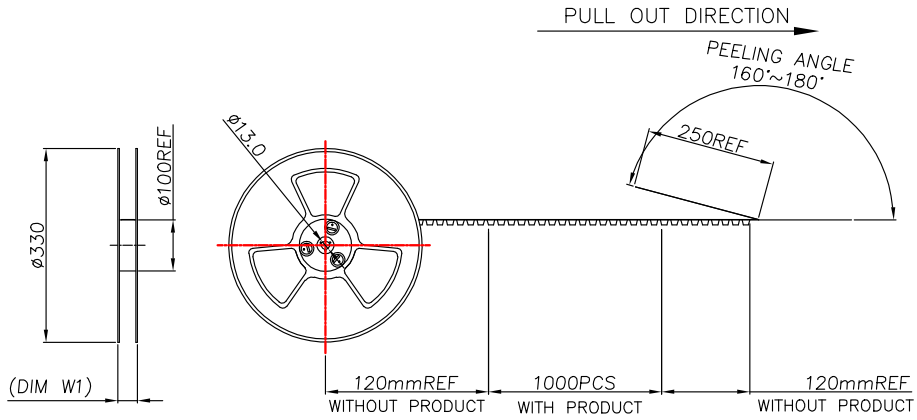


DEREN
 SHENZHEN DEREN ELECTRONIC CO., LTD

CUSTOMER DRAWING	DATE	TITLE:
DESIGN: JACKY	2022.09.26	FPC/FPC Pin 0.4 H=1.52mm R/A SMT BACK FLIP TYPE
SC2208043	CHECK:	P/N: 56XXBC-001H
REV. X4	APPROVAL:	SHEET: 1/2
		SCALE: 1:1 UNIT: mm

HF
Halogen Free

REV.	ECN NO.	LOCATION	DESCRIPTION	DATE	DESIGN
X4		1/4	Revise drawing dimensional tolerance, add packing specification	2022.09.26	JACKY



NOTES:

- MATERIAL: CARRIER TAPE: PET; COLOR: CLEAR
REEL: PS; COLOR: BLUE
- PACKAGE QUANTITY: SEE TABLE

NO.OF PIN	PCS/REEL	REEL/BOX	PCS/BOX	DIM W	DIM W1
50	1000	5	5000	44.5	48.5
64	1000	4	4000	56.4	60.4
70	1000	4	4000	56.4	60.4

DIM	TOL	DIM	TOL
x.	±0.30	x.	±2°
.x	±0.25	.x	±1°
.xx	±0.15		



DEREN
SHENZHEN DEREN ELECTRONIC CO., LTD

CUSTOMER DRAWING		DATE	TITLE: FPC/FPC Pin:0.4 H=1.52mm R/A SMT BACK FLIP TYPE	
DESIGN:	JACKY	2022.09.26	P/N: 56XXBC-001H	
CHECK:			SHEET:	2/2
REV. X4	APPROVAL:		SCALE:	1:1
			UNIT:	mm

1 2 3 4 5 6 7 8