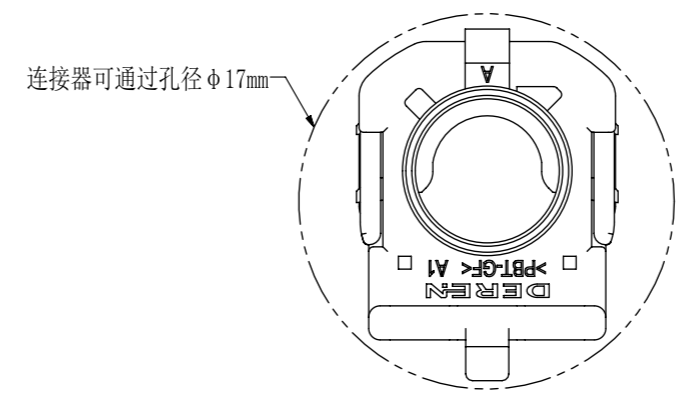
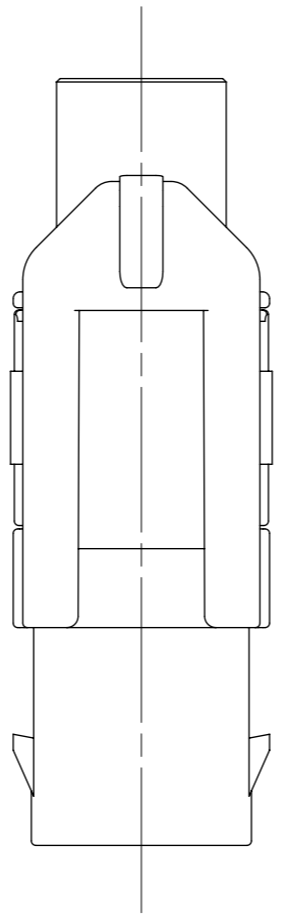
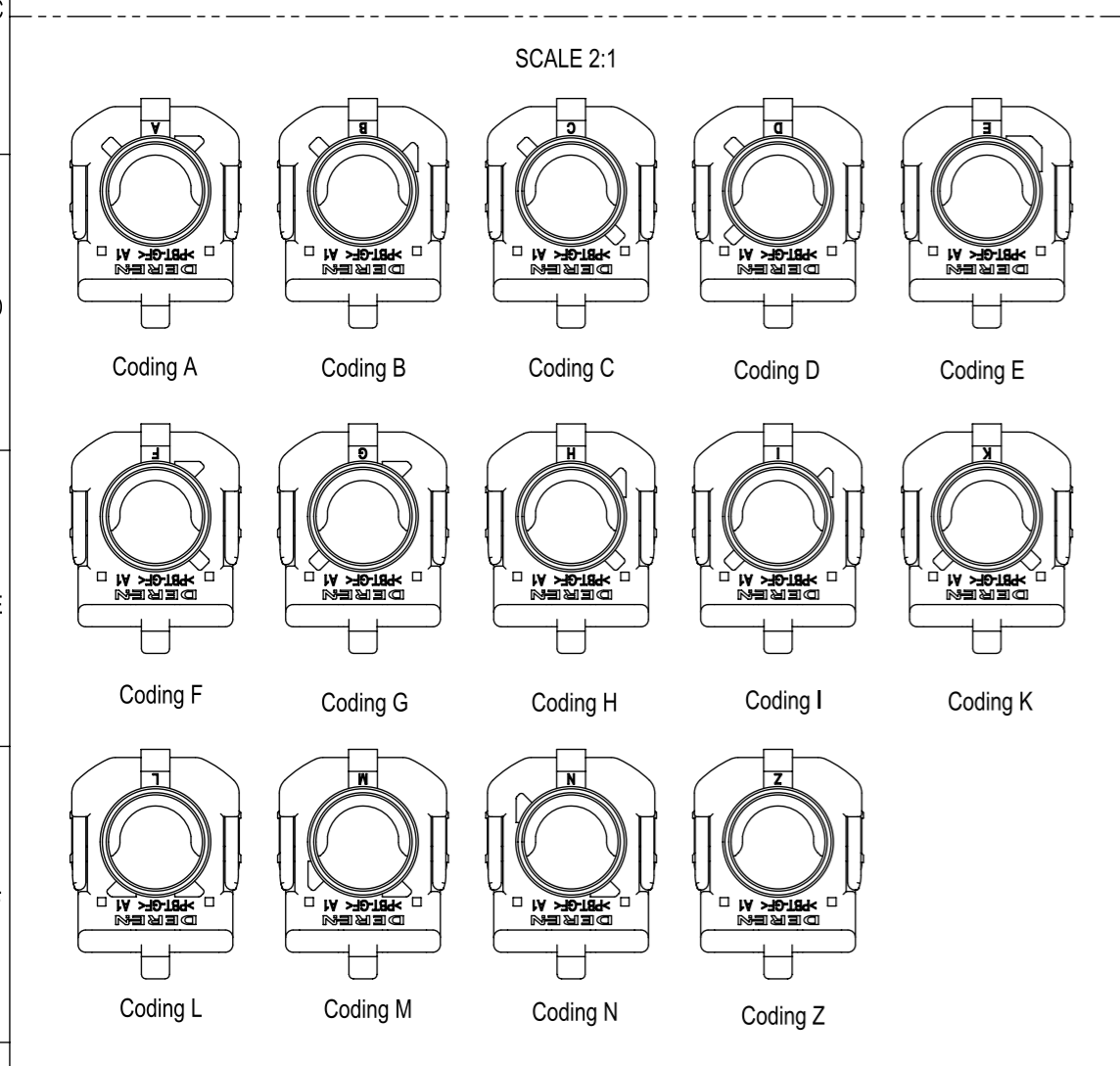
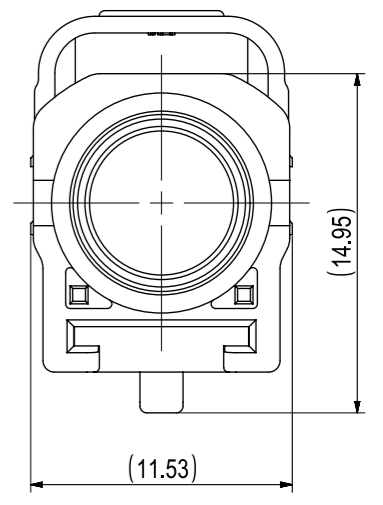
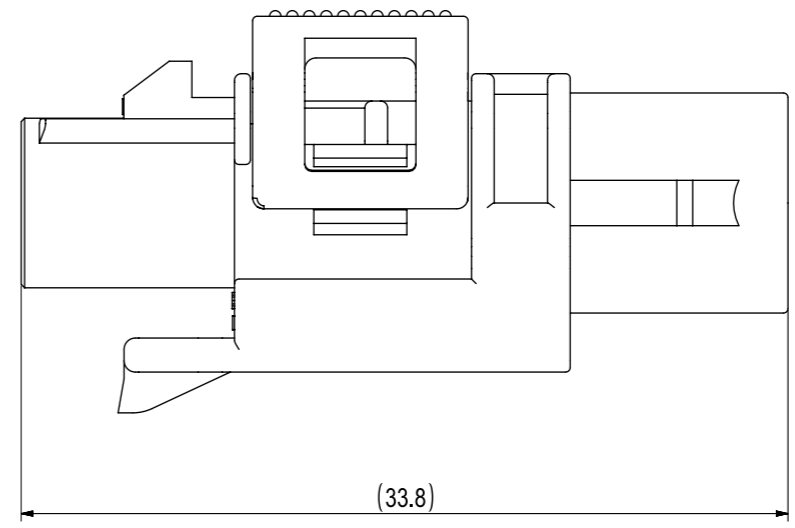
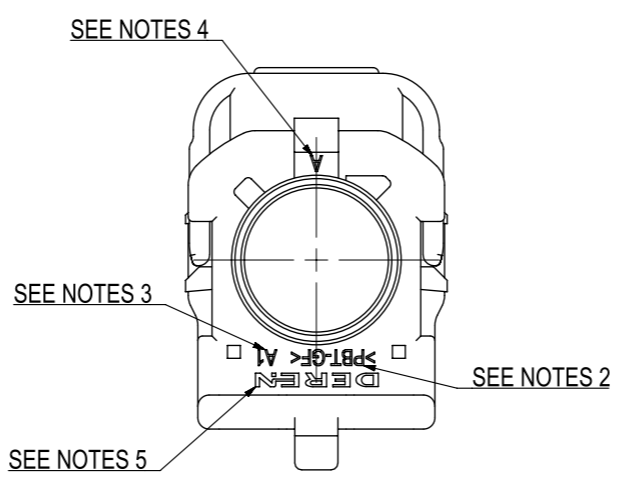
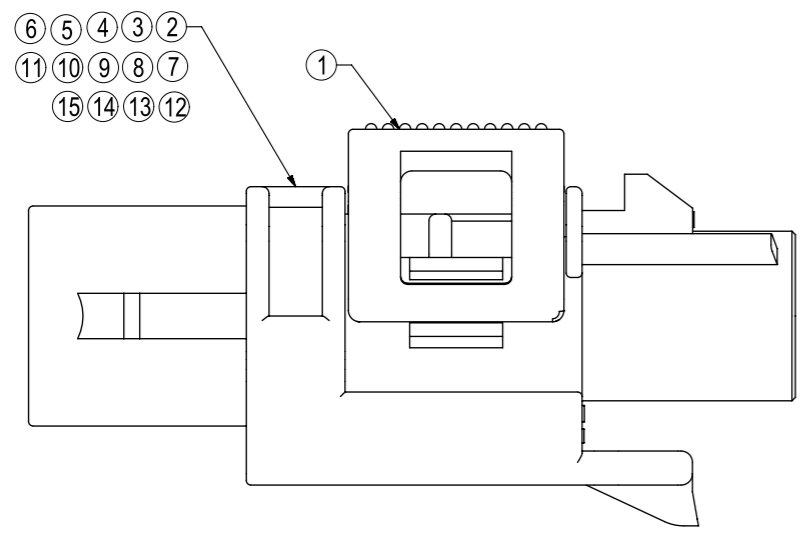




REV.	ECN NO.	LOCATION	DESCRIPTION	DATE	DESIGNER
A	INITIAL RELEASE	2018/4/19	赵才



ANGLE		± 2°
250		± 2.0
100	250	± 1.4
50	100	± 0.8
10	50	± 0.5
0	10	± 0.3
>	<	
GENERAL TOLERANCE		

- NOTES:
- MUST BE FREE OF FLASH, SHRINKS AND IMPERFECTION THAT AFFECT FUNCTION.
 - MATERIAL IDENTIFICATION, HEIGHT 0.7mm/0.06mm SUNK TO BE LOCATED AS SHOWN.
 - MOLD CAVITY NUMBER HEIGHT 0.7mm/0.06mm RAISED TO BE LOCATED AS SHOWN.
 - CODING NUMBER HEIGHT 0.7mm/0.05mm RAISED TO BE LOCATED AS SHOWN.
 - CORPORATE BRAND HEIGHT 0.6mm/0.06mm RAISED TO BE LOCATED AS SHOWN.

NO.	CODING	DEREN P/N.	REV.	MATERIAL	SURFACE COLOR	VOLUME(CM ³)	WEIGHT(g)	NOTES
15	Z	650102-025R	A	PBT-GF	WATER BLUE	1.34	1.84	—
14	N	650102-024R	A	PBT-GF	PASTEL GREEN	1.34	1.84	—
13	M	650102-023R	A	PBT-GF	PASTEL ORANGE	1.34	1.84	—
12	L	650102-022R	A	PBT-GF	CARMINE RED	1.34	1.84	—
11	K	650102-021R	A	PBT-GF	CURRY	1.34	1.84	—
10	I	650102-020R	A	PBT-GF	BEIGE	1.34	1.84	—
9	H	650102-019R	A	PBT-GF	VIOLET	1.34	1.84	—
8	G	650102-018R	A	PBT-GF	GREY	1.34	1.84	—
7	F	650102-017R	A	PBT-GF	BROWN	1.34	1.84	—
6	E	650102-016R	A	PBT-GF	GREEN	1.34	1.84	—
5	D	650102-015R	A	PBT-GF	BORDEAUX	1.34	1.84	—
4	C	650102-014R	A	PBT-GF	BLUE	1.34	1.84	—
3	B	650102-013R	A	PBT-GF	WHITE	1.34	1.84	—
2	A	650102-012R	A	PBT-GF	BLACK	1.34	1.84	—
1		650799-020R	A	PBT-GF	VIOLET	0.18	0.25	—
①+15	Z	6A0102-017R	A	—	—	—	—	—
①+14	N	6A0102-016R	A	—	—	—	—	—
①+13	M	6A0102-015R	A	—	—	—	—	—
①+12	L	6A0102-014R	A	—	—	—	—	—
①+11	K	6A0102-013R	A	—	—	—	—	—
①+10	I	6A0102-012R	A	—	—	—	—	—
①+9	H	6A0102-011R	A	—	—	—	—	—
①+8	G	6A0102-010R	A	—	—	—	—	—
①+7	F	6A0102-009R	A	—	—	—	—	—
①+6	E	6A0102-008R	A	—	—	—	—	—
①+5	D	6A0102-007R	A	—	—	—	—	—
①+4	C	6A0102-006R	A	—	—	—	—	—
①+3	B	6A0102-005R	A	—	—	—	—	—
①+2	A	6A0102-004R	A	—	—	—	—	—

DEREN
SHENZHEN DEREN ELECTRONIC CO., LTD

CUSTOMER DRAWING DATE 2018/4/19 TITLE: Fakra sealed single male connector ASSY

DESIGN: 赵才 P/N: SEE TABLE SHEET: 1/1

CHECK: SCALE: 3:1 UNIT: Mm

APPROVAL: SHEET SIZE: AS