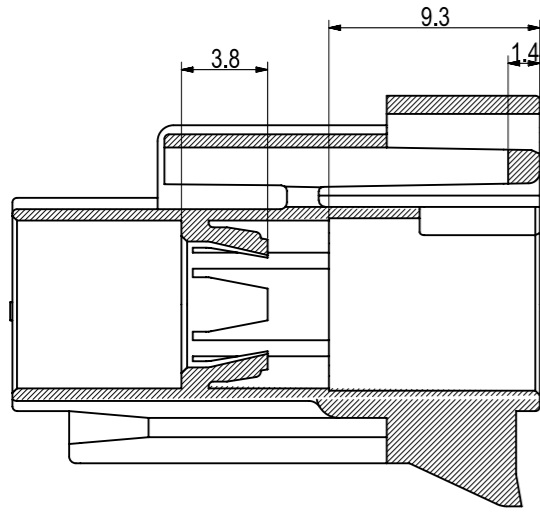
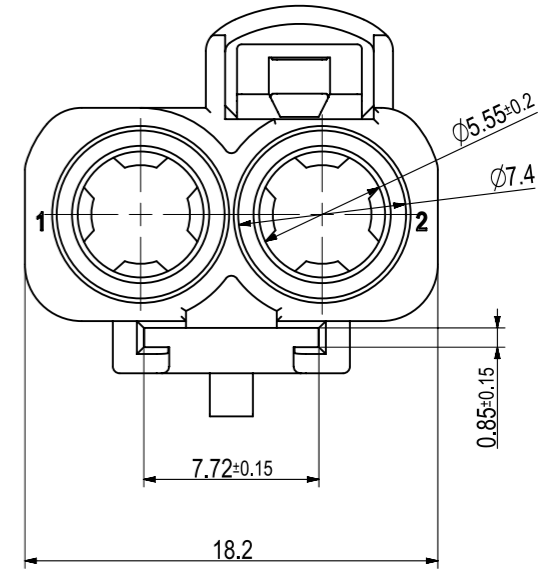
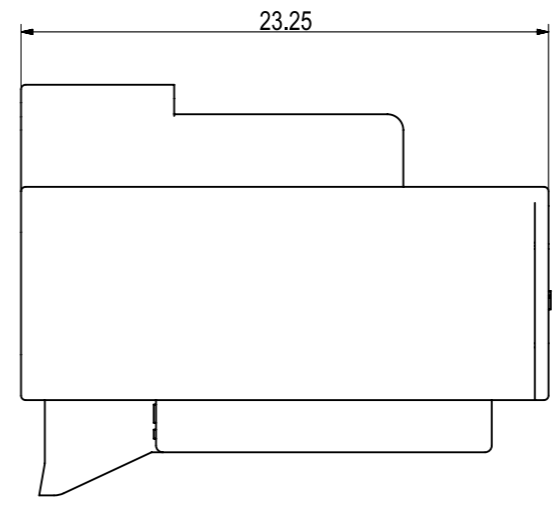
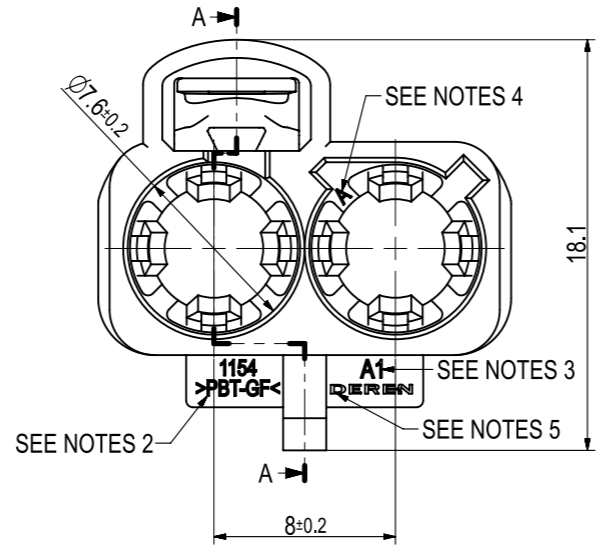




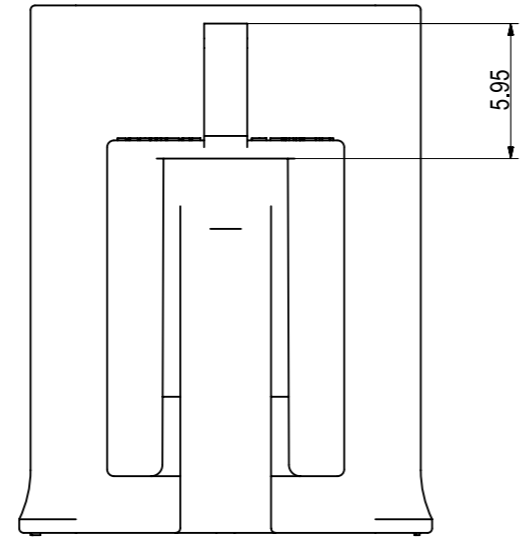
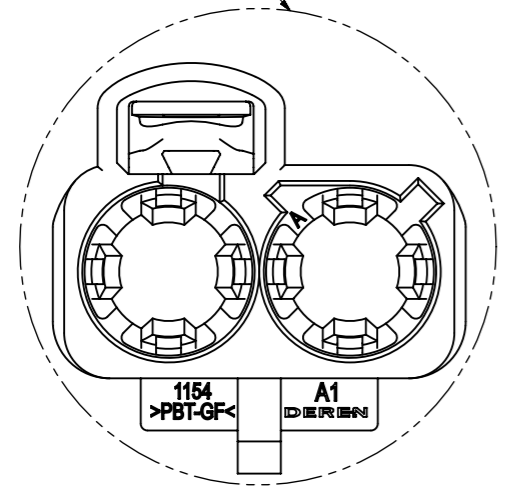
REV.	ECN NO.	LOCATION	DESCRIPTION	DATE	DESIGNER
A	---	---	INITIAL RELEASE	2019/4/4	赵才



SECTION A-A



连接器可通过孔径 $\phi 21\text{mm}$

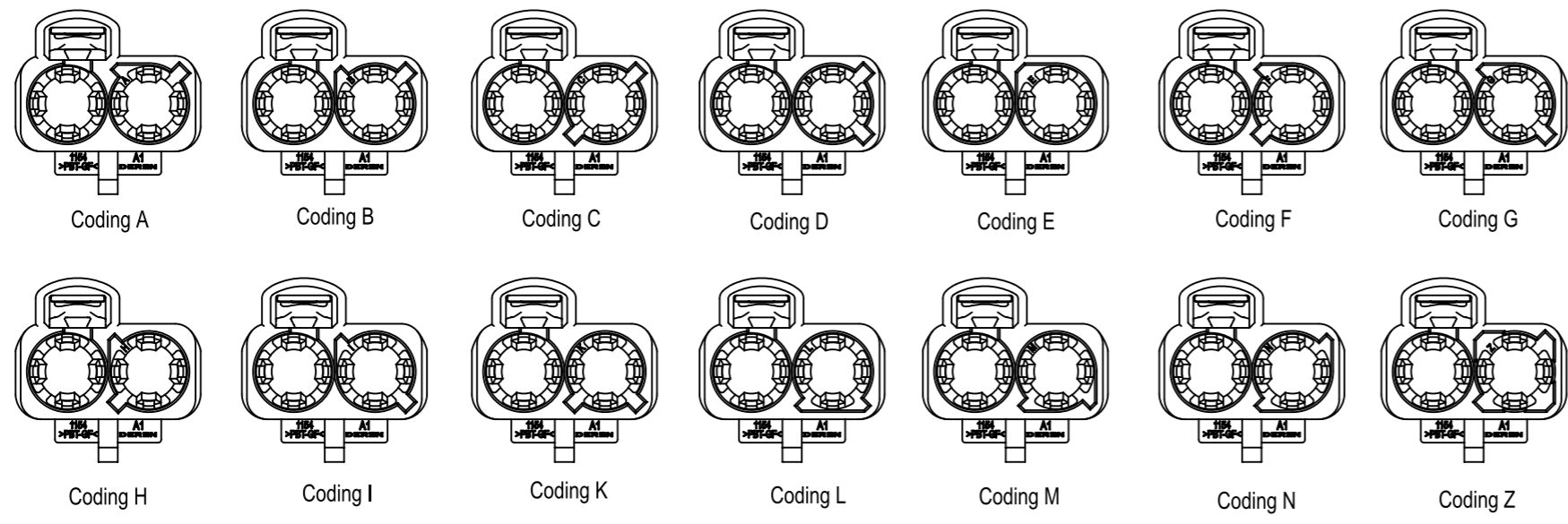


NOTES:

- MUST BE FREE OF FLASH, SHRINKS AND IMPERFECTION THAT AFFECT FUNCTION.
- MATERIAL IDENTIFICATION, HEIGHT 1mm/0.1mm SUNK TO BE LOCATED AS SHOWN.
- MOLD CAVITY NUMBER HEIGHT 1mm/0.1mm RAISED TO BE LOCATED AS SHOWN.
- CODING NUMBER HEIGHT 0.7mm/0.05mm RAISED TO BE LOCATED AS SHOWN.
- CORPORATE BRAND HEIGHT 1mm/0.1mm RAISED TO BE LOCATED AS SHOWN.

14	Z	6A0103-107R	A	PBT-GF	WATER BLUE	1.98	---	---
13	N	6A0103-106R	A	PBT-GF	PASTEL GREEN	1.98	---	---
12	M	6A0103-105R	A	PBT-GF	PASTEL ORANGE	1.98	---	---
11	L	6A0103-104R	A	PBT-GF	CARMINE RED	1.98	---	---
10	K	6A0103-103R	A	PBT-GF	CURRY	1.98	---	---
9	I	6A0103-102R	A	PBT-GF	BEIGE	1.98	---	---
8	H	6A0103-101R	A	PBT-GF	VIOLET	1.98	---	---
7	G	6A0103-100R	A	PBT-GF	GREY	1.98	---	---
6	F	6A0103-099R	A	PBT-GF	BROWN	1.98	---	---
5	E	6A0103-098R	A	PBT-GF	GREEN	1.98	---	---
4	D	6A0103-097R	A	PBT-GF	BORDEAUX	1.98	---	---
3	C	6A0103-096R	A	PBT-GF	BLUE	1.98	---	---
2	B	6A0103-095R	A	PBT-GF	WHITE	1.98	---	---
1	A	6A0103-094R	A	PBT-GF	BLACK	1.98	---	---
NO.	CODING	DEREN P/N.	REV	MATERIAL	SURFACE COLOR	VOLUME (CM ³)	WEIGHT (g)	NOTES

SCALE 2 : 1



ANGLE	$\pm 2^\circ$	
250		± 2.0
100	250	± 1.4
50	100	± 0.8
10	50	± 0.5
0	10	± 0.3
>	<	
GENERAL TOLERANCE		

	DEREN SHENZHEN DEREN ELECTRONIC CO., LTD			SHEET SIZE A3		
	CUSTOMER DRAWING		DATE		TITLE: Fakra double female+groove connector ASSY	
DRAW NO. SA1901112		DESIGN: 赵才	2019/4/4		P/N: SEE TABLE	
REV. A	APPROVAL:				SHEET: 1/1	
			SCALE: 3:1	UNIT: Mm		