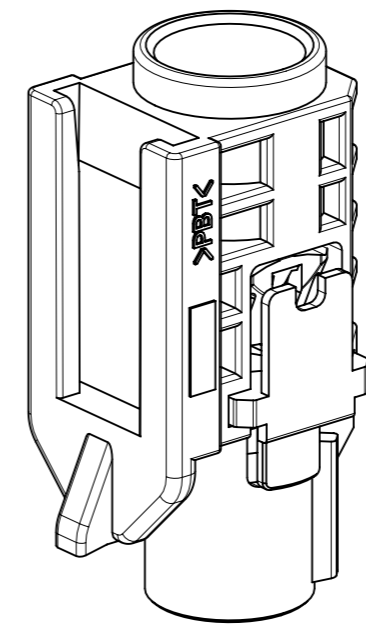
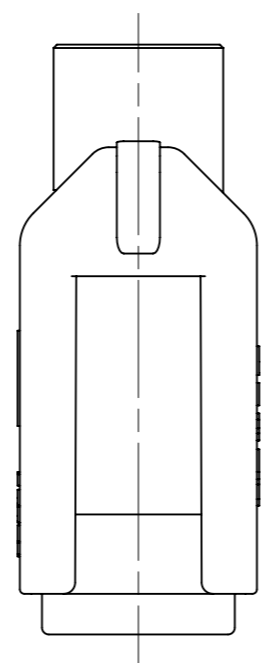
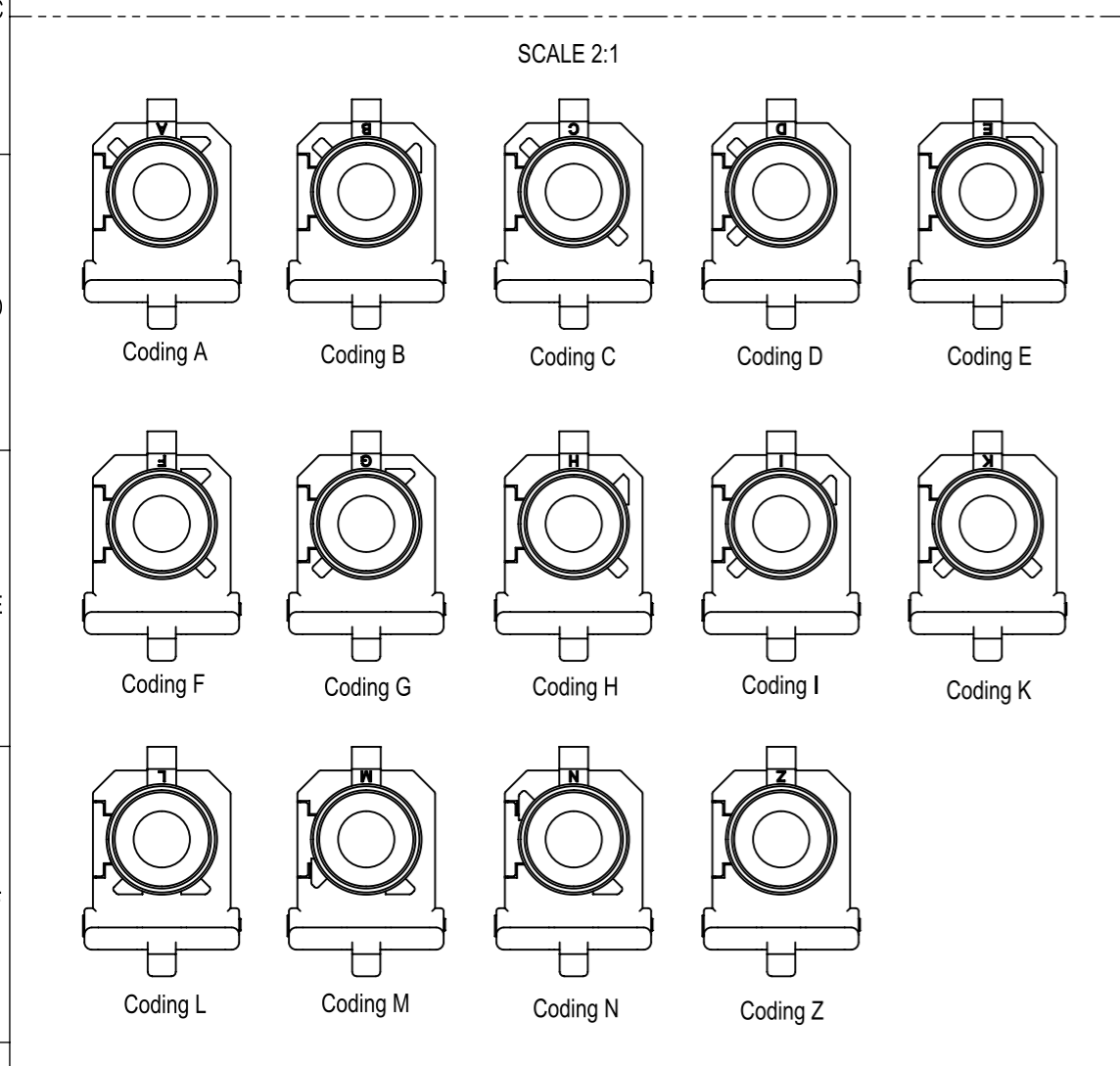
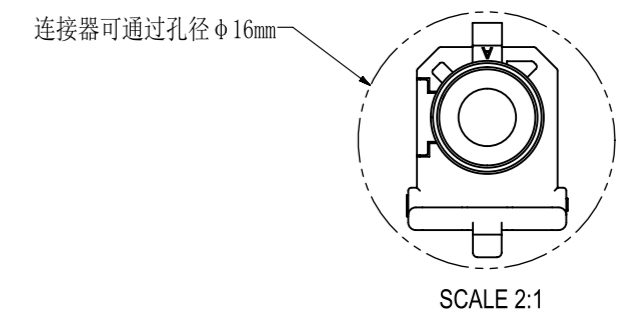
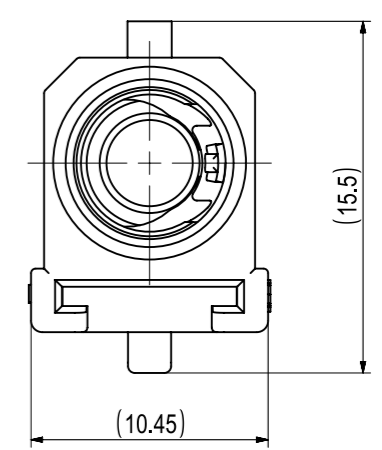
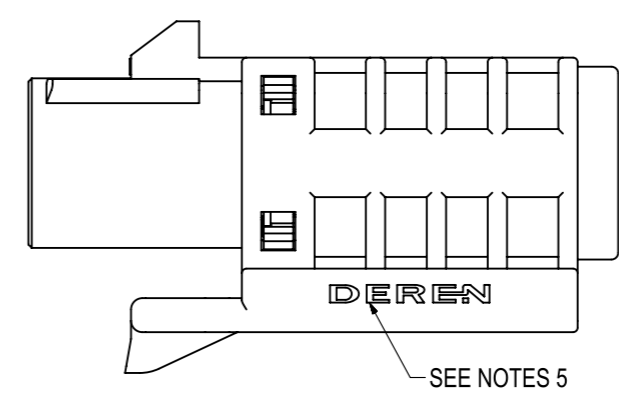
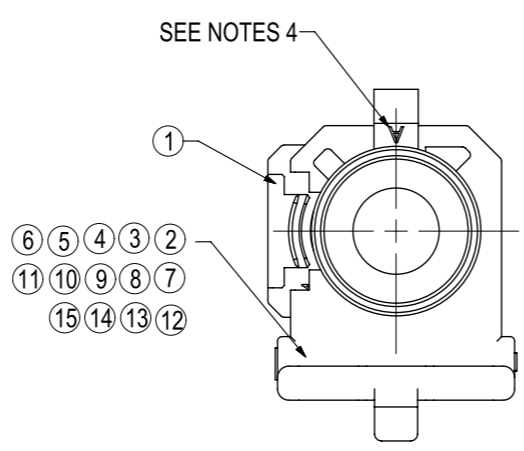
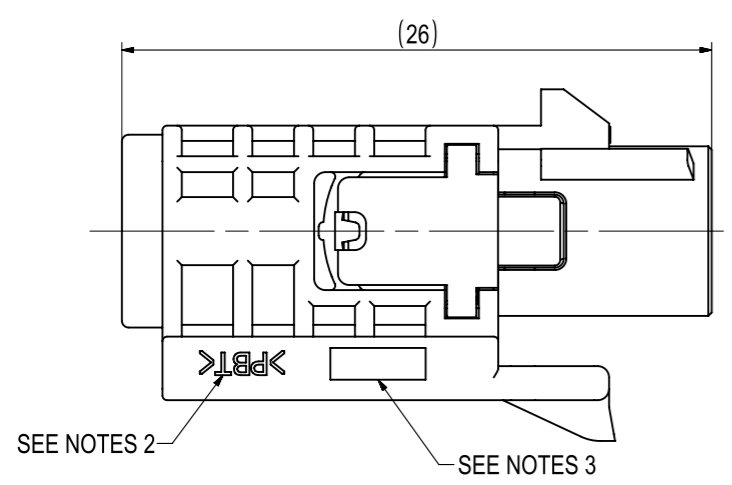




REV.	ECN NO.	LOCATION	DESCRIPTION	DATE	DESIGNER
A	INITIAL RELEASE	2018/1/17	赵才



NO.	CODING	DEREN P.N.	REV.	MATERIAL	SURFACE COLOR	VOLUME(CM ³)	WEIGHT(g)	NOTES
15	Z	650104-036R	A	PBT-GF	WATER BLUE	1.03	1.35	—
14	N	650104-035R	A	PBT-GF	PASTEL GREEN	1.03	1.35	—
13	M	650104-034R	A	PBT-GF	PASTEL ORANGE	1.03	1.35	—
12	L	650104-033R	A	PBT-GF	CARMINE RED	1.03	1.35	—
11	K	650104-032R	A	PBT-GF	CURRY	1.03	1.35	—
10	I	650104-031R	A	PBT-GF	BEIGE	1.03	1.35	—
9	H	650104-030R	A	PBT-GF	VIOLET	1.03	1.35	—
8	G	650104-029R	A	PBT-GF	GREY	1.03	1.35	—
7	F	650104-028R	A	PBT-GF	BROWN	1.03	1.35	—
6	E	650104-027R	A	PBT-GF	GREEN	1.03	1.35	—
5	D	650104-026R	A	PBT-GF	BORDEAUX	1.03	1.35	—
4	C	650104-025R	A	PBT-GF	BLUE	1.03	1.35	—
3	B	650104-024R	A	PBT-GF	WHITE	1.03	1.35	—
2	A	650104-023R	A	PBT-GF	BLACK	1.03	1.35	—
1		650799-016R	A	PBT-GF	VIOLET	0.067	0.1	—
①+15	Z	6A0104-018R	A	—	—	—	—	—
①+14	N	6A0104-017R	A	—	—	—	—	—
①+13	M	6A0104-016R	A	—	—	—	—	—
①+12	L	6A0104-015R	A	—	—	—	—	—
①+11	K	6A0104-014R	A	—	—	—	—	—
①+10	I	6A0104-013R	A	—	—	—	—	—
①+9	H	6A0104-012R	A	—	—	—	—	—
①+8	G	6A0104-011R	A	—	—	—	—	—
①+7	F	6A0104-010R	A	—	—	—	—	—
①+6	E	6A0104-009R	A	—	—	—	—	—
①+5	D	6A0104-008R	A	—	—	—	—	—
①+4	C	6A0104-007R	A	—	—	—	—	—
①+3	B	6A0104-006R	A	—	—	—	—	—
①+2	A	6A0104-005R	A	—	—	—	—	—

- NOTES:
- MUST BE FREE OF FLASH, SHRINKS AND IMPERFECTION THAT AFFECT FUNCTION.
 - MATERIAL IDENTIFICATION, HEIGHT 1.0mm/0.1mm SUNK TO BE LOCATED AS SHOWN.
 - MOLD CAVITY NUMBER HEIGHT 1.0mm/0.1mm RAISED TO BE LOCATED AS SHOWN.
 - CODING NUMBER HEIGHT 0.7mm/0.08mm RAISED TO BE LOCATED AS SHOWN.
 - CORPORATE BRAND HEIGHT 1.0mm/0.1mm RAISED TO BE LOCATED AS SHOWN.

ANGLE		± 2°
250		± 2.0
100	250	± 1.4
50	100	± 0.8
10	50	± 0.5
0	10	± 0.3
>	<	
GENERAL TOLERANCE		

DEREN
SHENZHEN DEREN ELECTRONIC CO., LTD

CUSTOMER DRAWING DATE: 2018/1/17
TITLE: Fakra unsealed single male connector ASSY

DRAW NO. SA1800653
DESIGN: 赵才
CHECK:
APPROVAL:

P/N: SEE TABLE
SHEET: 1/1
SCALE: 3:1 UNIT: Mm