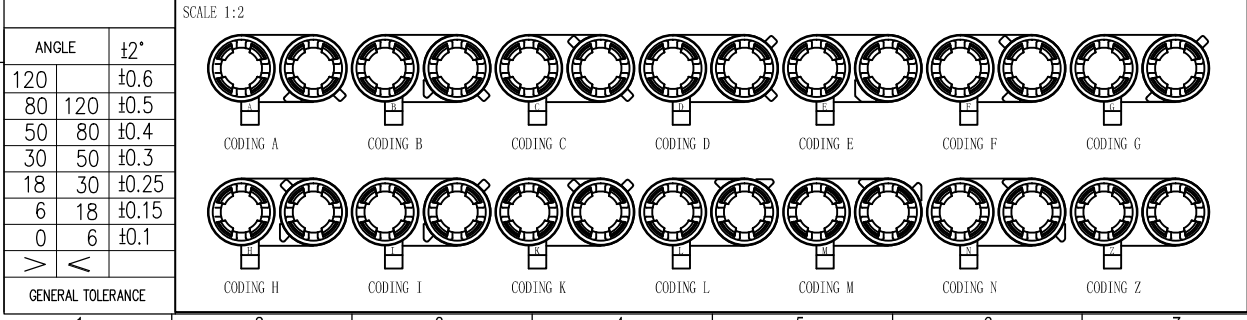
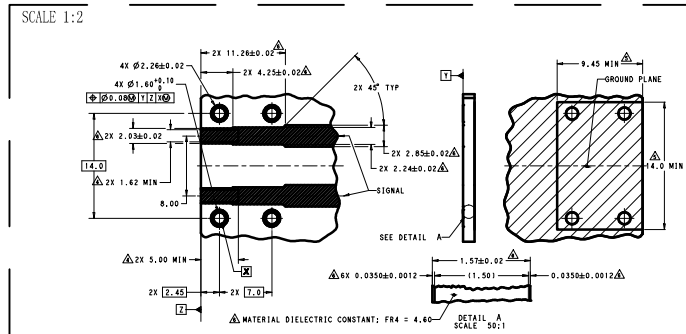


技术要求:

- ① 材质: C2680-H
  - 镀底1~3μm; 镀雾锡2~4μm; 镀金0.1~0.5μm
  - 沾锡测试: 在230℃-245℃下停留3-5s, 需达95%以上吃锡面积;
  - 高温测试: 在250℃-260℃下3分钟, 无变色、聚锡、气泡等不良现象;
  - 盐雾测试: 中性盐雾测试12h, 无腐蚀现象;
  - 端子接口符合USCAR-18版本3;
- ② 材质: PBT-GF20; 产品不可有毛边、缩水、等影响产品功能的缺陷
- ③ 材质: 5#锌合金;
  - 铜底10μm, 银层2~3μm, 锡层2~3μm, 耐高温的氨基磺酸镍
  - 沾锡测试: 在230℃-245℃下停留3-5s, 需达95%以上吃锡面积;
  - 高温测试: 在250℃-260℃下3分钟, 无变色、聚锡、气泡等不良现象;
  - 盐雾测试: 中性盐雾测试48h, 无腐蚀现象;
- ④ ⑦ 材质: PBT-GF20; 产品不可有毛边、缩水、等影响产品功能的缺陷; 颜色见右表



NO.	CODING	DEREN P/N.	REV	MATERIAL	SURFACE COLOR	VOLUME (CM <sup>3</sup> )	WEIGHT (g)	NOTES
17	Z	650104-095R	X1	PBT-GF20	WATER BLUE	0.420	0.631	-
16	N	650104-122R	X1	PBT-GF20	PASTEL GREEN	0.420	0.631	-
15	M	650104-121R	X1	PBT-GF20	PASTEL ORANGE	0.420	0.631	-
14	L	650104-120R	X1	PBT-GF20	CARMINE RED	0.420	0.631	-
13	K	650104-119R	X1	PBT-GF20	CURRY	0.420	0.631	-
12	I	650104-118R	X1	PBT-GF20	BEIGE	0.420	0.631	-
11	H	650104-117R	X1	PBT-GF20	VIOLET	0.420	0.631	-
10	G	650104-116R	X1	PBT-GF20	GREY	0.420	0.631	-
9	F	650104-115R	X1	PBT-GF20	BROWN	0.420	0.631	-
8	E	650104-114R	X1	PBT-GF20	GREEN	0.420	0.631	-
7	D	650104-113R	X1	PBT-GF20	BORDEAUX	0.420	0.631	-
6	C	650104-112R	X1	PBT-GF20	BLUE	0.420	0.631	-
5	B	650104-111R	X1	PBT-GF20	WHITE	0.420	0.631	-
4	A	650104-094R	X1	PBT-GF20	BLACK	0.420	0.631	-
3	-	650104-096R	X1	5#锌合	-	0.459	-	-
2	-	650104-093R	X1	PBT-GF20	-	0.031	2.89	-
1	-	电镀前650404-027R 电镀后650404-031R	X1	C2680-H	-	0.004	0.047	0.038
①+②+③+④	Z	6A0104-080R	X1	-	-	-	-	-
①+②+③+④	N	6A0104-079R	X1	-	-	-	-	-
①+②+③+④	M	6A0104-078R	X1	-	-	-	-	-
①+②+③+④	L	6A0104-077R	X1	-	-	-	-	-
①+②+③+④	K	6A0104-076R	X1	-	-	-	-	-
①+②+③+④	I	6A0104-075R	X1	-	-	-	-	-
①+②+③+④	H	6A0104-074R	X1	-	-	-	-	-
①+②+③+④	G	6A0104-073R	X1	-	-	-	-	-
①+②+③+④	F	6A0104-072R	X1	-	-	-	-	-
①+②+③+④	E	6A0104-071R	X1	-	-	-	-	-
①+②+③+④	D	6A0104-070R	X1	-	-	-	-	-
①+②+③+④	C	6A0104-069R	X1	-	-	-	-	-
①+②+③+④	B	6A0104-068R	X1	-	-	-	-	-
①+②+③+④	A	6A0104-067R	X1	-	-	-	-	-

	INSPECTION DRAWING		DATE	TITLE: Fakra 2P 板端插头	
	DESIGN:	邱维	2020-12-10	P/N: 产品料号	
DRAW NO.	SA2101963	CHECK:		SHEET:	1/1
MOULD NO.	REV. X1	APPROVAL:		SCALE:	1:1
				UNIT:	MM