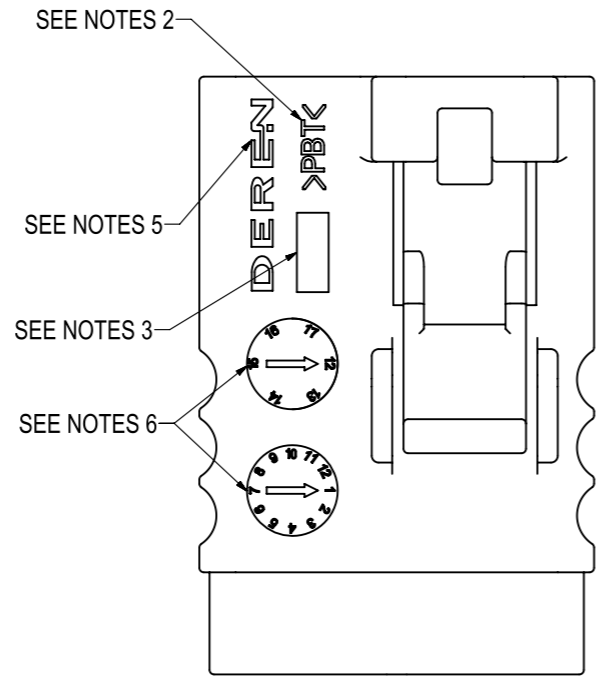
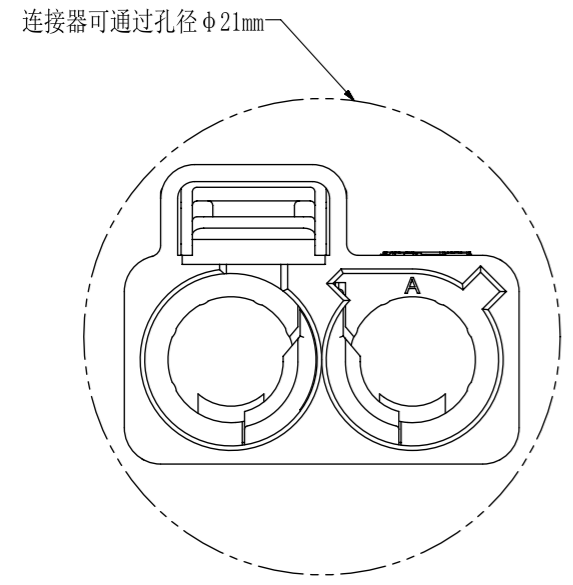
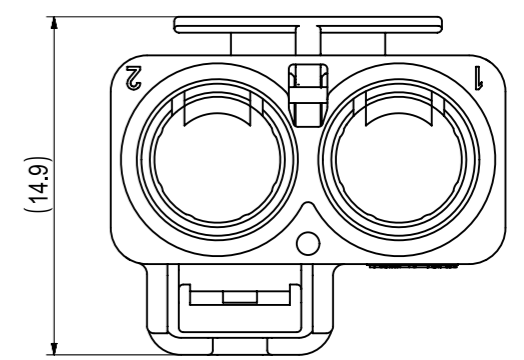
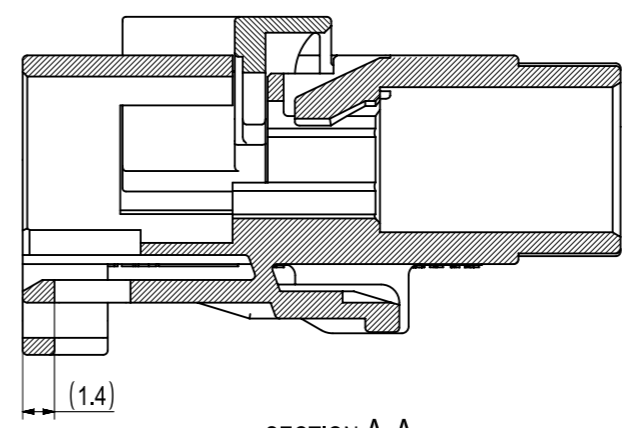
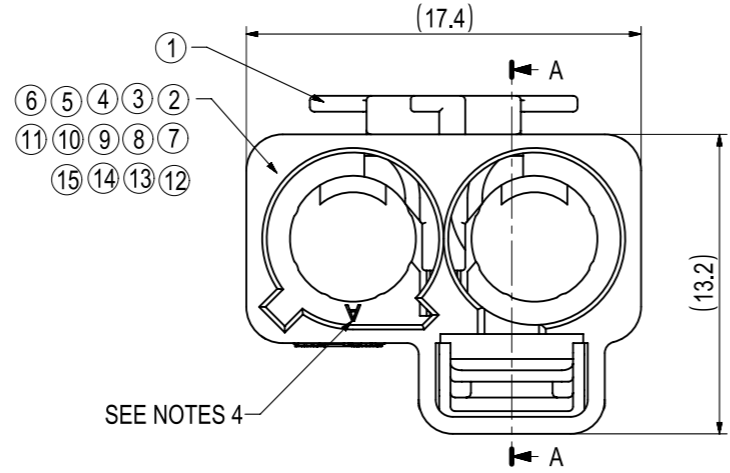
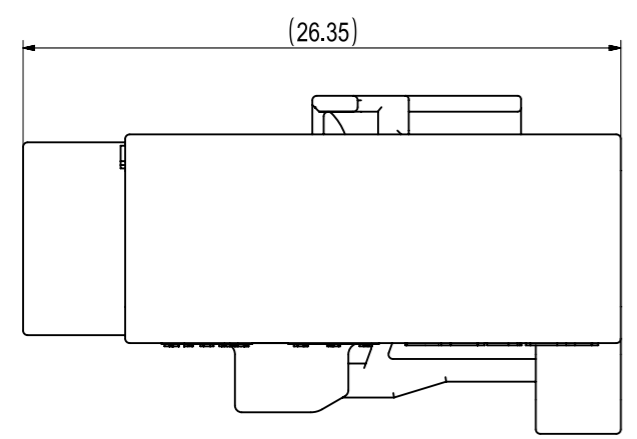


REV.	ECN NO.	LOCATION	DESCRIPTION	DATE	DESIGNER
A	INITIAL RELEASE	2018/4/19	赵才



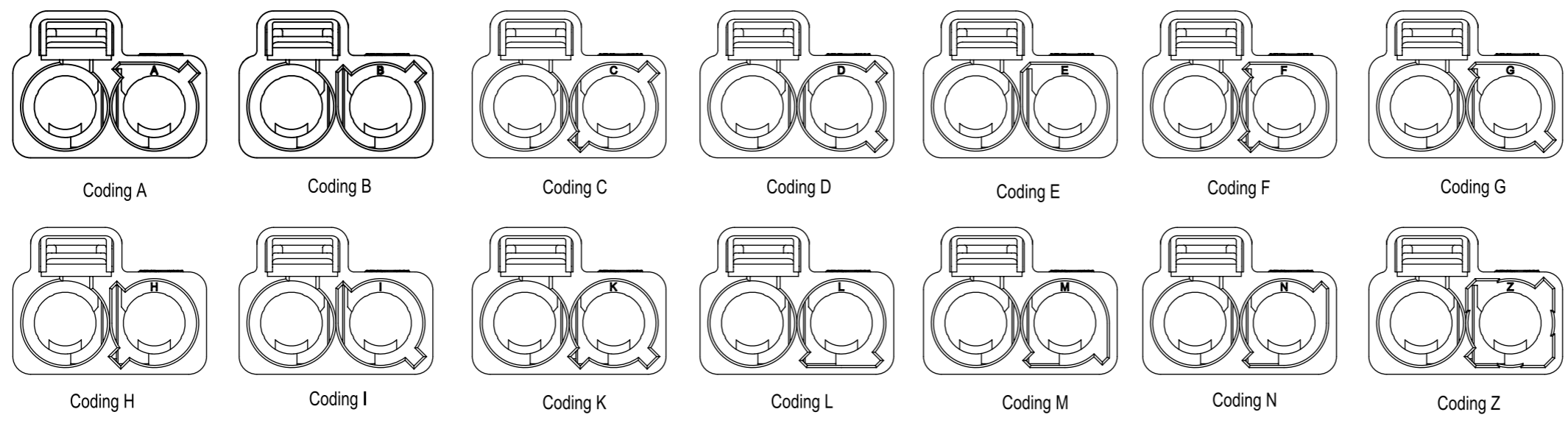
- NOTES:
- MUST BE FREE OF FLASH, SHRINKS AND IMPERFECTION THAT AFFECT FUNCTION.
 - MATERIAL IDENTIFICATION, HEIGHT 1mm/0.1mm SUNK TO BE LOCATED AS SHOWN.
 - MOLD CAVITY NUMBER HEIGHT 1mm/0.1mm RAISED TO BE LOCATED AS SHOWN.
 - CODING NUMBER HEIGHT 0.7mm/0.05mm RAISED TO BE LOCATED AS SHOWN.
 - CORPORATE BRAND HEIGHT 1mm/0.1mm RAISED TO BE LOCATED AS SHOWN.
 - DATE CODE HEIGHT 4mm/0.2mm RAISED TO BE LOCATED AS SHOWN.

REV.	ECN NO.	LOCATION	DESCRIPTION	DATE	DESIGNER
A	INITIAL RELEASE	2018/4/19	赵才

REV.	ECN NO.	LOCATION	DESCRIPTION	DATE	DESIGNER
A	INITIAL RELEASE	2018/4/19	赵才

NO.	CODING	DEREN P.N.	REV.	MATERIAL	SURFACE COLOR	VOLUME (CF)	WEIGHT (g)	NOTES
15	Z	650103-065R	A	PBT	WATER BLUE	1.85	2.38	—
14	N	650103-064R	A	PBT	PASTEL GREEN	1.85	2.38	—
13	M	650103-063R	A	PBT	PASTEL ORANGE	1.85	2.38	—
12	L	650103-062R	A	PBT	CARMINE RED	1.85	2.38	—
11	K	650103-061R	A	PBT	CURRY	1.85	2.38	—
10	I	650103-060R	A	PBT	BEIGE	1.85	2.38	—
9	H	650103-059R	A	PBT	VIOLET	1.85	2.38	—
8	G	650103-058R	A	PBT	GREY	1.85	2.38	—
7	F	650103-057R	A	PBT	BROWN	1.85	2.38	—
6	E	650103-056R	A	PBT	GREEN	1.85	2.38	—
5	D	650103-055R	A	PBT	BORDEAUX	1.85	2.38	—
4	C	650103-054R	A	PBT	BLUE	1.85	2.38	—
3	B	650103-053R	A	PBT	WHITE	1.85	2.38	—
2	A	650103-052R	A	PBT	BLACK	1.85	2.38	—
1		650799-019R	A	PBT-GF	VIOLET	0.118	0.16	—
1+15	Z	6A0103-025R	A	—	—	—	—	—
1+14	N	6A0103-024R	A	—	—	—	—	—
1+13	M	6A0103-023R	A	—	—	—	—	—
1+12	L	6A0103-022R	A	—	—	—	—	—
1+11	K	6A0103-021R	A	—	—	—	—	—
1+10	I	6A0103-020R	A	—	—	—	—	—
1+9	H	6A0103-019R	A	—	—	—	—	—
1+8	G	6A0103-018R	A	—	—	—	—	—
1+7	F	6A0103-017R	A	—	—	—	—	—
1+6	E	6A0103-016R	A	—	—	—	—	—
1+5	D	6A0103-015R	A	—	—	—	—	—
1+4	C	6A0103-014R	A	—	—	—	—	—
1+3	B	6A0103-013R	A	—	—	—	—	—
1+2	A	6A0103-012R	A	—	—	—	—	—

SCALE 2 : 1



ANGLE	± 2°
250	± 2.0
100 250	± 1.4
50 100	± 0.8
10 50	± 0.5
0 10	± 0.3
>	<
GENERAL TOLERANCE	

DEREN
SHENZHEN DEREN ELECTRONIC CO., LTD

CUSTOMER DRAWING DATE TITLE: Fakra unsealed single female connector ASSY

DESIGN: 赵才 2018/4/19 P/N: SEE TABLE

CHECK: SHEET: 1/1

APPROVAL: SCALE: 3:1 UNIT: Mm