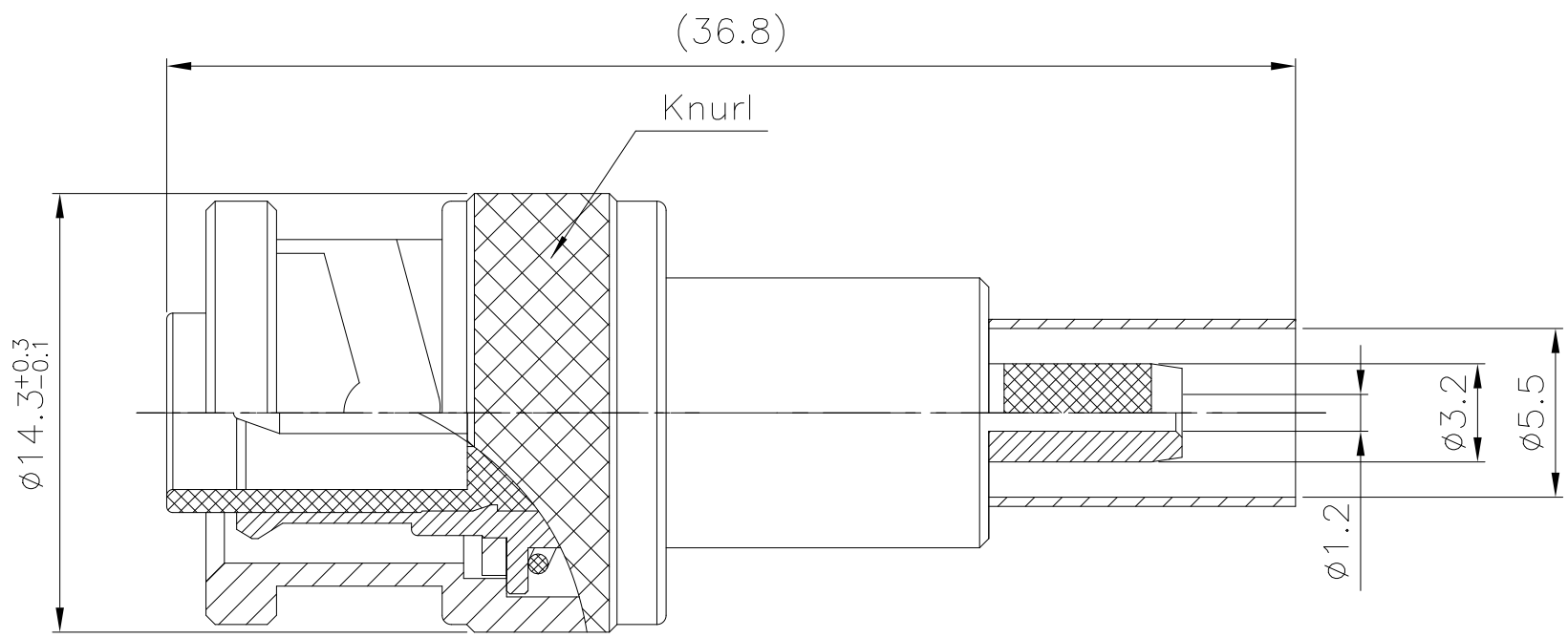


REV.	ECN NO.	LOCATION	DESCRIPTION	DATE	DESIGN
1			INITIAL RELEASE	24/01,05	Yy_D
3			UPDATE P/N	24/04,08	Yy_D



技术要求:

1. 材质需符合RoHS;
2. 该产品外导体和接触本体HPb59-1镀镍2um (MIN), 内导体HPb59-1镀金0.15um;
3. 产品镀层满足96小时盐雾要求;

5704BZ-023 R 0 0 0 0 R-TJ

T: TRAY
R: REEL
R:RoHS
H:HALOGEN-FREE
BNC

电气/机械指标要求

阻抗	频率(GHz)	VSWR<	IL<	PIM>	耐压	绝缘电阻>	抗拉强度
50Ω	DC-2GHz	1.2	/	/	750V	1000MΩ	90N

DIM	TOL	DIM	TOL	DEREN SHENZHEN DEREN ELECTRONIC CO.,LTD	C-DWG:		TITLE: BNC HT-MHV/STRAIGHT PLUG CRIMP TYPE CABLE 5/50S	
X.	±0.35	X.	±2'		DESIGN:	TJ	DATE:	Yy_D
.X	±0.30	.X	±1'	DRAW NO.	SCXXXXXXXX-X	CHECK:		
.XX	±0.25			REV.	3	APPROVAL:		
				SHEET:	1/1	SCALE:	N/A	
				UNIT:	mm			