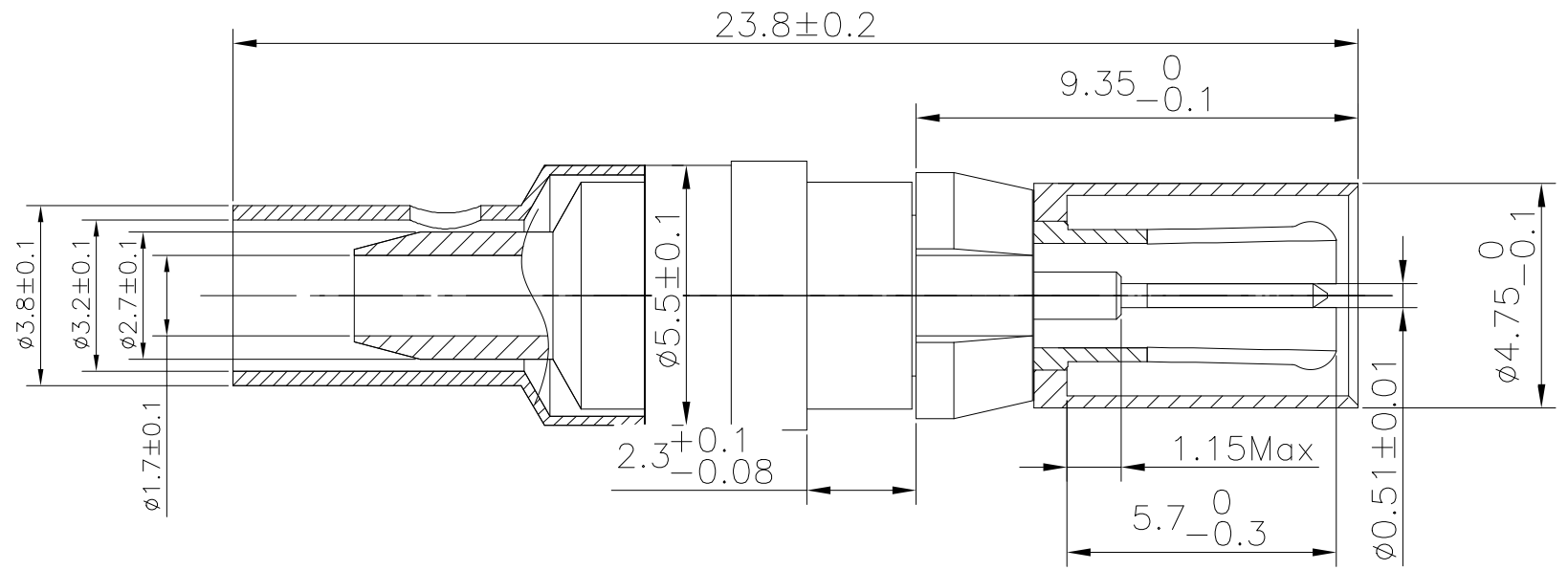


REV.	ECN NO.	LOCATION	DESCRIPTION	DATE	DESIGN
1			INITIAL RELEASE	24/01,05	Yy_D
3			UPDATE P/N	24/04,08	Yy_D



电气/机械指标要求

阻抗	频率 (GHz)	VSWR<	IL<	PIM>	耐压	绝缘电阻>
50	DC-3GHz	1.2	0.15	/	750V	10MΩ

5704BZ-024R0000R-TJ

T: TRAY
R: REEL
R:RoHS
H:HALOGEN-FREE
BNC

技术要求:

- 1、材质需符合RoHS;
- 2、外导体黄铜Hpb59-1镀金0.03um, 内导体铍铜(QBe2)镀金0.15um, 介质PTFE, 锁扣铍铜(QBe2)镀镍2um (MIN)
- 3、外导体接触电阻≤2MΩ 内导体接触电阻≤3MΩ
- 4、盐雾满足96H

DIM	TOL	DIM	TOL		DEREN			
X.	±0.35	X.	±2'		SHENZHEN DEREN ELECTRONIC CO., LTD			
.X	±0.30	.X	±1'		C-DWG:	TJ	DATE	TITLE: DIN SIGNAL MALE CONTACT COAX 50 OHM ANGLED SOLDER
.XX	±0.25				DRAW NO.	DESIGN: Yy_D	24/04,08	P/N:
					SCXXXXXXXX-X	CHECK:		SHEET: 1/1
				REV. 3	APPROVAL:			SCALE: N/A UNIT: mm