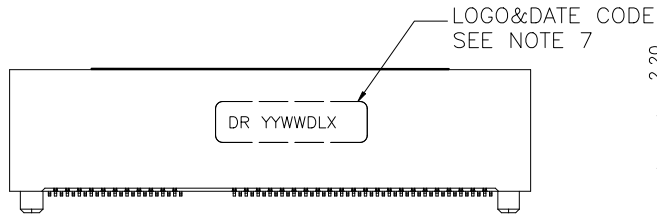
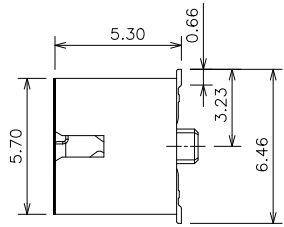
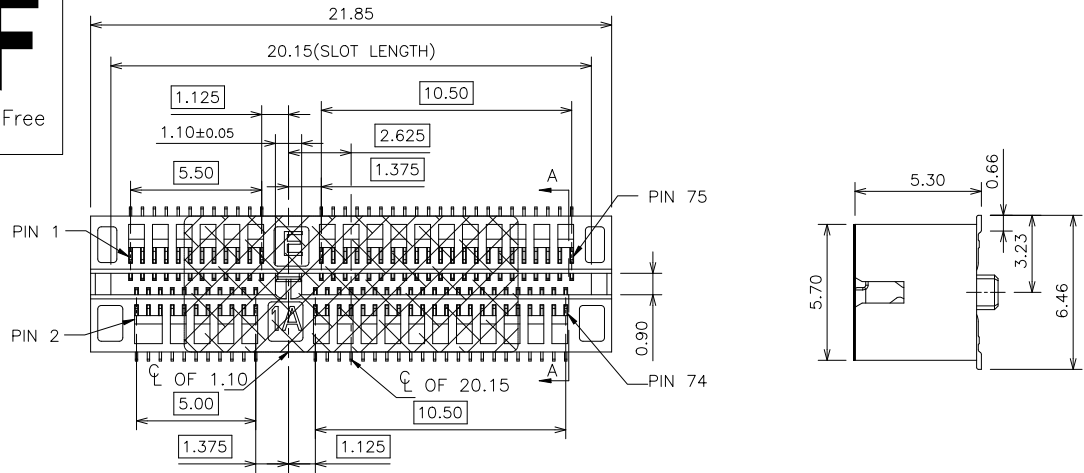
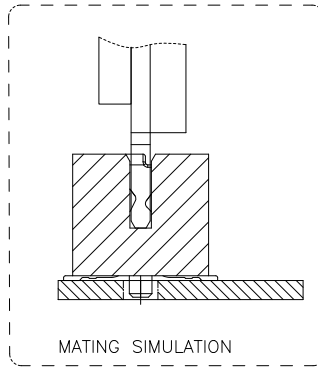
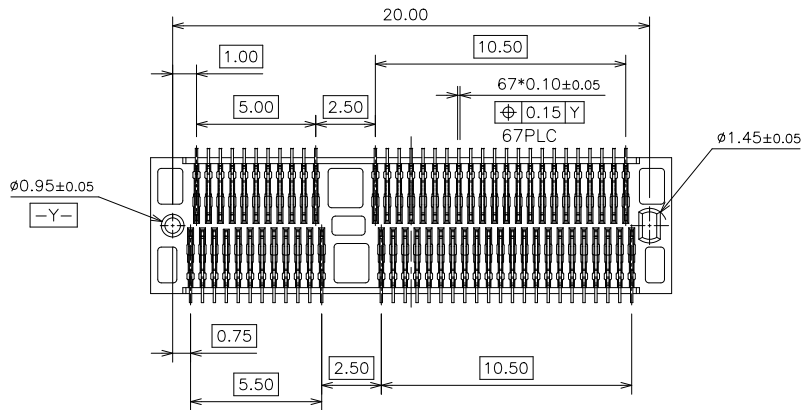


HF

Halogen Free



(WITH MYLAR)



REV.	ECN NO.	LOCATION	DESCRIPTION	DATE	DESIGN
X2	N/A		UPDATE DRAWING	2024.03.30	Xin Lin
X3	N/A		UPDATE DRAWING	2024.04.30	Xin Lin

NOTES:

PRODUCT MUST MEET CONTROLLED SUBSTANCES SPEC. ROHS 2.0

1. MATERIAL:

1.1 HOUSING: LCP , UL94V-0; COLOR: BLACK

1.2 CONTACTS: COPPER ALLOY

2. FINISH:

CONTACT: 50u" MIN NICKEL UNDERPLATED ALL OVER,

Au GF PLATING ON SOLDER TAIL. GOLD PLATING

(THICKNESS SEE NOTE 10) ON CONTACT AREA.

3. REFLOW SOLDER CAPABLE TO 260°C 10SEC.

4. ELECTRICAL CHARACTERISTICS:

4.1 CONTACT CURRENT RATING: 1.0 AMPERE MAX, PER PIN,

4.2 VOLTAGE RATING: 50V AC.

4.3 INSULATION RESISTANCE: 500M OHM MIN.(INITIAL),

100M OHM MIN.(FINAL), AT 500V DC,

4.4 DIELECTRIC WITHSTANDING VOLTAGE: 300V AC RMS AT 60HZ,

FOR 1 MINUTE.

4.5 CONTACT RESISTANCE: 55m OHM MAX(INITIAL)

ΔR 20m OHM MAX(FINAL)

5. OPERATION TEMPERATURE: -40°C TO +80°C

6. MATING FORCE: 2.04Kgf MAX.

DURABILITY: 25 CYCLES;60 CYCLES(GOLD PLATING 30u" ON CONTACT AREA).

7. LOGO&DATE CODE: DR YYWDLX

DR: VENDOR CODE

YY: YEAR (09: 2009)

WW: WEEK (25: THE 25TH WEEK)

D: DAY (1~7: SUNDAY~SATURDAY)

L: LINE NUMBER OF ASSEMBLY (A: LINE A)

X: MANUFACTURE CODE

8. CONNECTOR ACTUAL PIN QUANTITY IS 67, AS THE KEY TAKING OUT 8 PINS.

9. RECOMMENDED STENCIL THICKNESS 0.12MM MIN

10. PART NUMBER DESCRIPTION:

5621D3-035 H - X 4 0 1

PACKING CODE:

1: EMBOSS WIDTH 44mm

RESERVED: 0

KEY TYPE:

4: KEY E

PLATING CODE:

1: GF 2: Au5u"

3: Au10u" 4: Au15u"

5: Au30u"

HALOGEN CODE: H:HALOGEN FREE

DIM	TOL	DIM	TOL
X.	±0.30	X.	±2'
.X	±0.25	.X	±1'
.XX	±0.20		



DEREN

SHENZHEN DEREN ELECTRONIC CO., LTD

C-DWG: TY DATE

DESIGN: Xin Lin 2024.04.30

CHECK: Mike Chen 2024.04.30

APPROVAL: Bill Lin 2024.04.30

TITLE: M.2 GEN4 5.3H

VERTICAL 1A KEY E

P/N: 5621D3-035H-X401

SHEET: 1/3

SCALE: N/A UNIT: mm

DRAW NO.

SC2410068-1

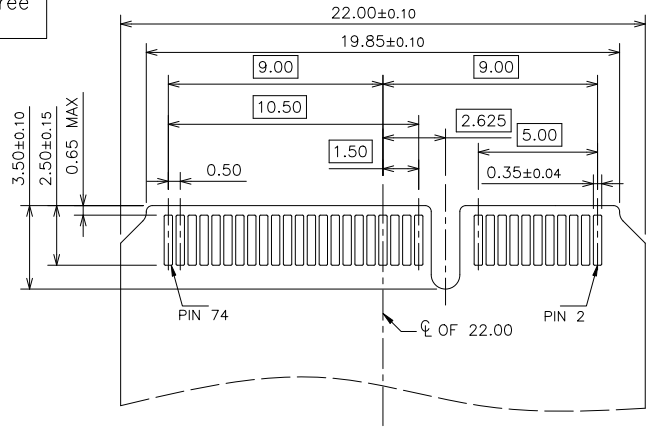
REV. X3

HF

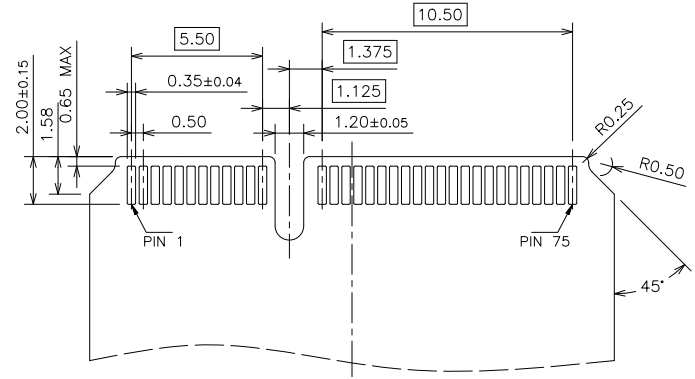
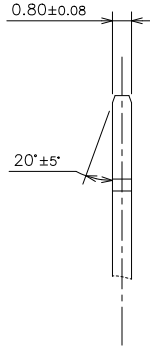
Halogen Free

PLUG PCB

REV.	ECN NO.	LOCATION	DESCRIPTION	DATE	DESIGN
X2	N/A		UPDATE DRAWING	2024.03.30	Xin Lin
X3	N/A		UPDATE DRAWING	2024.04.30	Xin Lin

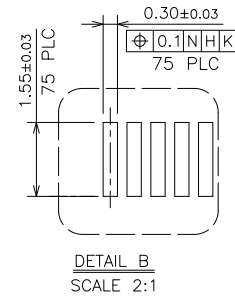
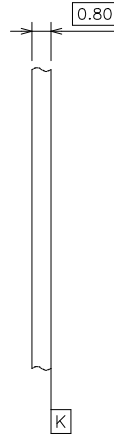
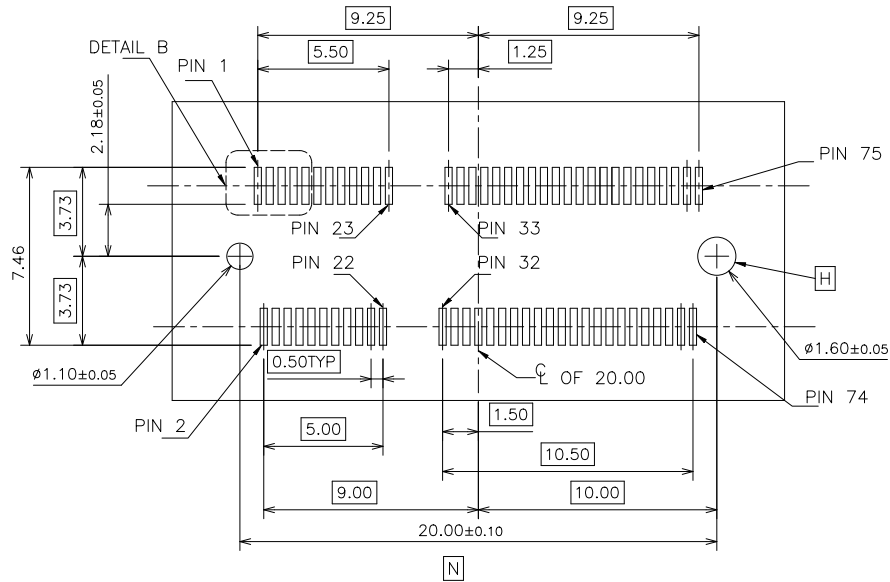


BOTTOM SIDE



TOP SIDE

RECOMMENDED PCB LAYOUT(TOP VIEW)



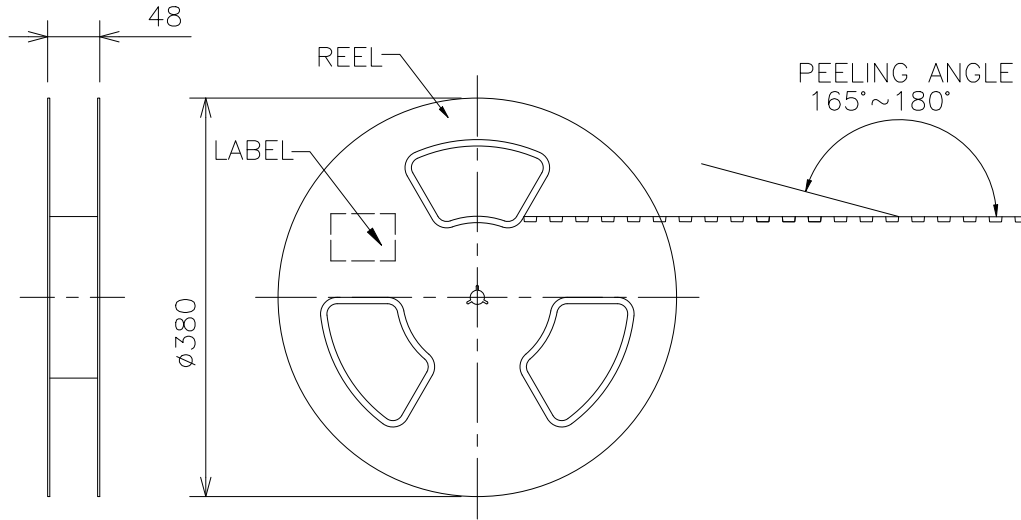
DETAIL B
SCALE 2:1

DIM	TOL	DIM	TOL	 DEREN SHENZHEN DEREN ELECTRONIC CO., LTD																
X.	± 0.30	X.	$\pm 2'$																	
.X	± 0.25	.X	$\pm 1'$																	
.XX	± 0.20																			
REV.	X3	DRAW NO.	SC2410068-1	<table border="1"> <tr> <td>C-DWG:</td> <td>TY</td> <td>DATE</td> <td>TITLE: M.2 GEN4 5.3H VERTICAL 1A KEY E</td> </tr> <tr> <td>DESIGN:</td> <td>Xin Lin</td> <td>2024.04.30</td> <td>P/N: 5621D3-035H-X401</td> </tr> <tr> <td>CHECK:</td> <td>Mike Chen</td> <td>2024.04.30</td> <td>SHEET: 2/3</td> </tr> <tr> <td>APPROVAL:</td> <td>Bill Lin</td> <td>2024.04.30</td> <td>SCALE: N/A UNIT: mm</td> </tr> </table>	C-DWG:	TY	DATE	TITLE: M.2 GEN4 5.3H VERTICAL 1A KEY E	DESIGN:	Xin Lin	2024.04.30	P/N: 5621D3-035H-X401	CHECK:	Mike Chen	2024.04.30	SHEET: 2/3	APPROVAL:	Bill Lin	2024.04.30	SCALE: N/A UNIT: mm
C-DWG:	TY	DATE	TITLE: M.2 GEN4 5.3H VERTICAL 1A KEY E																	
DESIGN:	Xin Lin	2024.04.30	P/N: 5621D3-035H-X401																	
CHECK:	Mike Chen	2024.04.30	SHEET: 2/3																	
APPROVAL:	Bill Lin	2024.04.30	SCALE: N/A UNIT: mm																	

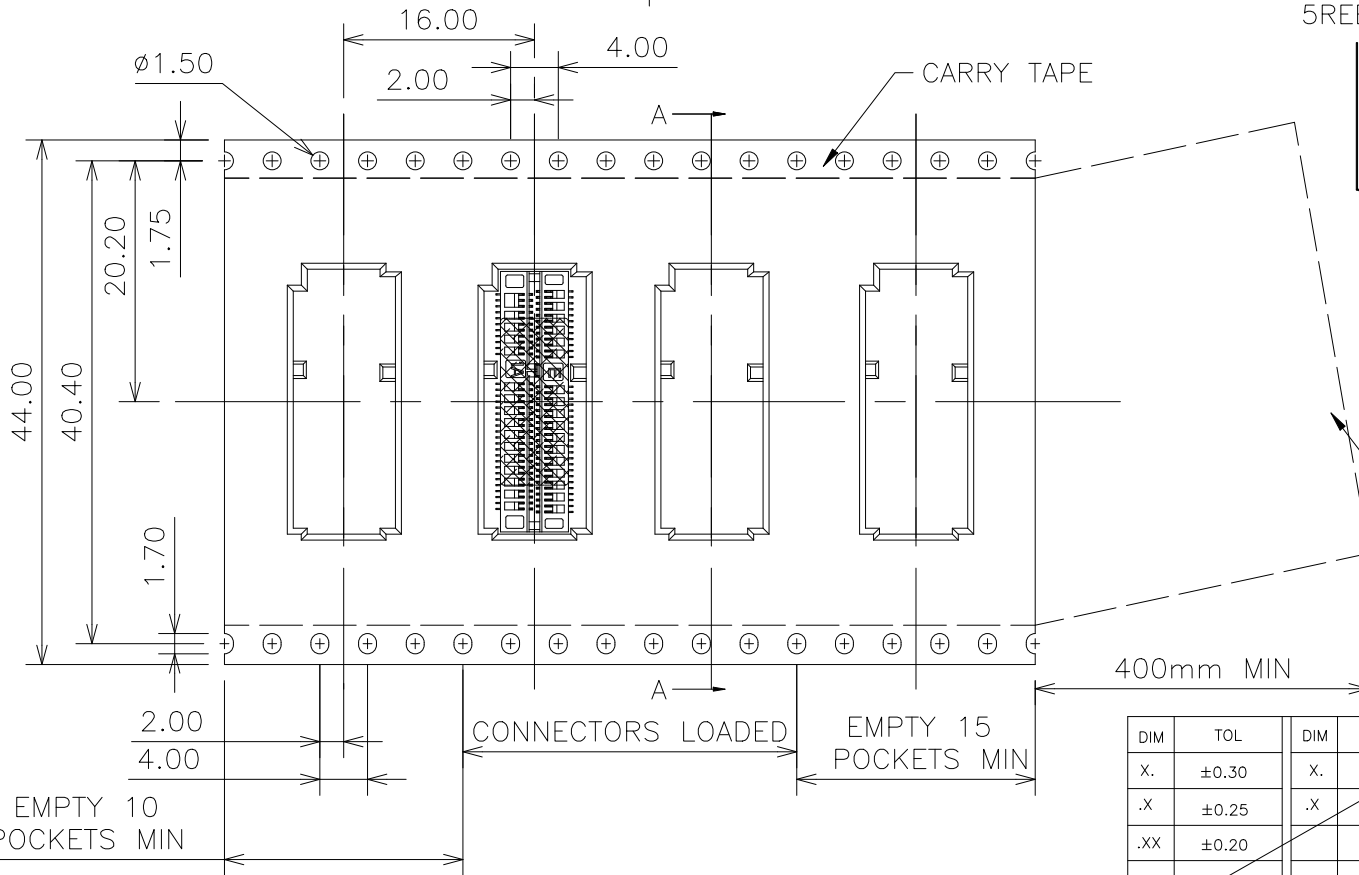
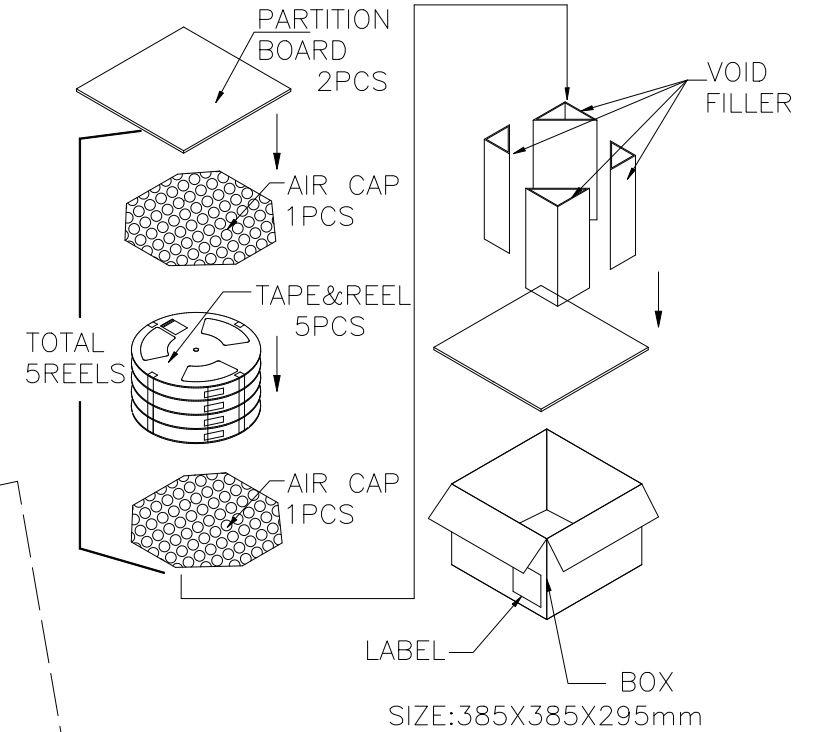
HF

Halogen Free

FEEDING DIRECTION →



REV.	ECN NO.	LOCATION	DESCRIPTION	DATE	DESIGN
X2	N/A		UPDATE DRAWING	2024.03.30	Xin Lin
X3	N/A		UPDATE DRAWING	2024.04.30	Xin Lin



700	5	3500	X.XXKg	X.XXKg
PCS/TAPE	REELS/BOX	PCS/BOX	GROSS WEIGHT	NET WEIGHT

DIM	TOL	DIM	TOL
.X	±0.30	.X	±2'
.X	±0.25	.X	±1'
.XX	±0.20		



DEREN
SHENZHEN DEREN ELECTRONIC CO., LTD

DRAW NO.
SC2410068-1

DESIGN: Xin Lin
CHECK: Mike Chen

DATE: 2024.04.30
TITLE: M.2 GEN4 5.3H VERTICAL 1A KEY E

REV. X3

APPROVAL: Bill Lin
DATE: 2024.04.30

SHEET: 3/3
SCALE: N/A UNIT: mm

EMPTY 10 POCKETS MIN

CONNECTORS LOADED

EMPTY 15 POCKETS MIN

COVER TAPE

BOX
SIZE: 385X385X295mm

VOID FILLER