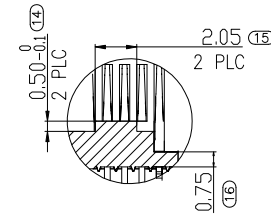
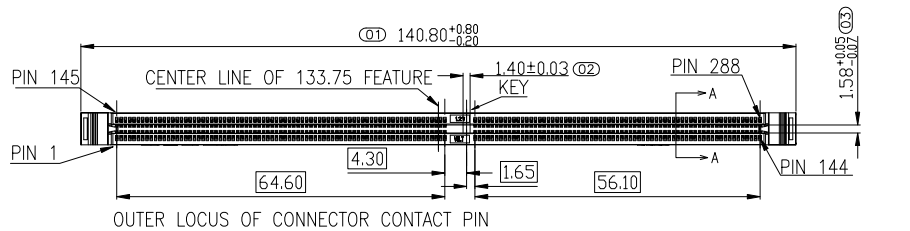
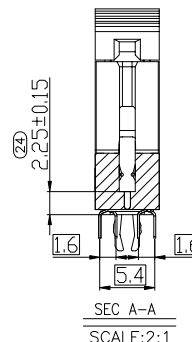
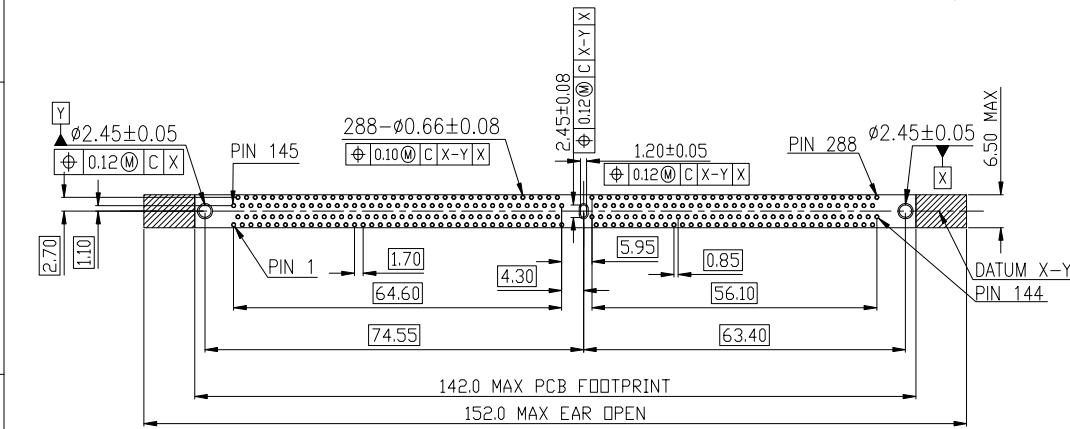
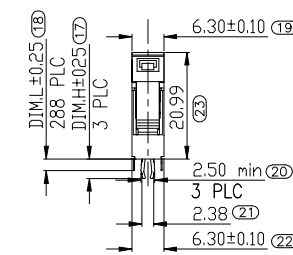
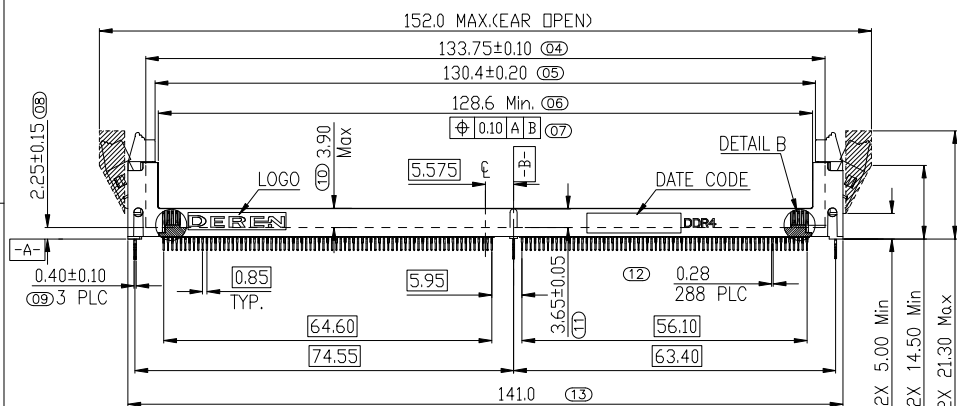


| PART NUMBER        | DIM.L CONTACT TAIL | DIM.H BOARD LOCK | DIM.G PCB      |
|--------------------|--------------------|------------------|----------------|
| 40-42344-2880***** | 2.10±0.25          | 3.57±0.25        | (1.40 or 1.60) |
| 40-42344-2881***** | 2.40±0.25          | 3.57±0.25        | 1.60           |
| 40-42344-2882***** | 2.70±0.25          | 3.57±0.25        | 1.60           |
| 40-42344-2883***** | 3.10±0.25          | 3.85±0.25        | 2.40           |

| REV. | ECN NO. | LOCATION | DESCRIPTION                           | DATE       | DESIGN |
|------|---------|----------|---------------------------------------|------------|--------|
| A    |         |          | INITIAL RELEASE                       | 2014/10/16 | CZH    |
| B    |         |          | UPDATE CUSTOMER DRAWING               | 2015/12/10 | CZH    |
| C    |         |          | CHANGE EAR SHAPE                      | 2016/1/14  | CZH    |
| D    |         |          | CHANGE BOARD LOCK SPECIFICATE DRAWING | 2016/5/19  | CZH    |
| E    |         |          | UPDATE PART NUMBER INFORMATION        | 2016/5/23  | CZH    |
| F    |         |          | UPDATE PART NUMBER INFORMATION        | 2017/6/05  | Cay    |
| G    |         |          | UPDATE DIM. TOLERANCE                 | 2018/04/18 | Cay    |



DETAIL B SCALE:4:1  
BUMPER BLOCK ON EACH SIDE



PIN NUMBER CODE:  
288: 288 PINS

NOTES:

- PRODUCT MUST MEET CONTROLLED SUBSTANCES SPEC. ROHS 2.0
- MATERIAL:
    - HOUSING: HIGH TEMPERATURE NYLON ,UL94V-0; COLOR: SEE PART NUMBER INFORMATION.
    - EAR: HIGH TEMPERATURE NYLON ,UL94V-0;COLOR:SEE PART NUMBER INFORMATION.
    - CONTACT:COPPER ALLOY T=0.20.
    - BOARD LOCK: STEEL .
  - FINISH:
    - CONTACT:
      - GOLD PLATING(SEE PART NUMBER INFORMATION.) ON CONTACT AREA. 2.54um[100u"] MIN. MATTE-TIN PALTING ON SOLDER TAIL AREA. 2.25um[90u"] MIN. ON CONTACT AREA,1.27um[50u"] MIN. NICKEL ON OTHER AREA
  - WAVE SOLDER CAPABLE TO 260°C 10S.
  - MECHANICAL SPECIFICATION:
    - INSERTION FORCE: 10.89kg MAX.
    - WITHDRAW FORCE: 14 g MIN PER CONTACT PAIR
    - CONTACT RETENTION FORCE: 0.3kg MIN PER CONTACT
    - DURABILITY: 25MATING AND UNMATING CYCLES
    - INSERTION FORCE OF CONNECTOR INTO PCB (WITH THREE BOARD LOCKS): 7.65kg MAX.
  - ELECTRICAL SPECIFICATION
    - CONTACT RESISTANCE: INITIAL:10 MILLIOHMS MAX. ,FINAL 20 MILLIOHMS MAX.
    - AFTER FULL ENVIRONMENTAL TESTING
    - CURRENT RATING: 0.75AMPS MAX.
    - INSULATION RESISTANCE: 1 MEGOHMS MIN. AT 500VAC
    - DIELECTRIC WITHSTAND VOLTAGE: 500VAC MIN. FOR ONE MINUTE.
  - ENVIRONMENT SPECIFICATION
    - OPERATING TEMPERATURE: -44°C TO +85°C.
    - SOLDERABILITY: PASSED PER JESD22-B102, Condition C.
    - VIBRATION: PASSED PER EIA-364-28.
    - HUMIDITY: PASSED PER EIA-364-31.
    - THERMAL SHOCK: PASSED PER EIA-364-32.
    - MECHANICAL SHOCK: PASSED PER EIA-364-27.
  - PART NUMBER INFORMATION:
 

40-42344-288 X X X X X T X

    - HF: HALOGEN FREE DEFAULT: HALOGEN
    - PACKAGE CODE: T: SOFT TRAY PACKING
    - 1.NO LOGO 2. DEREN LOGO
    - PLATING CODE: 1: GOLD 1u"Min, 2: GOLD 15u", 3: GOLD 20u", 4: GOLD 30u"
    - EAR COLOR: 1:BLACK/U 3:BLUE, 2:WHITIE 4:GREEN (375C)
    - HOUSING COLOR: 1:BLACK/U, 2:WHITE, 3:BLUE(284C), 4:BLUE(2935U), 5:GREEN(355C), 6:BLUE(287C), 7:DARK GREY (431C), 8:RED (186C), 9:GREEN (375C), 0:YELLOW (107C)
    - TAIL LENGTH: 0:2.10 1:2.40, 2:2.70 3:3.10



**DEREN**  
SHENZHEN DEREN ELECTRONIC CO., LTD

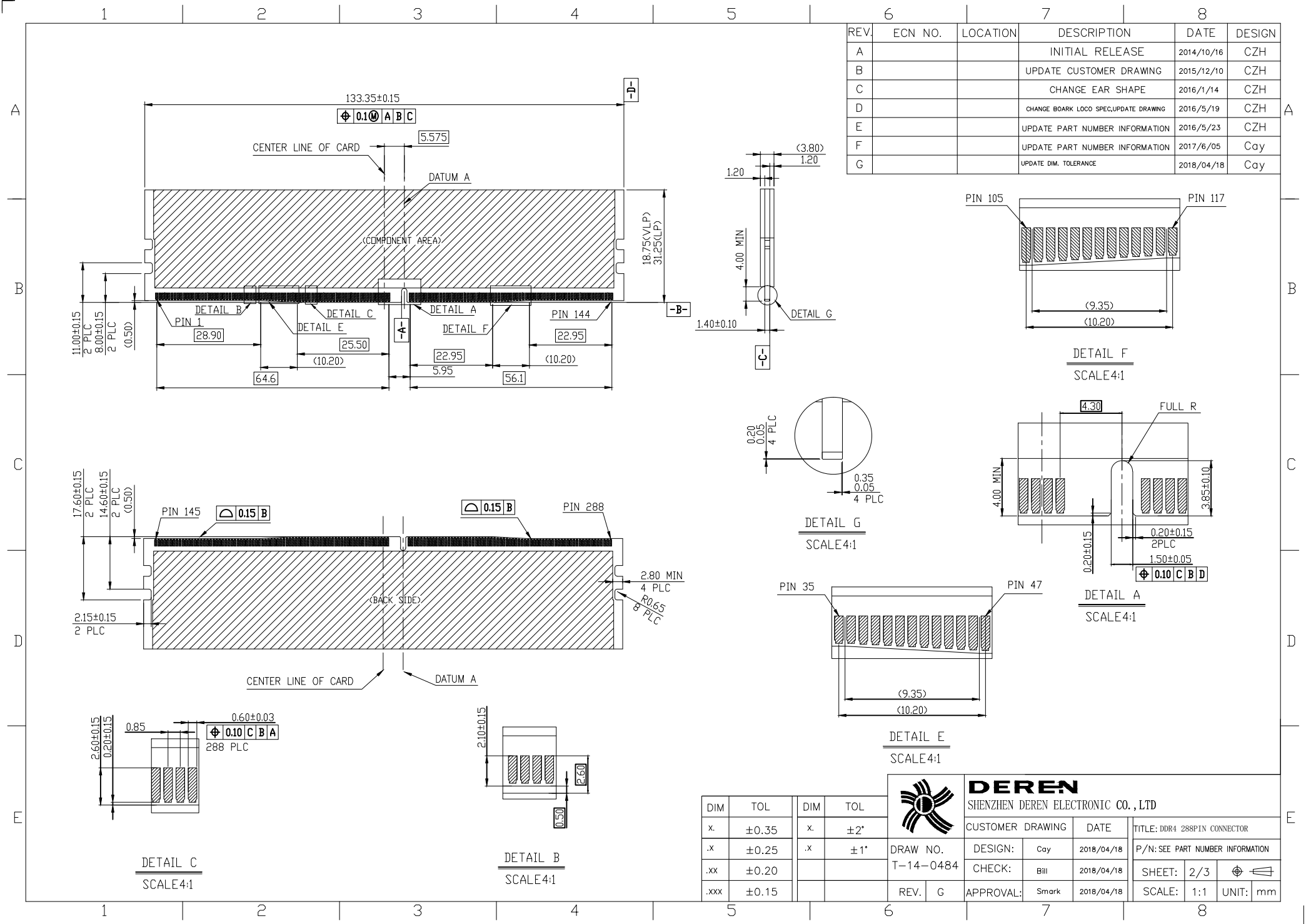
| DIM  | TOL   | DIM | TOL |
|------|-------|-----|-----|
| x.   | ±0.35 | x.  | ±2* |
| .x   | ±0.25 | .x  | ±1* |
| .xx  | ±0.20 |     |     |
| .xxx | ±0.15 |     |     |

|           |           |      |            |        |                             |
|-----------|-----------|------|------------|--------|-----------------------------|
| DRAW NO.  | T-14-0484 | DATE | 2018/04/18 | TITLE: | DDR4 288PIN CONNECTOR       |
| DESIGN:   | Cay       | DATE | 2018/04/18 | P/N:   | SEE PART NUMBER INFORMATION |
| CHECK:    | Bill      | DATE | 2018/04/18 | SHEET: | 1/3                         |
| APPROVAL: | Smark     | DATE | 2018/04/18 | SCALE: | 1:1                         |
|           |           |      |            | UNIT:  | mm                          |

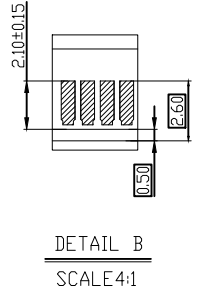
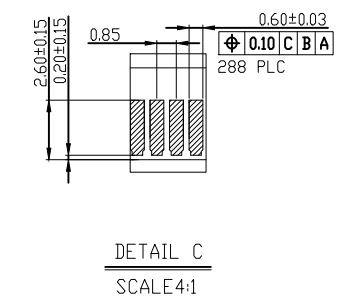
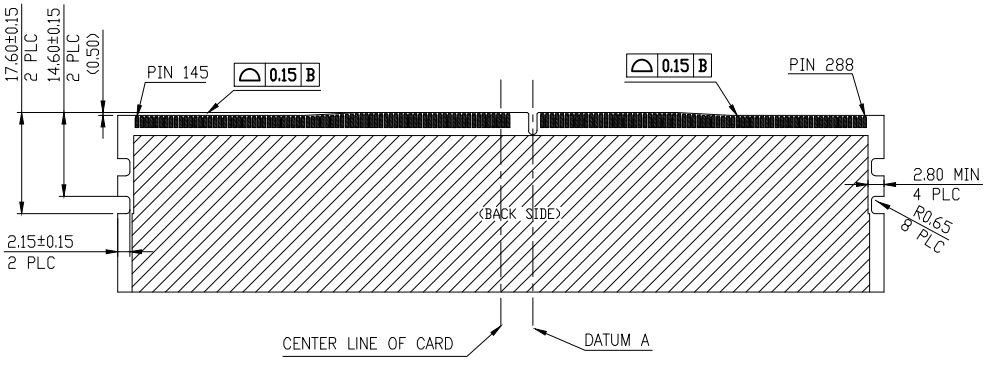
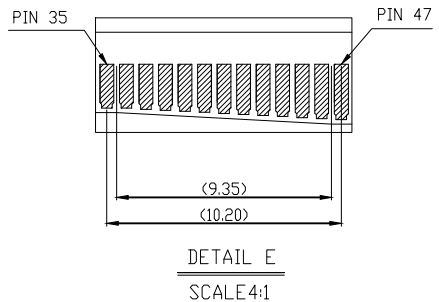
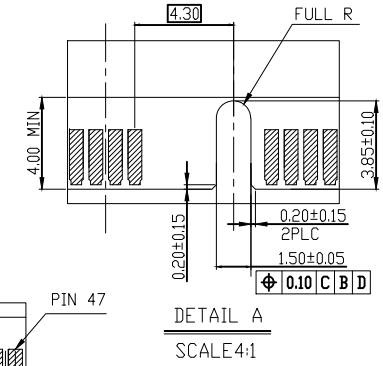
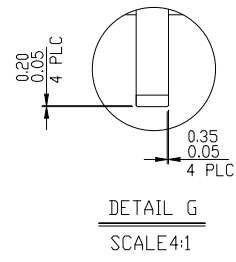
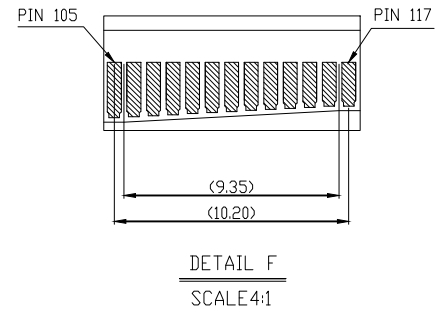
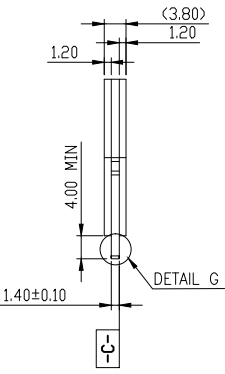
RECOMMENDED PCB LAYOUT&THICKNESS(CONNECTOR SIDE)(TOL:±0.05mm)

A  
B  
C  
D  
E

A  
B  
C  
D  
E



| REV | ECN NO. | LOCATION | DESCRIPTION                            | DATE       | DESIGN |
|-----|---------|----------|--|------------|--------|
| A   |         |          | INITIAL RELEASE                        | 2014/10/16 | CZH    |
| B   |         |          | UPDATE CUSTOMER DRAWING                | 2015/12/10 | CZH    |
| C   |         |          | CHANGE EAR SHAPE                       | 2016/1/14  | CZH    |
| D   |         |          | CHANGE BOARD LOCO SPEC, UPDATE DRAWING | 2016/5/19  | CZH    |
| E   |         |          | UPDATE PART NUMBER INFORMATION         | 2016/5/23  | CZH    |
| F   |         |          | UPDATE PART NUMBER INFORMATION         | 2017/6/05  | Cay    |
| G   |         |          | UPDATE DIM. TOLERANCE                  | 2018/04/18 | Cay    |



| DIM  | TOL   | DIM | TOL |
|------|-------|-----|-----|
| .x   | ±0.35 | .x  | ±2* |
| .x   | ±0.25 | .x  | ±1* |
| .xx  | ±0.20 |     |     |
| .xxx | ±0.15 |     |     |

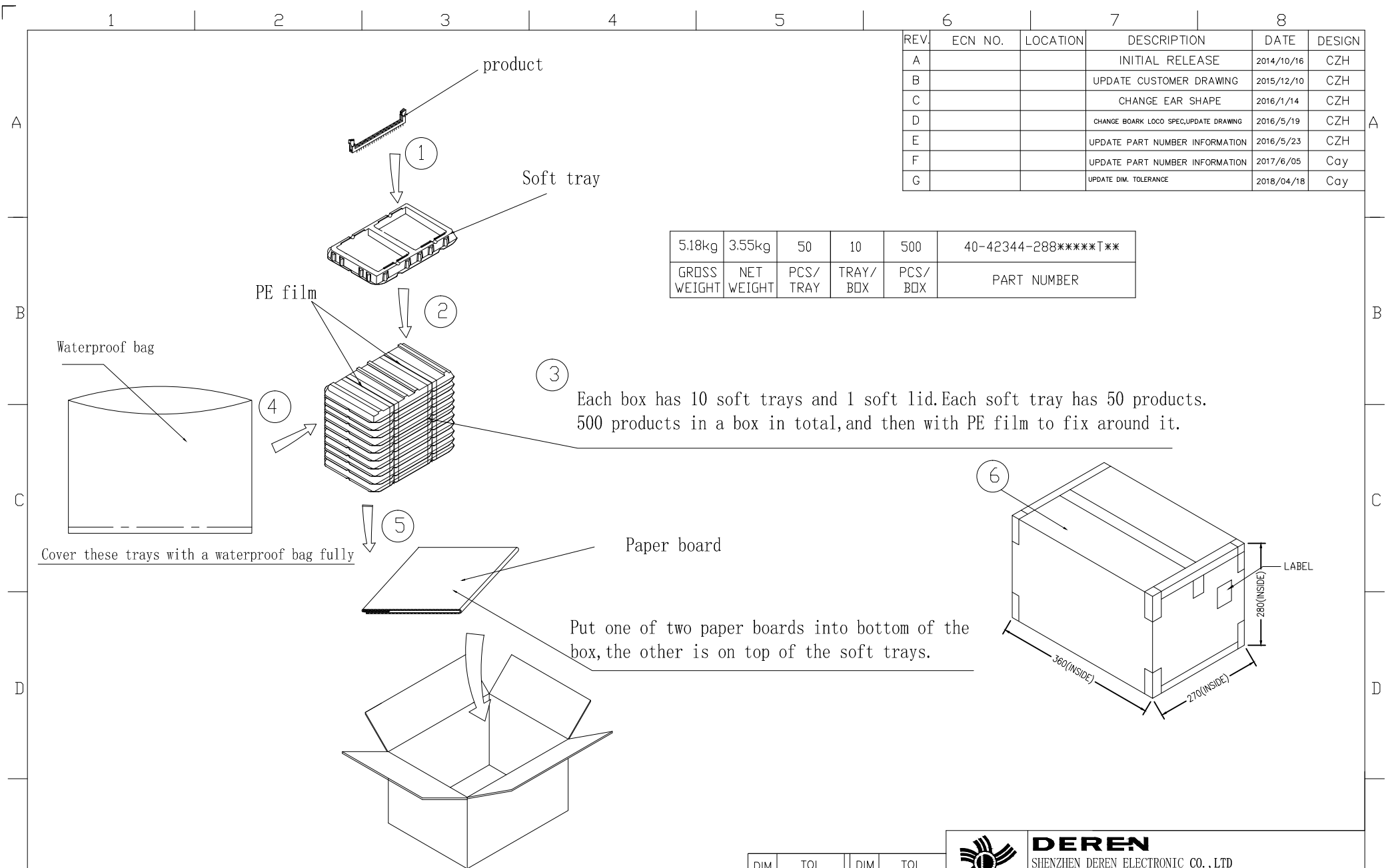
**DEREN**  
SHENZHEN DEREN ELECTRONIC CO., LTD

|                  |       |            |                                  |     |
|------------------|-------|------------|----------------------------------|-----|
| CUSTOMER DRAWING |       | DATE       | TITLE: DDR4 288PIN CONNECTOR     |     |
| DESIGN:          | Cay   | 2018/04/18 | P/N: SEE PART NUMBER INFORMATION |     |
| CHECK:           | Bill  | 2018/04/18 | SHEET:                           | 2/3 |
| APPROVAL:        | Smark | 2018/04/18 | SCALE:                           | 1:1 |
| REV.             | G     |            | UNIT:                            | mm  |

DRAW NO.  
T-14-0484

| REV | ECN NO. | LOCATION | DESCRIPTION                           | DATE       | DESIGN |
|-----|---------|----------|---------------------------------------|------------|--------|
| A   |         |          | INITIAL RELEASE                       | 2014/10/16 | CZH    |
| B   |         |          | UPDATE CUSTOMER DRAWING               | 2015/12/10 | CZH    |
| C   |         |          | CHANGE EAR SHAPE                      | 2016/1/14  | CZH    |
| D   |         |          | CHANGE BOARK LOCO SPEC,UPDATE DRAWING | 2016/5/19  | CZH    |
| E   |         |          | UPDATE PART NUMBER INFORMATION        | 2016/5/23  | CZH    |
| F   |         |          | UPDATE PART NUMBER INFORMATION        | 2017/6/05  | Cay    |
| G   |         |          | UPDATE DIM. TOLERANCE                 | 2018/04/18 | Cay    |

|              |            |           |           |          |                      |
|--------------|------------|-----------|-----------|----------|----------------------|
| 5.18kg       | 3.55kg     | 50        | 10        | 500      | 40-42344-288*****T** |
| GROSS WEIGHT | NET WEIGHT | PCS/ TRAY | TRAY/ BOX | PCS/ BOX | PART NUMBER          |



| DIM | TOL | DIM | TOL | DEREN<br>SHENZHEN DEREN ELECTRONIC CO., LTD |                  |            |                                  |
|-----|-----|-----|-----|---|------------------|------------|----------------------------------|
| x.  |     | x.  |     | DRAW NO.<br>T-14-0484                       | CUSTOMER DRAWING | DATE       | TITLE: DDR 4 288PIN CONNECTOR    |
| .x  |     | .x  |     |   | DESIGN: Cay      | 2018/04/18 | P/N: SEE PART NUMBER INFORMATION |
| .xx |     |     |     |   | CHECK: Blll      | 2018/04/18 | SHEET: 3/3                       |
|     |     |     |     | REV. G                                      | APPROVAL: Smark  | 2018/04/18 | SCALE: 1:1 UNIT: mm              |