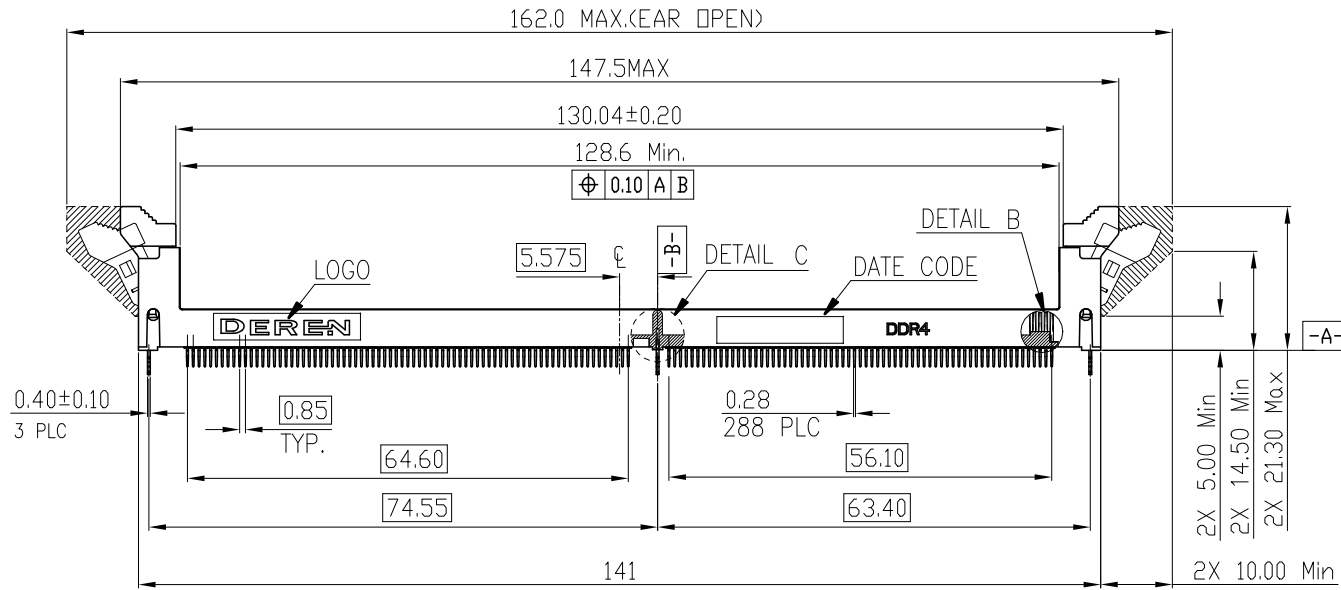
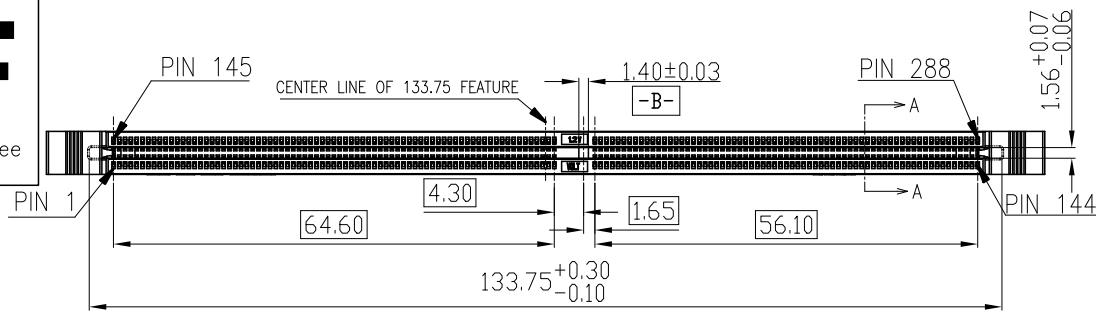
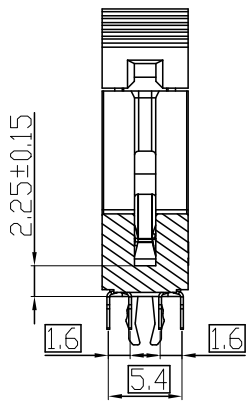
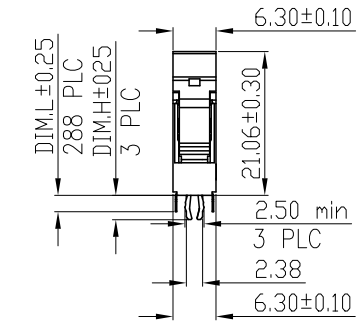


HF

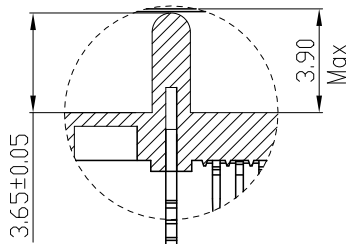
Halogen Free



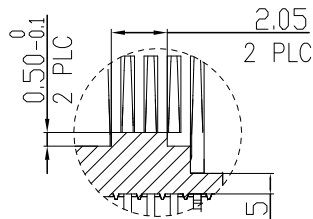
REV.	ECN NO.	LOCATION	DESCRIPTION	DATE	DESIGN
A			INITIAL RELEASE	2014/5/14	Heyunfeng
B			ADD NEW P/N	2013/10/29	Heyunfeng
C			MODIFY STRUCTURE	2014/06/04	Heyunfeng
D			ADD NEW TAIL "1-2.5mm" TYPE, MODIFY DIMENSION, C, F AND S	2014/10/08	Heyunfeng
E			UPDATE CUSTOMER DRAWING	2015/12/08	CZH
F			ADD HOUSING COLOR	2016/03/11	CZH
G			ADD HSG COLOR AND TRAY INF.	2016/10/08	ZQW
H			ADD NEW TAIL 2.5mm TYPE.	2023/04/07	ZC.XIE
I			UPDATE CUSTOMER DRAWING	2024/04/11	Yezhijian



SEC A-A
SCALE:2:1

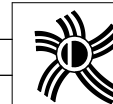


DETAIL C
SCALE:4:1



DETAIL B SCALE:4:1
BUMPER BLOCK ON EACH SIDE

DIM	TOL	DIM	TOL
.x.	±0.35	.x.	±2*
.x	±0.25	.x	±1*
.xx	±0.20		
.xxx	±0.15		



DEREN

SHENZHEN DEREN ELECTRONIC CO., LTD

C-DWG	TY	DATE	TITLE: DDR 4 288PIN CONNECTOR
DESIGN:	Yezhijian	2024/04/11	P/N: SEE PART NUMBER INFORMATION
CHECK:	Zf.Chen	2024/04/11	SHEET: 1/4
APPROVAL:	Bill	2024/04/11	SCALE: NA UNIT: mm

DRAW NO.
SC1600167-23

REV. I

HF

Halogen Free

REV.	ECN NO.	LOCATION	DESCRIPTION	DATE	DESIGN
A			INITIAL RELEASE	2014/5/14	Heyunfeng
B			ADD NEW P/N	2013/10/29	Heyunfeng
C			MODIFY STRUCTURE	2014/06/04	Heyunfeng
D			ADD NEW TAIL "1.5mm" TYPE, MODIFY DIMENSION, G.W AND S.W	2014/10/08	Heyunfeng
E			UPDATE CUSTOMER DRAWING	2015/12/08	CZH
F			ADD HOUSING COLOR	2016/03/11	CZH
G			ADD HSG COLOR AND TRAY INF.	2016/10/08	ZGW
H			ADD NEW TAIL 2.5mm TYPE.	2023/04/07	ZC.XIE
I			UPDATE CUSTOMER DRAWING	2024/04/11	Yezhijian

NOTES:

PRODUCT MUST MEET CONTROLLED SUBSTANCES SPEC. ROHS 2.0

1. MATERIAL:

- 1.1 HOUSING:HIGH TEMPERATURE THERMOPLASTIC, UL94V-0; COLOR: SEE PART NUMBER INFORMATION.
- 1.2 EAR:HIGH TEMPERATURE THERMOPLASTIC, UL94V-0;COLOR:SEE PART NUMBER INFORMATION.
- 1.3 CONTACT:COPPER ALLOY .
- 1.4 BOARD LOCK: STEEL .

2. FINISH:

2.1 CONTACT:

- GOLD PLATING(SEE PART NUMBER INFORMATION.) ON CONTACT AREA.
- 2.03um[80u"] MIN. MATTE-TIN PALTING ON SOLDER TAIL AREA.
- 2.25um[90u"] MIN. NICKEL ON CONTACT AREA,1.27um[50u"] MIN. ON OTHER AREA

3. REFLOW SOLDER CAPABLE TO 260°C MAX..

4. MECHANICAL SPECIFICATION:

- INSERTION FORCE: 10.89kg MAX.
- WITHDRAW FORCE: 14 g MIN PER CONTACT PAIR
- CONTACT RETENTION FORCE: 0.3kg MIN PER CONTACT
- DURABILITY: 25MATING AND UNMATING CYCLES
- INSERTION FORCE OF CONNECTOR INTO PCB (WITH THREE BOARD LOCKS): 7.65kg MAX.

5. ELECTRICAL SPECIFICATION

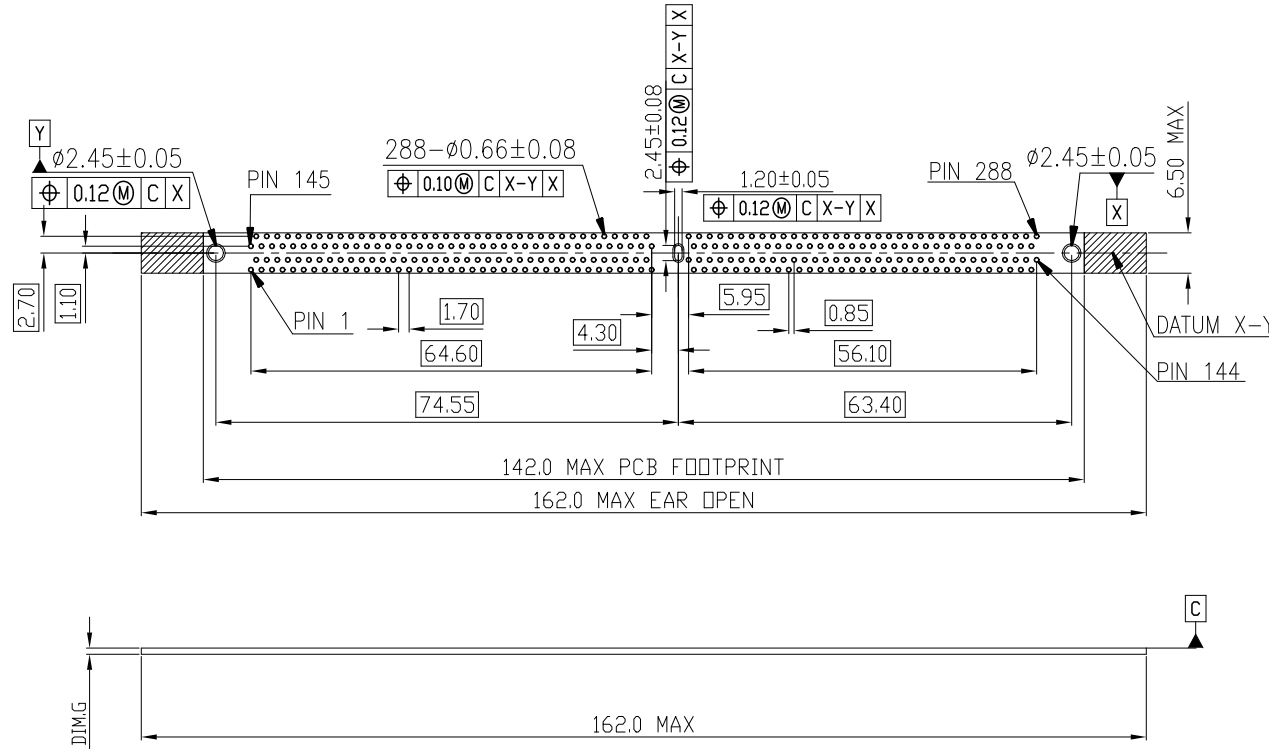
- CONTACT RESISTANCE: INITIAL:10 MILLIOHMS MAX. ,FINAL 20 MILLIOHMS MAX.
- AFTER FULL ENVIRONMENTAL TESTING
- CURRENT RATING: 0.75AMPS MAX.
- INSULATION RESISTANCE: 1 MEGOHMS MIN. AT 500VAC
- DIELECTRIC WITHSTAND VOLTAGE: 500VAC MIN. FOR ONE MINUTE.

6. ENVIRONMENT SPECIFICATION

- OPERATING TEMPERATURE: -44°C TO +85°C.
- SOLDERABILITY: PASSED PER JESD22-B102, Condition C.
- VIBRATION: PASSED PER EIA-364-28.
- HUMIDITY: PASSED PER EIA-364-31.
- THERMAL SHOCK: PASSED PER EIA-364-32.
- MECHANICAL SHOCK: PASSED PER EIA-364-27.

7. PART NUMBER INFORMATION:

- 40-42057-288 X X X X X X X X
- HF: HALOGEN FREE DEFAULT: HALOGEN
 - PACKAGE CODE: T: SOFT TRAY PACKING
D: HARD TRAY PACKING
 - 1.NO LOGO 2. DEREN LOGO
 - PLATING CODE: 1: GOLD 1u"Min 2: GOLD 15u"
3: GOLD 20u" 4: GOLD 30u"
 - EAR COLOR:1:BLACK 2:WHITE 3:BLUE 4:GREEN 5:GREY
 - HOUSING COLOR:
 - 1:BLACK/U
 - 2:WHITE
 - 4:BLUE(2935U)
 - 5:GREEN
 - 7:DARK GREY (432U)
 - 8:RED (186C)
 - 0:YELLOW (107C)
 - TAIL LENGTH:0:2.10 1:2.40 2:2.70
3:3.10 4:2.50



RECOMMENDED PCB LAYOUT&THICKNESS(CONNECTOR SIDE)(TOL:±0.05mm)

PART NUMBER	DIM.L CONTACT TAIL	DIM.H BOARD LOCK	DIM.G PCB
40-42057-2880*****	2.10±0.25	3.57±0.25	(1.40 or 1.60)
40-42057-2881*****	2.40±0.25	3.57±0.25	1.60
40-42057-2882*****	2.70±0.25	3.57±0.25	1.60
40-42057-2883*****	3.10±0.25	3.85±0.25	2.40
40-42057-2884*****	2.50±0.25	3.57±0.25	1.60

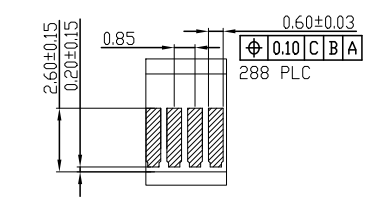
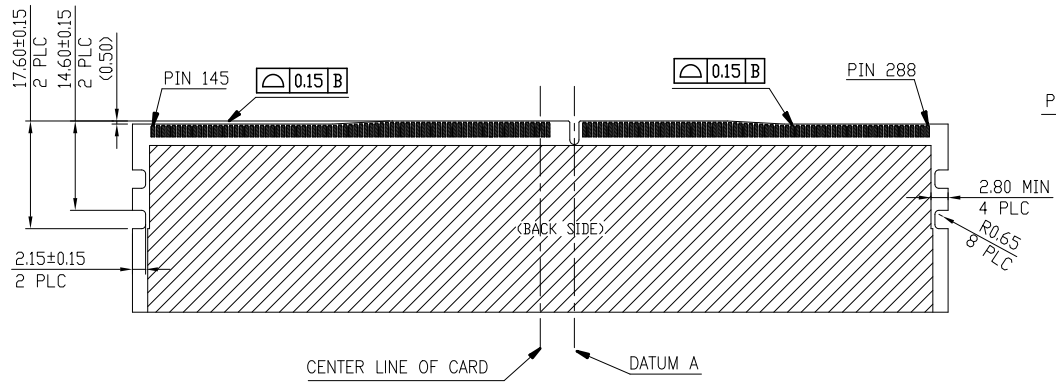
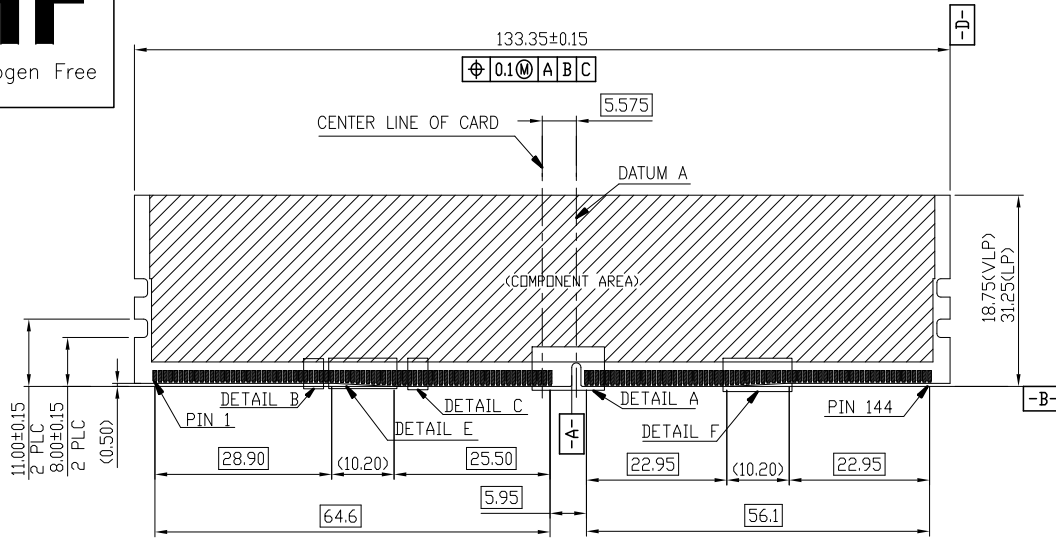
DIM	TOL	DIM	TOL
x.	±0.35	x.	±2*
.x	±0.25	.x	±1*
.xx	±0.20		
.xxx	±0.15		

DEREN	SC1600167-23
DRAW NO.	SC1600167-23
CHECK:	Zf.Chen
REV.	I

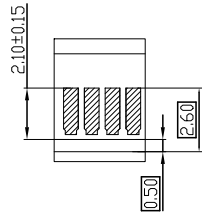
DEREN			
SHENZHEN DEREN ELECTRONIC CO., LTD			
C-DWG	TY	DATE	TITLE: DDR 4 288PIN CONNECTOR
DESIGN:	Yezhijian	2024/04/11	P/N: SEE PART NUMBER INFORMATION
CHECK:	Zf.Chen	2024/04/11	SHEET: 2/4
APPROVAL:	Bill	2024/04/11	SCALE: NA UNIT: mm

HF

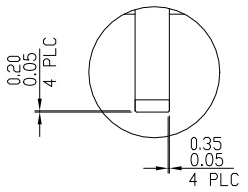
Halogen Free



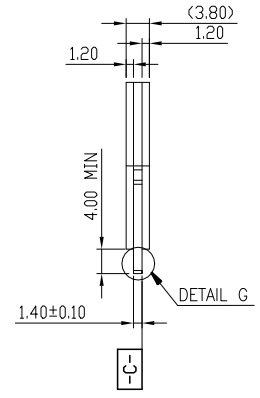
DETAIL C
SCALE 4:1



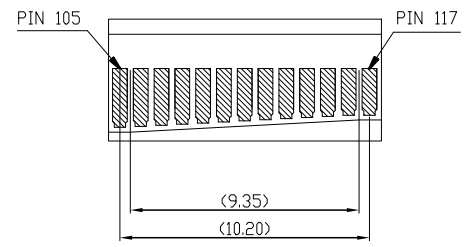
DETAIL B
SCALE 4:1



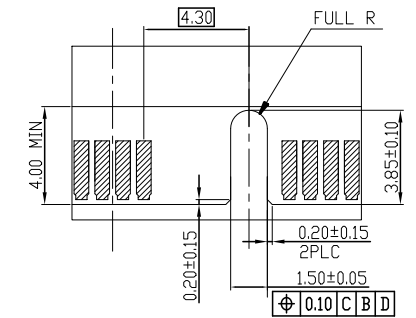
DETAIL G
SCALE 4:1



DETAIL E
SCALE 4:1



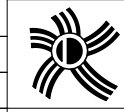
DETAIL F
SCALE 4:1



DETAIL A
SCALE 4:1

REV.	ECN NO.	LOCATION	DESCRIPTION	DATE	DESIGN
A			INITIAL RELEASE	2014/5/14	Heyunfeng
B			ADD NEW P/N	2013/10/29	Heyunfeng
C			MODIFY STRUCTURE	2014/06/04	Heyunfeng
D			ADD NEW TAIL "1.2mm" TYPE, MODIFY DIMENSION - 6.4 FOR 5.0	2014/10/08	Heyunfeng
E			UPDATE CUSTOMER DRAWING	2015/12/08	CZH
F			ADD HOUSING COLOR	2016/03/11	CZH
G			ADD HSG COLOR AND TRAY INF.	2016/10/08	ZQW
H			ADD NEW TAIL 2.5mm TYPE.	2023/04/07	ZC.XIE
I			UPDATE CUSTOMER DRAWING	2024/04/11	Yezhijian

DIM	TOL	DIM	TOL
.x.	±0.35	.x.	±2'
.x	±0.25	.x	±1'
.xx	±0.20		
.xxx	±0.15		



DEREN SHENZHEN DEREN ELECTRONIC CO., LTD			
C-DWG	TY	DATE	TITLE: DDR 4 288PIN CONNECTOR
DESIGN:	Yezhijian	2024/04/11	P/N: SEE PART NUMBER INFORMATION
CHECK:	Zf.Chen	2024/04/11	SHEET: 3/4
APPROVAL:	Bill	2024/04/11	SCALE: NA UNIT: mm

DRAW NO.	SC1600167-23
REV.	I

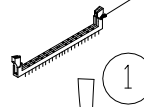
HF

Halogen Free

REV.	ECN NO.	LOCATION	DESCRIPTION	DATE	DESIGN
A			INITIAL RELEASE	2014/5/14	Heyunfeng
B			ADD NEW P/N	2013/10/29	Heyunfeng
C			MODIFY STRUCTURE	2014/06/04	Heyunfeng
D			ADD NEW TAIL "L=2.4mm" TYPE , MODIFY DIMENSION , G.F AND N.V	2014/10/08	Heyunfeng
E			UPDATE CUSTOMER DRAWING	2015/12/08	CZH
F			ADD HOUSING COLOR	2016/03/11	CZH
G			ADD HSG COLOR AND TRAY INF.	2016/10/08	ZQW
H			ADD NEW TAIL 2.5mm TYPE.	2023/04/07	ZC.XIE
I			UPDATE CUSTOMER DRAWING	2024/04/11	Yezhijian

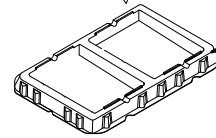
5.4kg	3.5kg	50	10	500	40-42057-288*****T**
GROSS WEIGHT	NET WEIGHT	PCS/ TRAY	TRAY/ BOX	PCS/ BOX	PART NUMBER

product



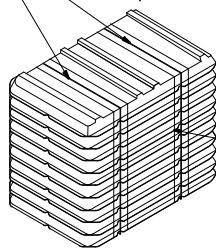
1

Soft Tray



2

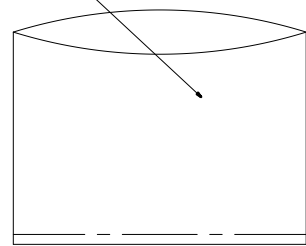
PE film



5

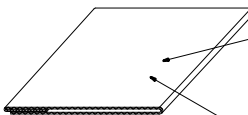
③ Each box has 10 soft trays and 1 soft lid. Each soft tray has 50 products. 500 products in a box in total, and then with PE film to fix around it.

Waterproof bag



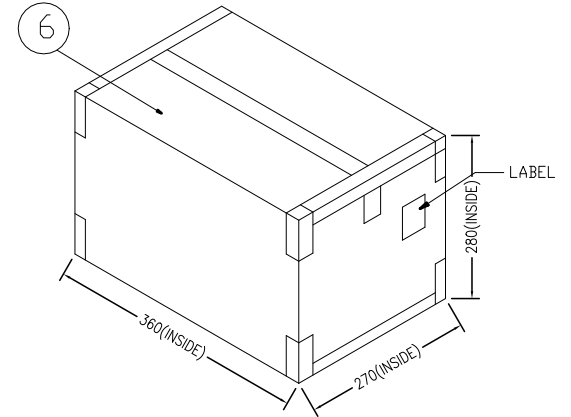
4

Cover these trays with a waterproof bag fully

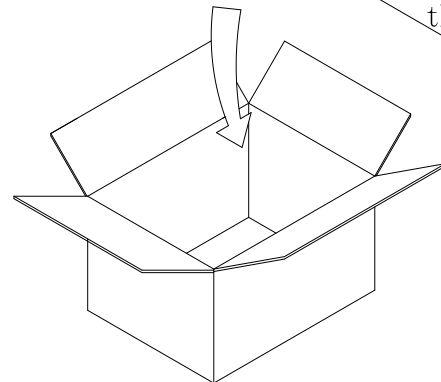



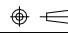
Paper board

Put one of two paper boards into bottom of the box, the other is on top of the soft trays.



6



 DEREN SHENZHEN DEREN ELECTRONIC CO., LTD		C-DWG	TY	DATE	TITLE: DDR 4 288PIN CONNECTOR	
		DESIGN: Yezhijian	2024/04/11	P/N: SEE PART NUMBER INFORMATION		
DRAW NO. SC1600167-23		CHECK: Zf.Chen	2024/04/11	SHEET: 4/4		
REV. I	APPROVAL: Bill	2024/04/11	SCALE: 1:1	UNIT: mm		