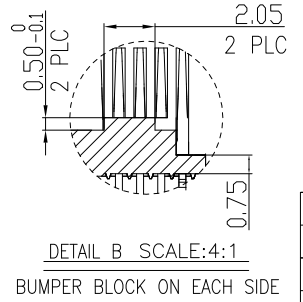
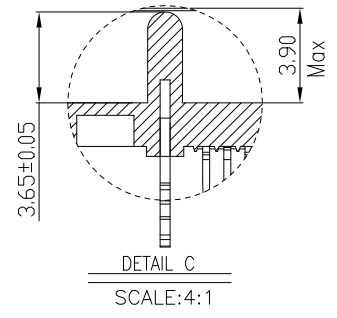
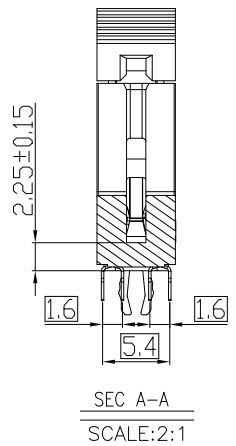
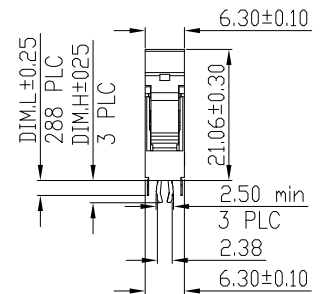



REV	ECN NO.	LOCATION	DESCRIPTION	DATE	DESIGN
A			INITIAL RELEASE	2014/5/14	Heyunfeng
B			ADD NEW P/N	2013/10/29	Heyunfeng
C			MODIFY STRUCTURE	2014/06/04	Heyunfeng
D			ADD NEW TAIL "1-2.4mm" TYPE, MODIFY DIMENSION - G, F AND N	2014/10/08	Heyunfeng
E			UPDATE CUSTOMER DRAWING	2015/12/08	CZH
F			ADD HOUSING COLOR	2016/03/11	CZH
G			ADD HSG COLOR AND TRAY INF.	2016/10/08	ZQW

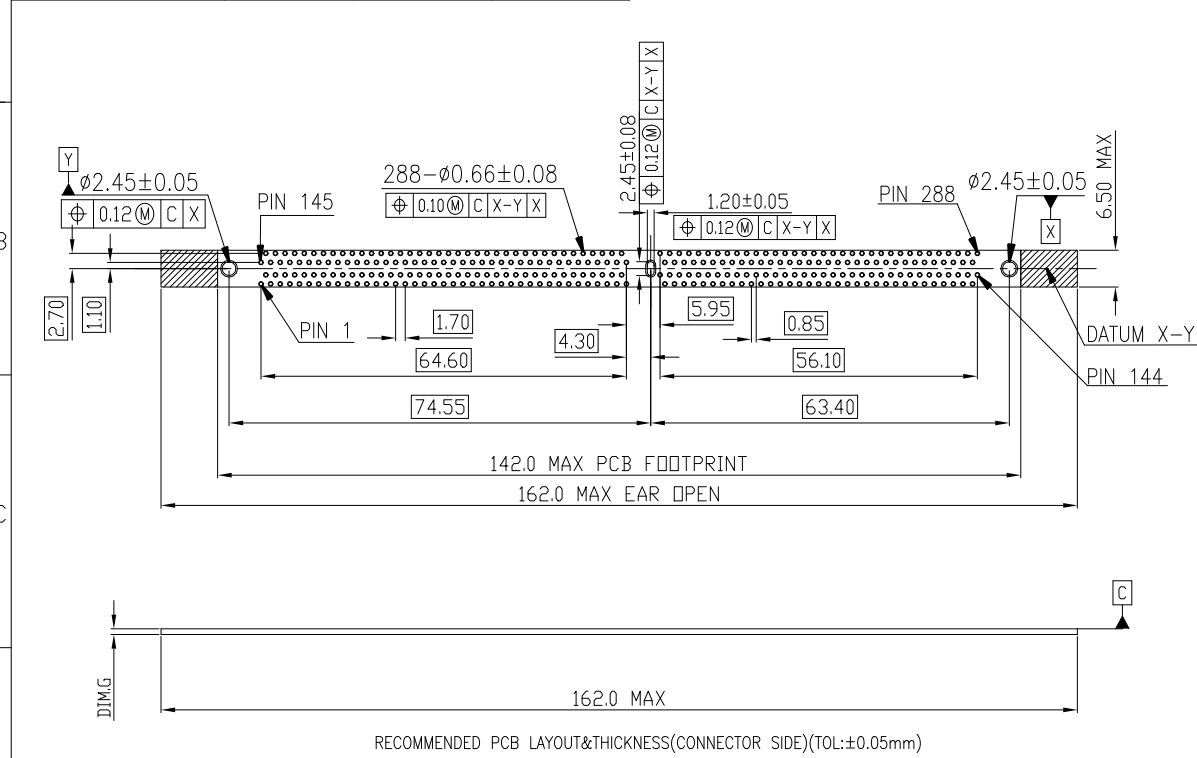


DIM	TOL	DIM	TOL
x	±0.35	x	±2°
.x	±0.25	.x	±1°
.xx	±0.20		
.xxx	±0.15		

 DEREN SHENZHEN DEREN ELECTRONIC CO., LTD		CUSTOMER DRAWING		DATE	TITLE: DDR 4 288PIN CONNECTOR
		DESIGN: Coy	2017/09/26	P/N: SEE PART NUMBER INFORMATION	
DRAW NO. SC1600167-1		CHECK: Bill	2017/09/26	SHEET: 1/4	UNIT: mm
REV: G	APPROVAL: Smark	2017/09/26	SCALE: NA		

1	2	3	4	5	6	7	8
PART NUMBER	DIM.L CONTACT TAIL	DIM.H BOARD LOCK	DIM.G PCB				
40-42181-2880*****	2.10±0.25	3.57±0.25	(1.40 or 1.60)				
40-42181-2881*****	2.40±0.25	3.57±0.25	1.60				
40-42181-2882*****	2.70±0.25	3.57±0.25	1.60				
40-42181-2883*****	3.10±0.25	3.85±0.25	2.40				

REV.	ECN NO.	LOCATION	DESCRIPTION	DATE	DESIGN
A			INITIAL RELEASE	2014/5/14	Heyunfeng
B			ADD NEW P/N	2013/10/29	Heyunfeng
C			MODIFY STRUCTURE	2014/06/04	Heyunfeng
D			DD NEW PIN 1,2,3,4,5,6,7,8,9,10,11,12,13,14,15,16,17,18,19,20,21,22,23,24,25,26,27,28,29,30,31,32,33,34,35,36,37,38,39,40,41,42,43,44,45,46,47,48,49,50,51,52,53,54,55,56,57,58,59,60,61,62,63,64,65,66,67,68,69,70,71,72,73,74,75,76,77,78,79,80,81,82,83,84,85,86,87,88,89,90,91,92,93,94,95,96,97,98,99,100,101,102,103,104,105,106,107,108,109,110,111,112,113,114,115,116,117,118,119,120,121,122,123,124,125,126,127,128,129,130,131,132,133,134,135,136,137,138,139,140,141,142,143,144,145,146,147,148,149,150,151,152,153,154,155,156,157,158,159,160,161,162,163,164,165,166,167,168,169,170,171,172,173,174,175,176,177,178,179,180,181,182,183,184,185,186,187,188,189,190,191,192,193,194,195,196,197,198,199,200,201,202,203,204,205,206,207,208,209,210,211,212,213,214,215,216,217,218,219,220,221,222,223,224,225,226,227,228,229,230,231,232,233,234,235,236,237,238,239,240,241,242,243,244,245,246,247,248,249,250,251,252,253,254,255,256,257,258,259,260,261,262,263,264,265,266,267,268,269,270,271,272,273,274,275,276,277,278,279,280,281,282,283,284,285,286,287,288,289,290,291,292,293,294,295,296,297,298,299,300,301,302,303,304,305,306,307,308,309,310,311,312,313,314,315,316,317,318,319,320,321,322,323,324,325,326,327,328,329,330,331,332,333,334,335,336,337,338,339,340,341,342,343,344,345,346,347,348,349,350,351,352,353,354,355,356,357,358,359,360,361,362,363,364,365,366,367,368,369,370,371,372,373,374,375,376,377,378,379,380,381,382,383,384,385,386,387,388,389,390,391,392,393,394,395,396,397,398,399,400,401,402,403,404,405,406,407,408,409,410,411,412,413,414,415,416,417,418,419,420,421,422,423,424,425,426,427,428,429,430,431,432,433,434,435,436,437,438,439,440,441,442,443,444,445,446,447,448,449,450,451,452,453,454,455,456,457,458,459,460,461,462,463,464,465,466,467,468,469,470,471,472,473,474,475,476,477,478,479,480,481,482,483,484,485,486,487,488,489,490,491,492,493,494,495,496,497,498,499,500,501,502,503,504,505,506,507,508,509,510,511,512,513,514,515,516,517,518,519,520,521,522,523,524,525,526,527,528,529,530,531,532,533,534,535,536,537,538,539,540,541,542,543,544,545,546,547,548,549,550,551,552,553,554,555,556,557,558,559,560,561,562,563,564,565,566,567,568,569,570,571,572,573,574,575,576,577,578,579,580,581,582,583,584,585,586,587,588,589,590,591,592,593,594,595,596,597,598,599,600,601,602,603,604,605,606,607,608,609,610,611,612,613,614,615,616,617,618,619,620,621,622,623,624,625,626,627,628,629,630,631,632,633,634,635,636,637,638,639,640,641,642,643,644,645,646,647,648,649,650,651,652,653,654,655,656,657,658,659,660,661,662,663,664,665,666,667,668,669,670,671,672,673,674,675,676,677,678,679,680,681,682,683,684,685,686,687,688,689,690,691,692,693,694,695,696,697,698,699,700,701,702,703,704,705,706,707,708,709,710,711,712,713,714,715,716,717,718,719,720,721,722,723,724,725,726,727,728,729,730,731,732,733,734,735,736,737,738,739,740,741,742,743,744,745,746,747,748,749,750,751,752,753,754,755,756,757,758,759,760,761,762,763,764,765,766,767,768,769,770,771,772,773,774,775,776,777,778,779,780,781,782,783,784,785,786,787,788,789,790,791,792,793,794,795,796,797,798,799,800,801,802,803,804,805,806,807,808,809,810,811,812,813,814,815,816,817,818,819,820,821,822,823,824,825,826,827,828,829,830,831,832,833,834,835,836,837,838,839,840,841,842,843,844,845,846,847,848,849,850,851,852,853,854,855,856,857,858,859,860,861,862,863,864,865,866,867,868,869,870,871,872,873,874,875,876,877,878,879,880,881,882,883,884,885,886,887,888,889,890,891,892,893,894,895,896,897,898,899,900,901,902,903,904,905,906,907,908,909,910,911,912,913,914,915,916,917,918,919,920,921,922,923,924,925,926,927,928,929,930,931,932,933,934,935,936,937,938,939,940,941,942,943,944,945,946,947,948,949,950,951,952,953,954,955,956,957,958,959,960,961,962,963,964,965,966,967,968,969,970,971,972,973,974,975,976,977,978,979,980,981,982,983,984,985,986,987,988,989,990,991,992,993,994,995,996,997,998,999,1000	2014/10/08	Heyunfeng
E			UPDATE CUSTOMER DRAWING	2015/12/08	GZH
F			ADD HOUSING COLOR	2016/03/11	GZH
G			ADD HSG COLOR AND TRAY INF.	2016/10/08	ZDW



- NOTES:
- PRODUCT MUST MEET CONTROLLED SUBSTANCES SPEC. ROHS 2.0
- MATERIAL:
 - HOUSING:HIGH TEMPERATURE THERMOPLASTIC, UL94V-0; COLOR: SEE PART NUMBER INFORMATION.
 - EAR:HIGH TEMPERATURE THERMOPLASTIC, UL94V-0;COLOR:SEE PART NUMBER INFORMATION.
 - CONTACT:COPPER ALLOY .
 - BOARD LOCK: STEEL .
 - FINISH:
 - CONTACT:
 - GOLD PLATING(SEE PART NUMBER INFORMATION.) ON CONTACT AREA.
 - 2.03um[80u"] MIN. MATTE-TIN PALTING ON SOLDER TAIL AREA.
 - 2.25um[90u"] MIN. NICKEL ON CONTACT AREA,1.27um[50u"] MIN. ON OTHER AREA
 - REFLOW SOLDER CAPABLE TO 260°C MAX..
 - MECHANICAL SPECIFICATION:
 - INSERTION FORCE: 10.89kg MAX.
 - WITHDRAW FORCE: 14 g MIN PER CONTACT PAIR
 - CONTACT RETENTION FORCE: 0.3kg MIN PER CONTACT
 - DURABILITY: 25MATING AND UNMATING CYCLES
 - INSERTION FORCE OF CONNECTOR INTO PCB (WITH THREE BOARD LOCKS): 7.65kg MAX.
 - ELECTRICAL SPECIFICATION
 - CONTACT RESISTANCE: INITIAL:10 MILLIOHMS MAX. ,FINAL 20 MILLIOHMS MAX.
 - AFTER FULL ENVIRONMENTAL TESTING
 - CURRENT RATING: 0.75AMPS MAX.
 - INSULATION RESISTANCE: 1 MEGOHMS MIN. AT 500VAC
 - DIELECTRIC WITHSTAND VOLTAGE: 500VAC MIN. FOR ONE MINUTE.
 - ENVIRONMENT SPECIFICATION
 - OPERATING TEMPERATURE: -44°C TO +85°C.
 - SOLDERABILITY: PASSED PER JESD22-B102, Condition C.
 - VIBRATION: PASSED PER EIA-364-28.
 - HUMIDITY: PASSED PER EIA-364-31.
 - THERMAL SHOCK: PASSED PER EIA-364-32.
 - MECHANICAL SHOCK: PASSED PER EIA-364-27.
 - PART NUMBER INFORMATION:

40-42181-288 X X X X X X X X

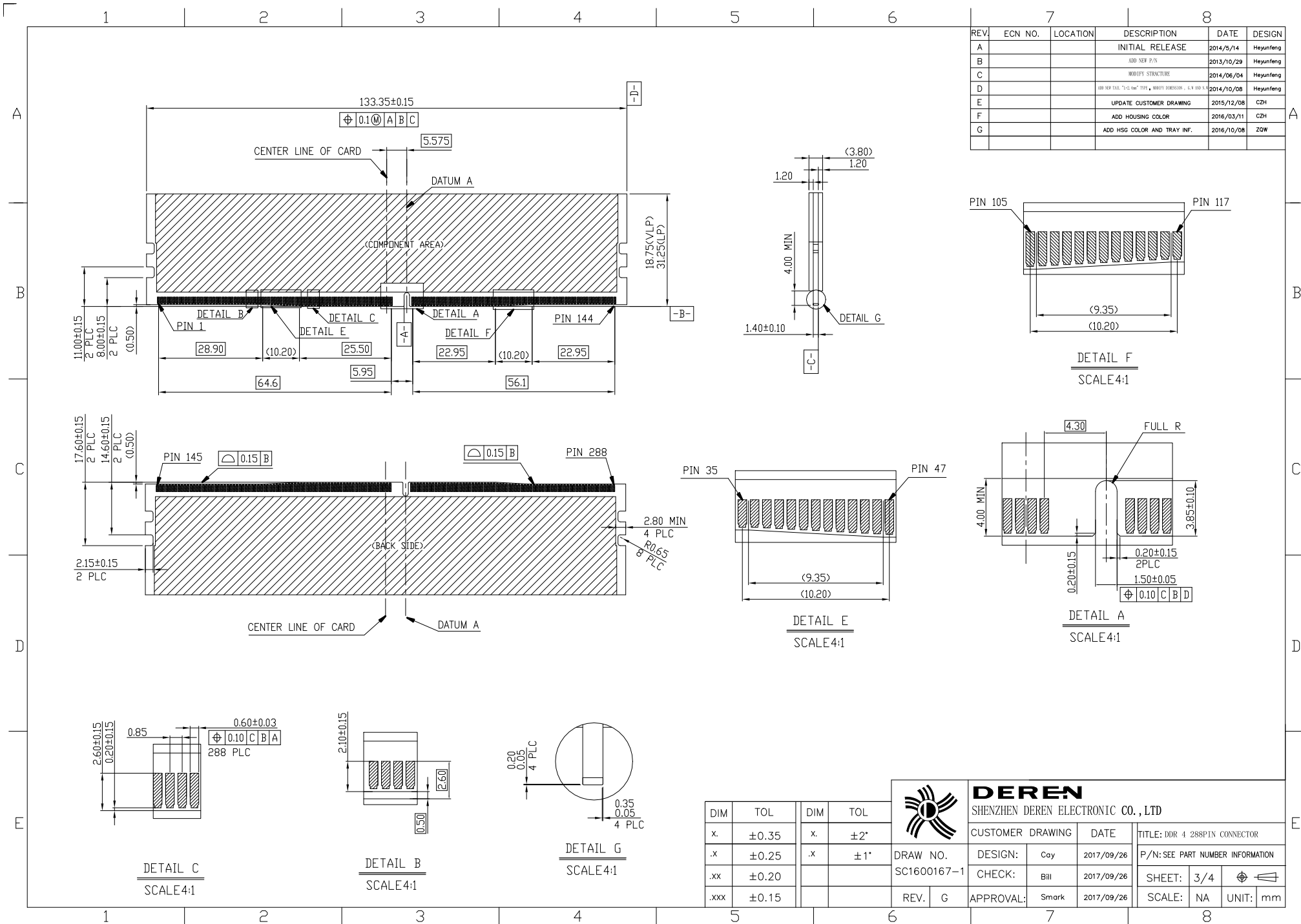
 - HF: HALOGEN FREE DEFAULT: HALOGEN
 - PACKAGE CODE: T: SOFT TRAY PACKING D: HARD TRAY PACKING
 - 1.NO LOGO 2. DEREN LOGO
 - PLATING CODE: 1: GOLD 1u"Min 2: GOLD 15u" 3: GOLD 20u" 4: GOLD 30u"
 - EAR COLOR:1:BLACK 2:WHITIE 3:BLUE 4:GREEN 5:GREY
 - HOUSING COLOR:
 - 1:BLACK/U
 - 2:WHITE
 - 4:BLUE(2935U)
 - 5:GREEN
 - 7:DARK GREY (432U)
 - 8:RED (186C)
 - 0:YELLOW (107C)
 - TAIL LENGTH:0:2.10 1:2.40 2:2.70 3:3.10 4:2.50

RECOMMENDED PCB LAYOUT&THICKNESS(CONNECTOR SIDE)(TOL:±0.05mm)

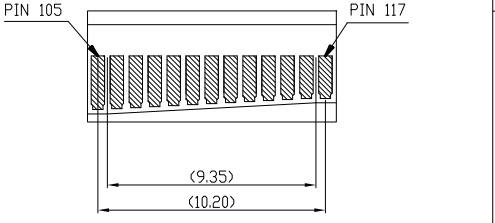
DIM	TOL	DIM	TOL
.x	±0.35	.x	±2'
.x	±0.25	.x	±1'
.xx	±0.20		
.xxx	±0.15		



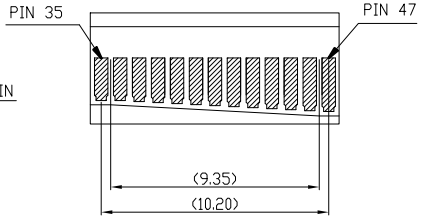
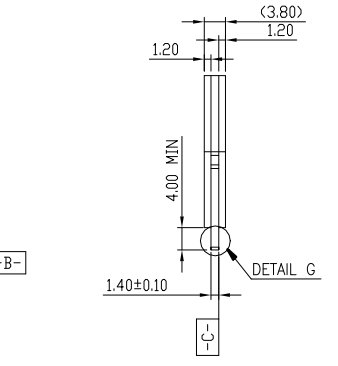
DEREN			
SHENZHEN DEREN ELECTRONIC CO., LTD			
CUSTOMER DRAWING	DATE	TITLE: DDR 4 288PIN CONNECTOR	
DESIGN: Coy	2017/09/26	P/N:SEE PART NUMBER INFORMATION	
CHECK: Bill	2017/09/26	SHEET: 2/4	
REV: G	APPROVAL: Smark	2017/09/26	SCALE: NA UNIT: mm



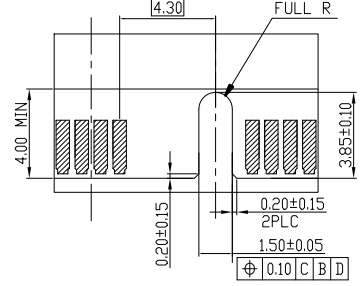
REV.	ECN NO.	LOCATION	DESCRIPTION	DATE	DESIGN
A			INITIAL RELEASE	2014/5/14	Heyunfeng
B			ADD NEW P/N	2013/10/29	Heyunfeng
C			MODIFY STRUCTURE	2014/06/04	Heyunfeng
D			ADD NEW TAIL "1-12-14" TYPE, BRASS TONGUE, 0.4 AND 0.5	2014/10/08	Heyunfeng
E			UPDATE CUSTOMER DRAWING	2015/12/08	CZH
F			ADD HOUSING COLOR	2016/03/11	CZH
G			ADD HSG COLOR AND TRAY INF.	2016/10/08	ZGW



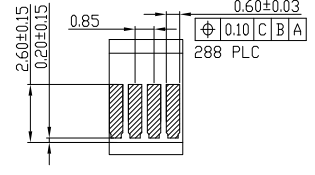
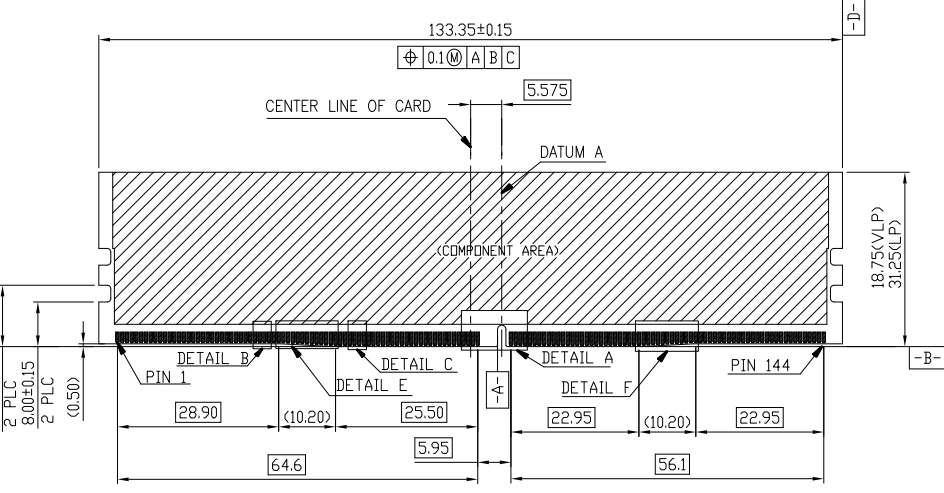
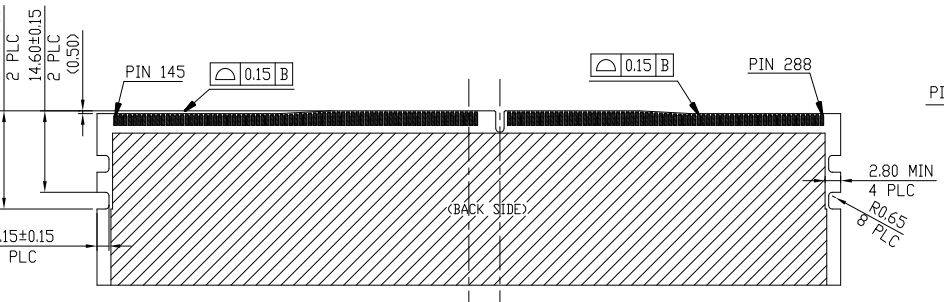
DETAIL F
SCALE 4:1



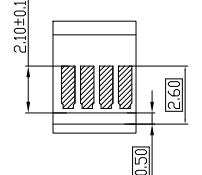
DETAIL E
SCALE 4:1



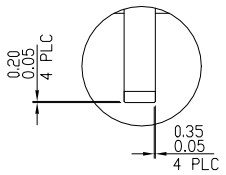
DETAIL A
SCALE 4:1



DETAIL C
SCALE 4:1



DETAIL B
SCALE 4:1



DETAIL G
SCALE 4:1

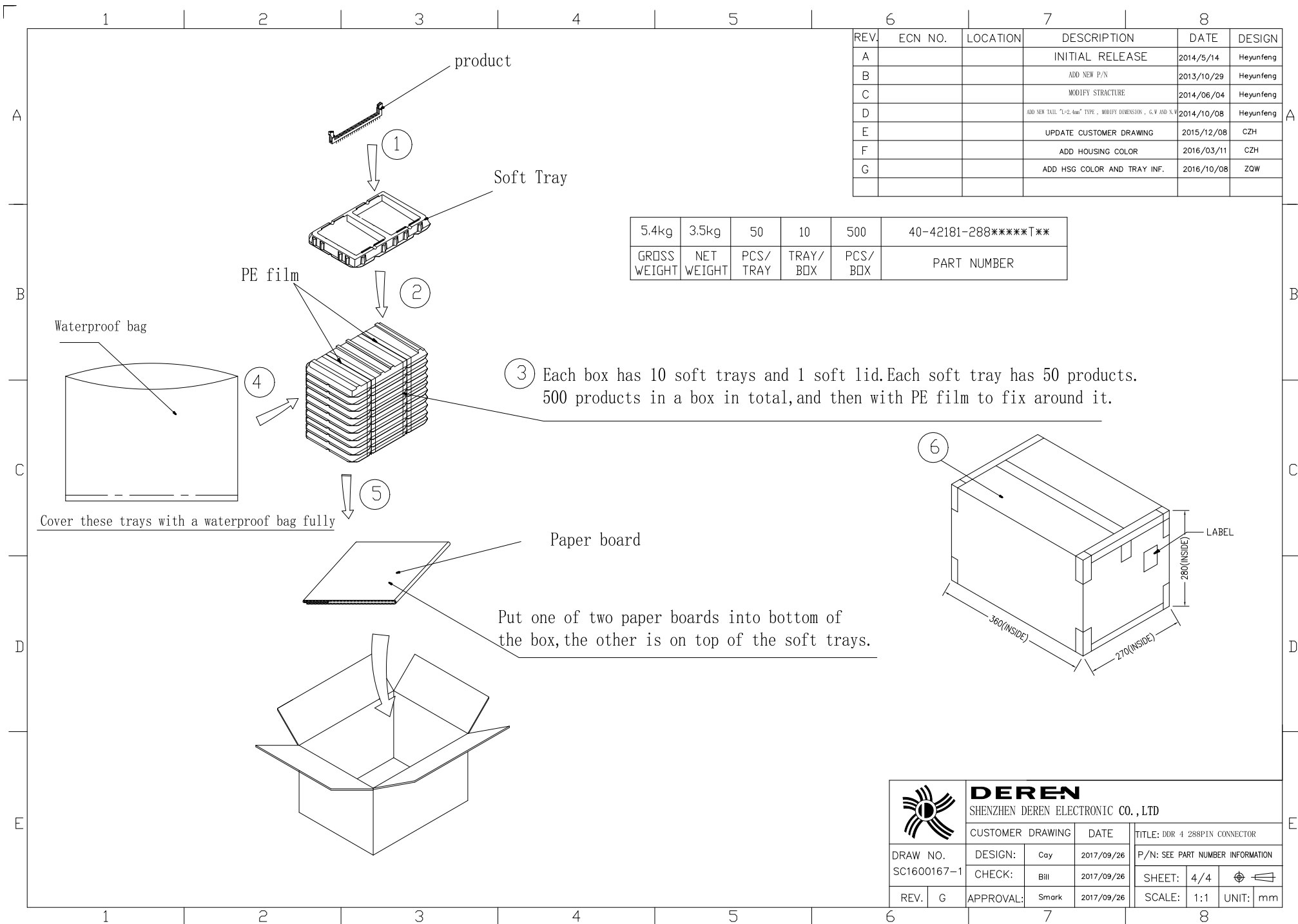
DIM	TOL	DIM	TOL
.x	±0.35	.x	±2°
.x	±0.25	.x	±1°
.xx	±0.20		
.xxx	±0.15		



DEREN
SHENZHEN DEREN ELECTRONIC CO., LTD

DRAW NO.	DESIGN:	DATE
SC1600167-1	Cay	2017/09/26
REV.	CHECK:	DATE
G	Smak	2017/09/26

TITLE: DDR 4 288PIN CONNECTOR		
P/N: SEE PART NUMBER INFORMATION		
SHEET:	3/4	UNIT: mm
SCALE:	NA	



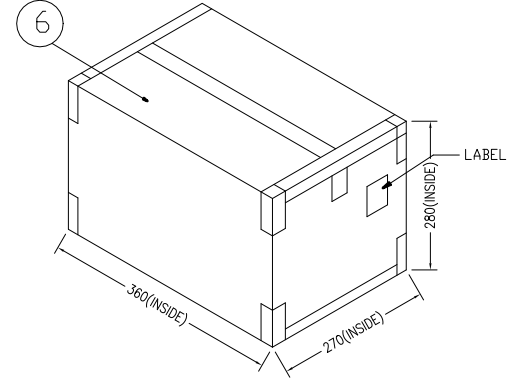
REV.	ECN NO.	LOCATION	DESCRIPTION	DATE	DESIGN
A			INITIAL RELEASE	2014/5/14	Heyunfeng
B			ADD NEW P/N	2013/10/29	Heyunfeng
C			MODIFY STRUCTURE	2014/06/04	Heyunfeng
D			ADD NEW TAIL "L=2.4mm" TYPE , MODIFY DIMENSION , G.W AND N.W	2014/10/08	Heyunfeng
E			UPDATE CUSTOMER DRAWING	2015/12/08	CZH
F			ADD HOUSING COLOR	2016/03/11	CZH
G			ADD HSG COLOR AND TRAY INF.	2016/10/08	ZOW

5.4kg	3.5kg	50	10	500	40-42181-288*****T**
GROSS WEIGHT	NET WEIGHT	PCS/ TRAY	TRAY/ BOX	PCS/ BOX	PART NUMBER

③ Each box has 10 soft trays and 1 soft lid. Each soft tray has 50 products. 500 products in a box in total, and then with PE film to fix around it.

Cover these trays with a waterproof bag fully

Put one of two paper boards into bottom of the box, the other is on top of the soft trays.



		DEREN SHENZHEN DEREN ELECTRONIC CO., LTD			
		CUSTOMER DRAWING	DATE	TITLE: DDR 4 288PIN CONNECTOR	
DRAW NO. SC1600167-1	DESIGN: Cay	2017/09/26	P/N: SEE PART NUMBER INFORMATION		
REV. G	CHECK: Bill	2017/09/26	SHEET: 4/4		
APPROVAL: Smak	2017/09/26	SCALE: 1:1	UNIT: mm		