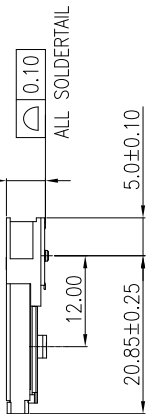
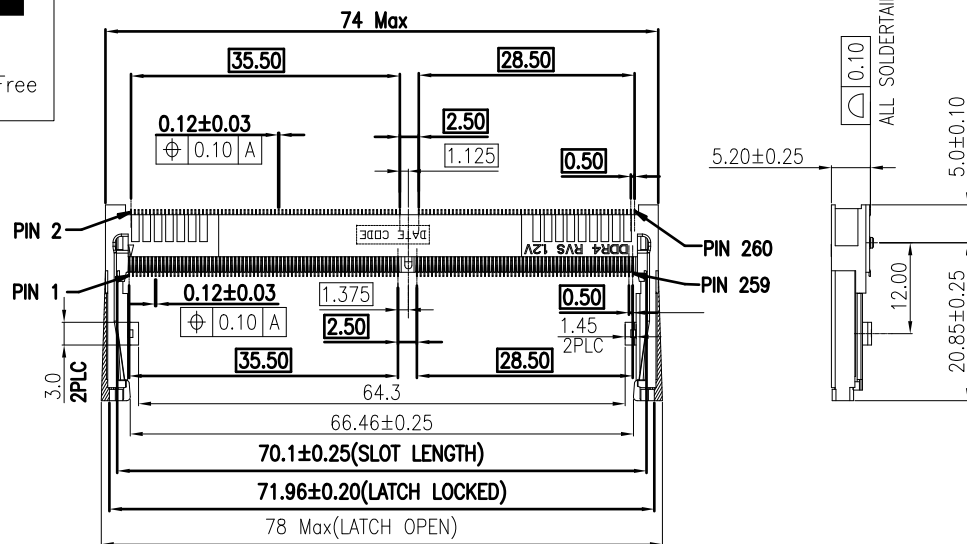


HF

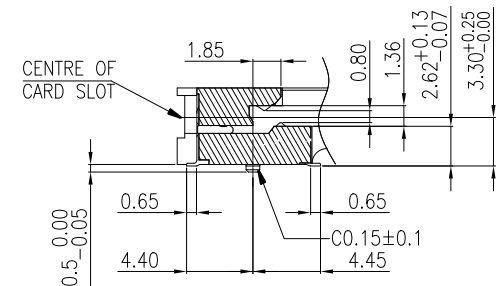
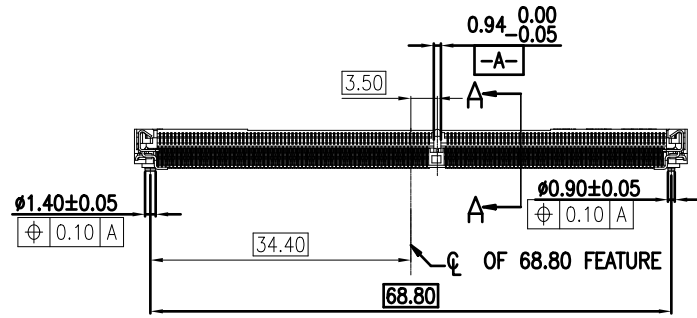
Halogen Free



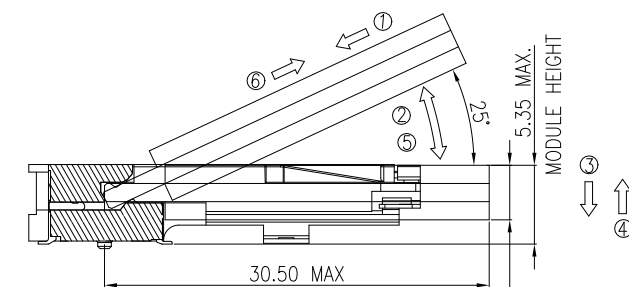
REV.	ECN NO.	LOCATION	DESCRIPTION	DATE	DESIGN
A2			REVISE	8/18'15	Wang.lie
B			REVISE	9/29'16	Wang.lie



- NOTES:**
- MATERIAL:**
 - HOUSING: LCP, UL 94V-0, COLOR: BLACK.
 - CONTACT: PHOSPHOR BRONZE.
 - SOLDER PEG AND LATCH: STAINLESS STEEL.
 - FINISH:**
 - CONTACT: 50u" MIN NICKEL UNDERPLATED ALL OVER. GOLD FLASH PLATING ON SOLDERTAIL. GOLD PLATING (THICKNESS SEE TABLE) ON CONTACT AREA.
 - SOLDER PEG: 50u" MIN NICKEL UNDERPLATED ALL OVER. AU 2u" MAX ON SOLDERTAIL.
 - DATE CODE : YYWWDLX**
 YY: YEAR (09: 2009)
 WW: WEEK (25: THE 25TH WEEK)
 D: DAY (1~7: SUNDAY~SATURDAY)
 L: LINE NUMBER OF ASSEMBLY (A: LINE A)
 X: MANUFACTURE CODE
 - PART NUMBER DESCRIPTION:**
 40-42273-2600XRHF



- HALOGEN CODE:
HF: HALOGEN FREE
- R: TAPE & REEL PACKING
- PLATING CODE:
1: GF 2: Au5u" 3: Au10u"
4: Au15u" 5: Au30u"
- RESERVED
- PIN NUMBER CODE: 260 PINS



MATING: ① INSERTING(25°) → ② ROTATING → ③ FIXED
 UNMATING: ④ UNFIXED → ⑤ ROTATING → ⑥ WITHDRAWING

TABLE 2

30u" Au	40-42273-26005RHF	.x	±0.35	x.	±3'
15u" Au	40-42273-26004RHF	.xx	±0.25	.x'	±2'
10u" Au	40-42273-26003RHF	.xxx	±0.15	.xx'	±1'
5u" Au	40-42273-26002RHF				
GF	40-42273-26001RHF				
PLATING THICKNESS	DEREN P/N				

DIM	TOL	DIM	TOL

DEREN
SHENZHEN DEREN ELECTRONIC CO., LTD

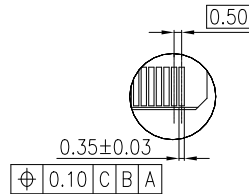
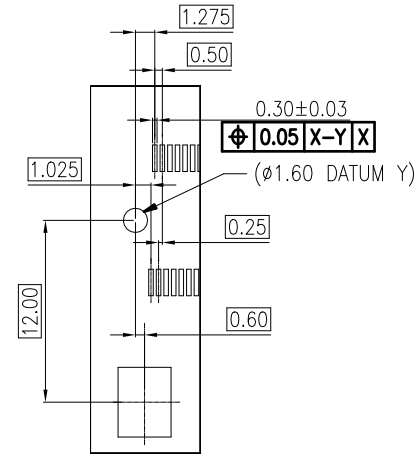
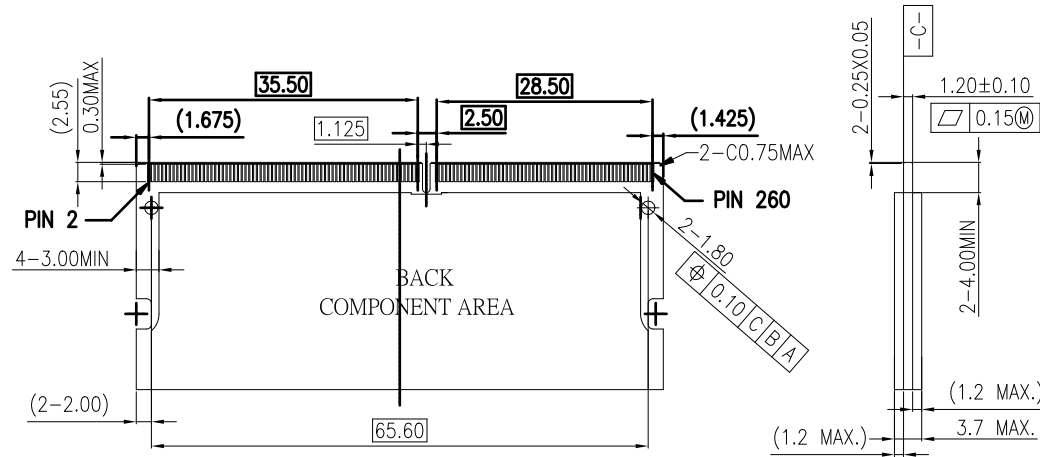
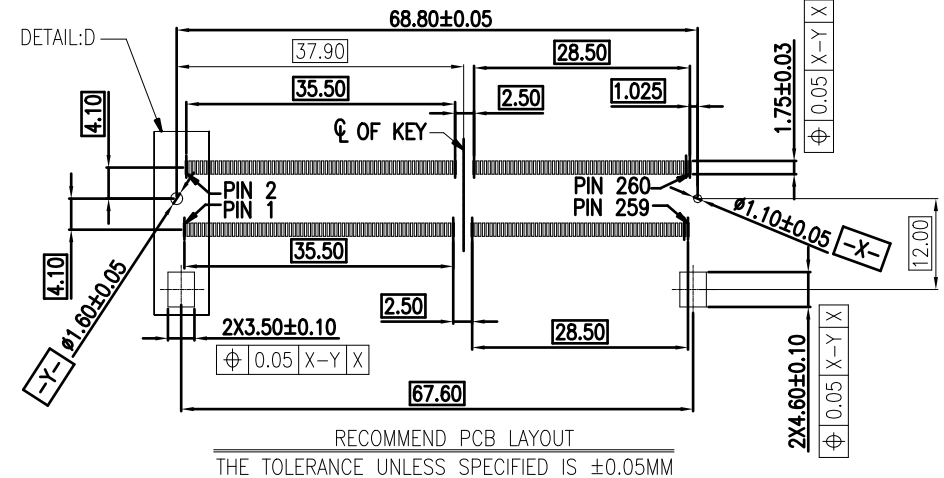
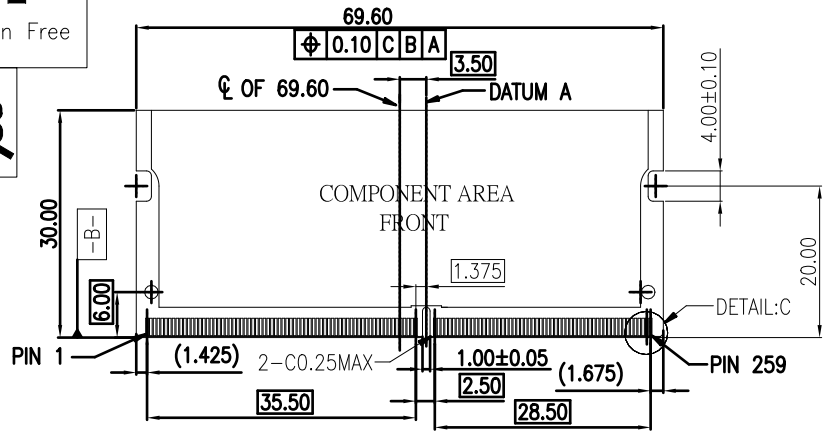
C-DWG	TY	DATE	TITLE: DDR4 SO DIMM 260P 5.2H RVS C-DWG
SC2107743-6	Wang.lie	9/29'16	P/N: SEE TABLE 2
DESIGN:	Bill.lin	9/29'16	SHEET: 1/3
CHECK:	Bill.lin	9/29'16	SCALE: 1:1
APPROVAL:	Bill.lin	9/29'16	UNIT: mm

HF

Halogen Free



REV.	ECN NO.	LOCATION	DESCRIPTION	DATE	DESIGN
A2			REVISE	8/18'15	Wang.lie
B			REVISE	9/29'16	Wang.lie



DETAIL:C
 SCALE 2:1

DETAIL:D
 SCALE 2:1

DIM	TOL	DIM	TOL
.x	±0.35	x.*	±3*
.xx	±0.25	.x*	±2*
.xxx	±0.15	.xx*	±1*

DEREN
 SHENZHEN DEREN ELECTRONIC CO., LTD

C-DWG	TY	DATE	TITLE: DDR4 SD DIMM 260P 5.2H RVS C-DWG
DESIGN:	Wang.lie	9/29'16	P/N: SEE TABLE 2
CHECK:	Bill.lin	9/29'16	SHEET: 2/3
APPROVAL:	Bill.lin	9/29'16	SCALE: 1:1 UNIT: mm

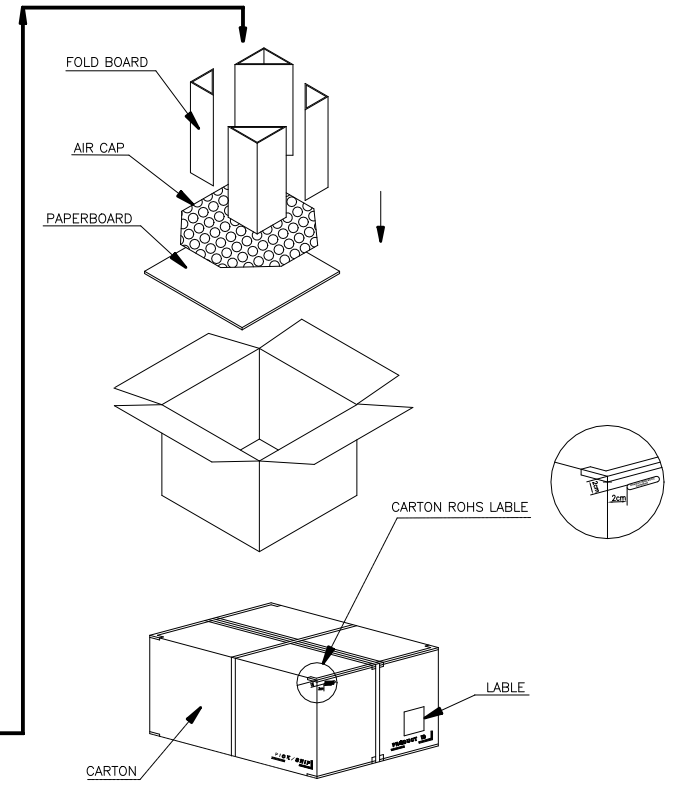
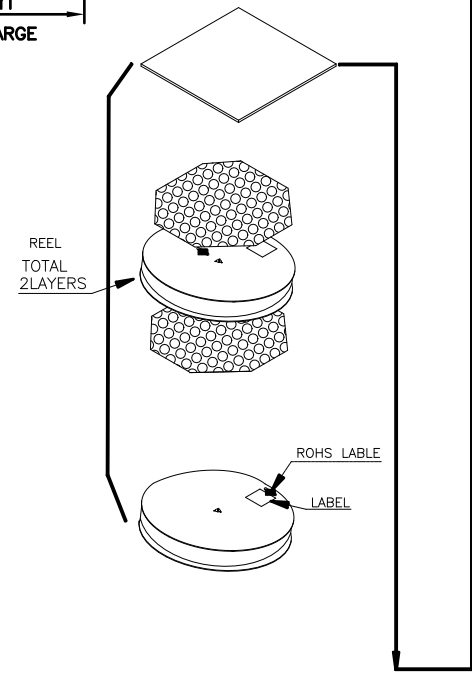
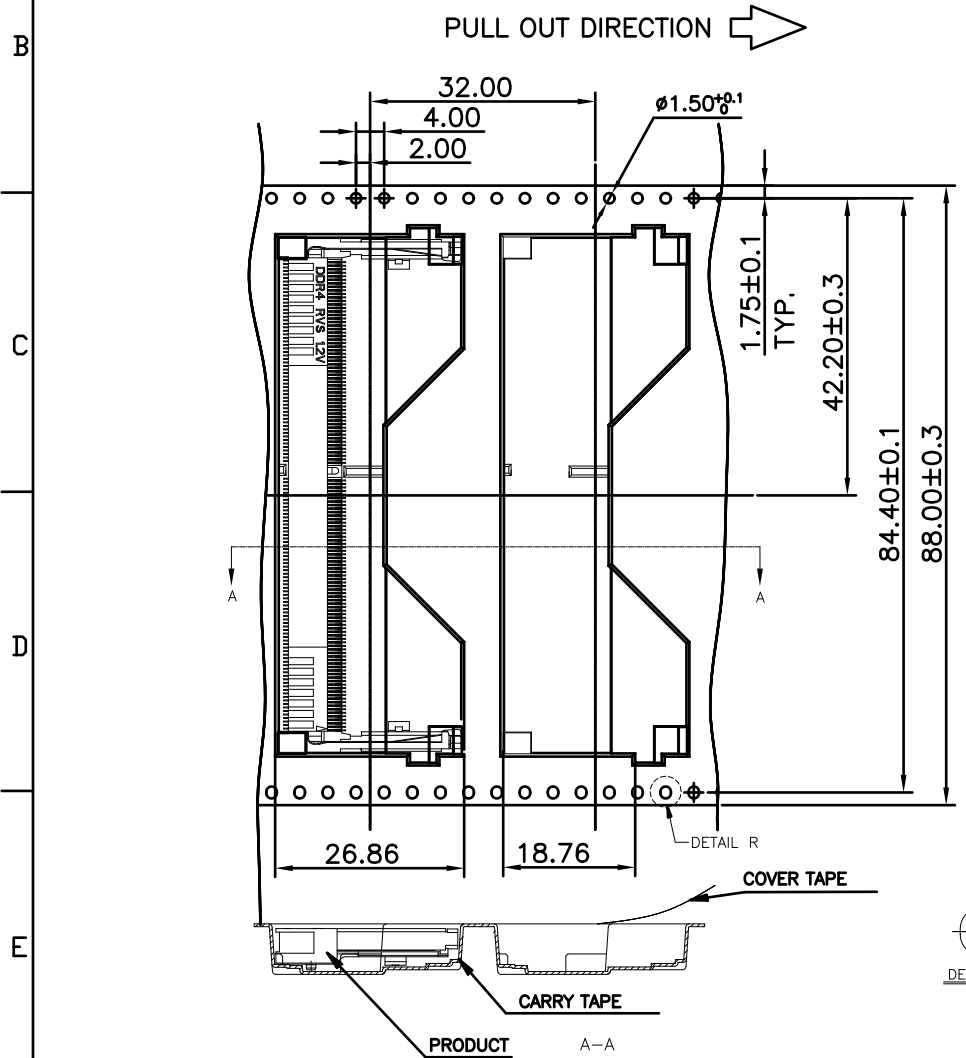
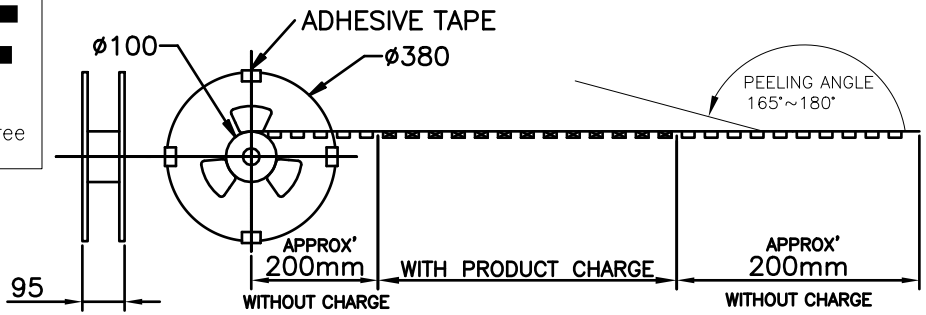
DRAW NO. SC2107743-6
 REV. B

HF

Halogen Free



REV.	ECN NO.	LOCATION	DESCRIPTION	DATE	DESIGN
A2			REVISE	8/18'15	Wang.lie
B			REVISE	9/29'16	Wang.lie



400 PCS/ REEL	2 REEL/ CARTON	800 PCS/ CARTON	40-42273-2600XRHF PART NUMBER
---------------	----------------	-----------------	-------------------------------

DIM	TOL	DIM	TOL
.X	±0.35	.X'	±3'
.XX	±0.25	.X''	±2'
.XXX	±0.15	.XX'	±1'



DEREN
SHENZHEN DEREN ELECTRONIC CO., LTD

DRAW NO. SC2107743-6
REV. B

C-DWG	TY	DATE
DESIGN:	Wang.lie	9/29'16
CHECK:	Bill.lin	9/29'16
APPROVAL:	Bill.lin	9/29'16

TITLE:	DDR4 SDRAM DIMM 260P 5.2H RVS C-DWG
P/N:	SEE TABLE 2
SHEET:	3/3
SCALE:	1:1
UNIT:	mm