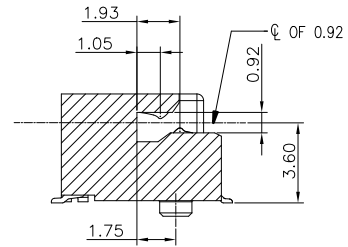
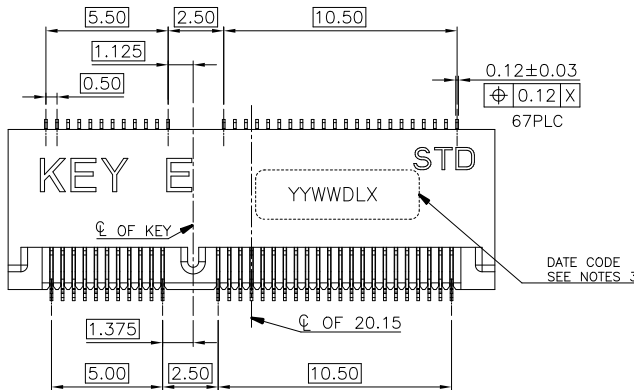


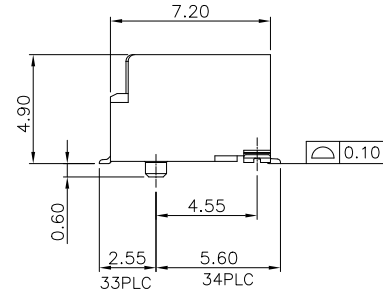
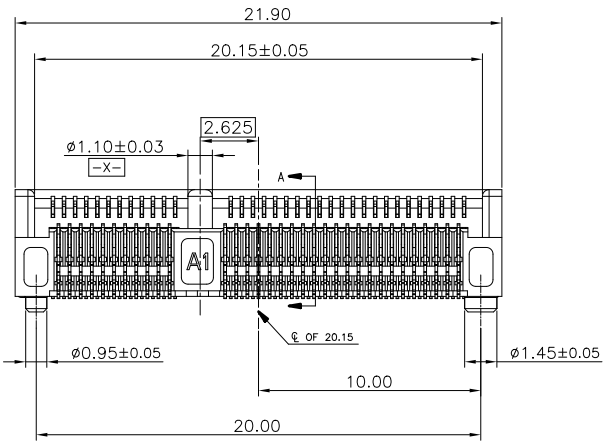
HF

Halogen Free

REV.	ECN NO.	LOCATION	DESCRIPTION	DATE	DESIGN
A			INITIAL RELEASE	2023.12.14	Sid Guo



- NOTES:
- MATERIAL:
 - HOUSING:HIGH TEMPERATURE THERMOPLASTIC,UL94V-0,COLOR:BLACK
 - CONTACT:COPPER ALLOY.
 - SOLDER PEG:STAINLESS STEEL.
 - FINISH:
 - CONTACT: UNDERPLATING NICKEL 50u" MIN OVERALL, GF PLATING ON SOLDER AREA. CONTACT AREA: SEE NOTE 6.
 - SOLDER PEG: MATTE TIN 80u" MIN. AND NICKEL 50u" MIN UNDER PLATING.
 - DATE CODE: YYWDLX
 - YY: YEAR (09: 2009)
 - WW: WEEK (25: THE 25TH WEEK)
 - D: DAY (1~7: SUNDAY~SATURDAY)
 - L: LINE NUMBER OF ASSEMBLY
 - X: MANUFACTURE CODE
 - RECOMMENDED STENCIL THICKNESS:0.12MM
 - CONNECTOR ACTUAL PIN QUANTITY IS 67, AS THE KEY TAKING OUT 8 PINS.
 - PART NUMBER DESCRIPTION: 5621D3-001 H X 4 1 0 2



- PACKING CODE:
 2: EMBOSS WIDTH 44mm, SLOT BACKWARD
 Logo:
 0:No Logo
 1:DR Logo
 Color:
 1:Black
 2:White
 KEY TYPE:
 4: KEY E
 PLATING CODE:
 1: AuGF 2: Au5u"
 3: Au10u" 4: 15u"
 5: Au30u"
 HALOGEN CODE:
 H:HALOGEN FREE

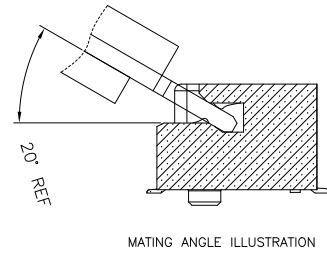
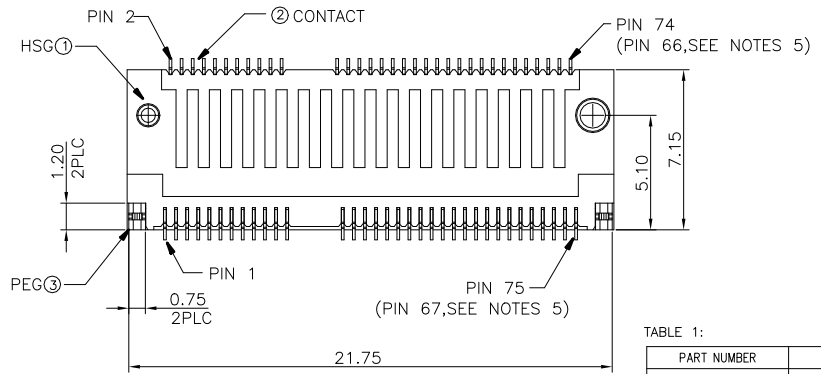


TABLE 1:

PART NUMBER	DESCRIPTION
5621D3-001H14102	Au G/F ON CONTACT AREA
5621D3-001H24102	Au 5u" ON CONTACT AREA
5621D3-001H34102	Au 10u" ON CONTACT AREA
5621D3-001H44102	Au 15u" ON CONTACT AREA
5621D3-001H54102	Au 30u" ON CONTACT AREA

DIM	TOL	DIM	TOL
x.	±0.30	x.	±2*
.x	±0.25	.x	±1*
.xx	±0.15		

DEREN
 SHENZHEN DEREN ELECTRONIC CO., LTD

C-DWG:	TY	DATE	TITLE:NGFF 4.80H KEY E STD NO Logo
DESIGN:	Sid Guo	2023.12.14	P/N: SEE TABLE 1
CHECK:	Mike.Chen	2023.12.14	SHEET: 1/3
APPROVAL:	Bill Lin	2023.12.14	SCALE: N/A UNIT: mm

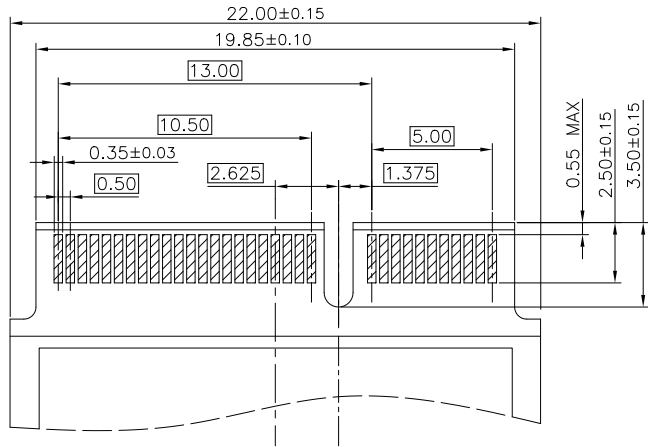
DRAW NO. SC2006910-4

REV. A

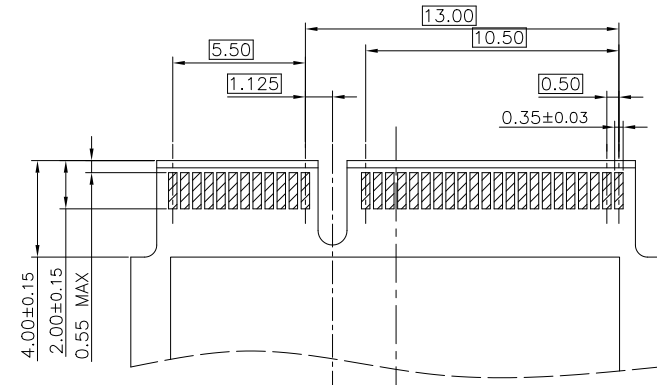
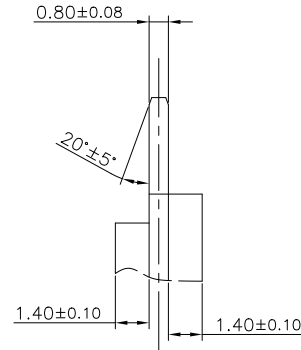
HF

Halogen Free

PLUG PCB

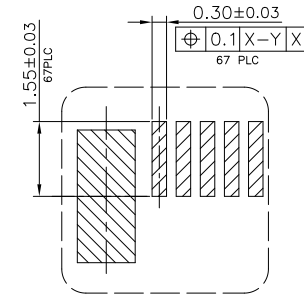
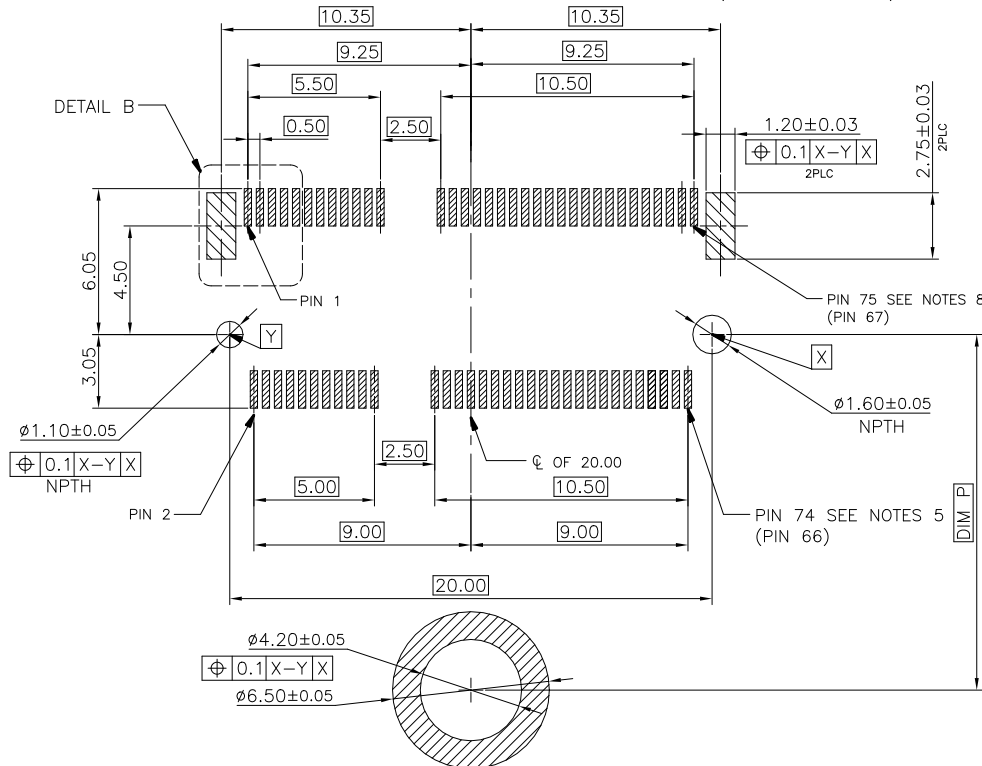


BOTTOM SIDE



TOP SIDE

RECOMMENDED PCB LAYOUT(TOP VIEW)



DETAIL B
SCALE 2:1

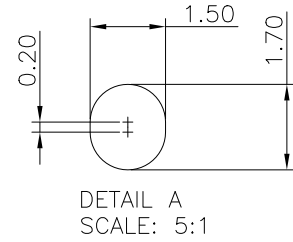
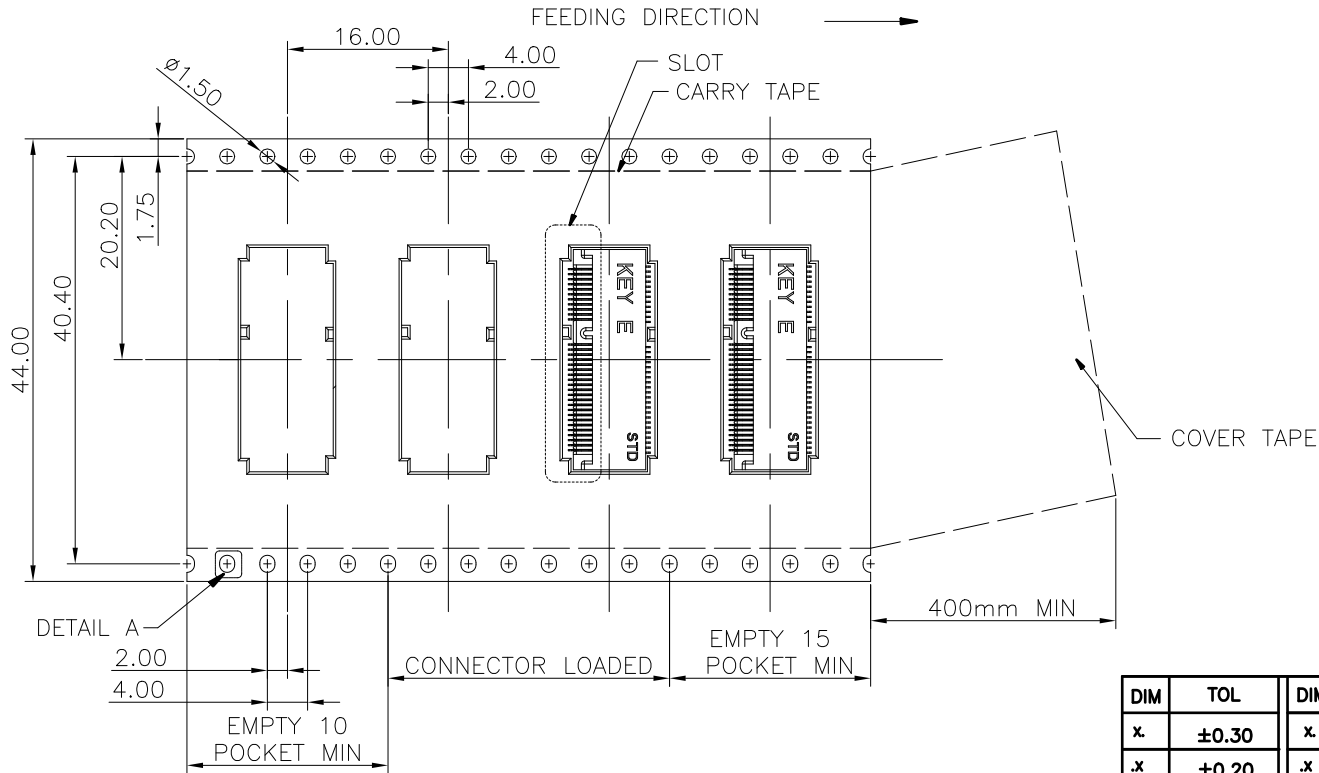
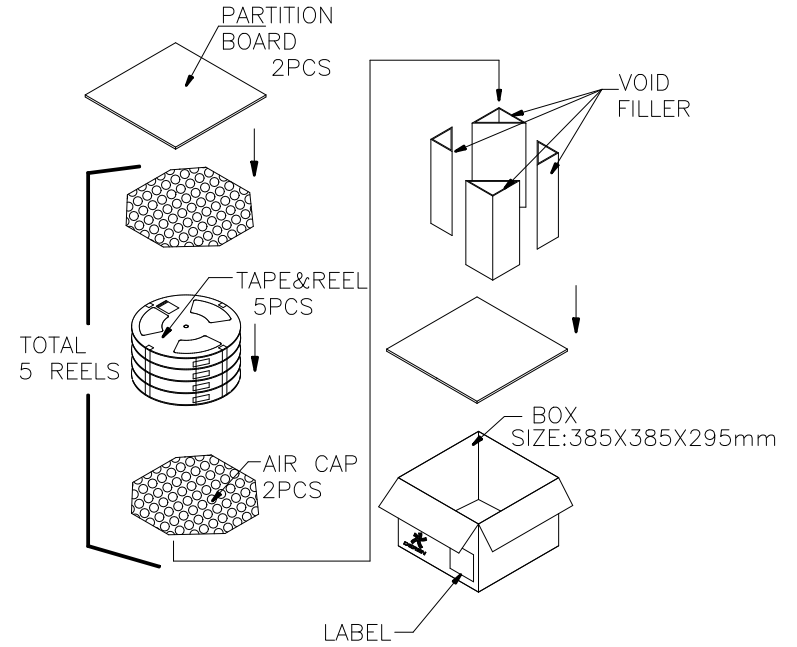
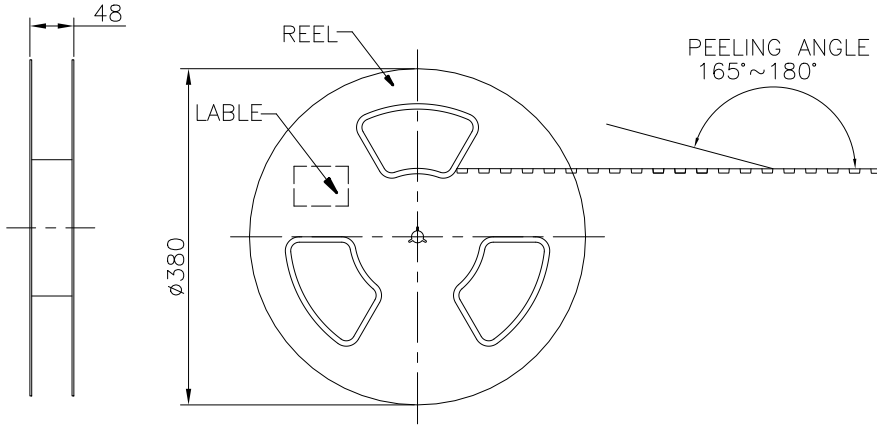
22110	108.25
2280	78.25
2260	58.25
2242	40.25
2230	28.25
3042	40.25
3030	28.25
MODULE TYPE	DIM P

		DEREN SHENZHEN DEREN ELECTRONIC CO., LTD	
DIM	TOL	DIM	TOL
x	±0.30	x	±2'
.x	±0.25	.x	±1'
.xx	±0.15		
C—DWG: TY DATE TITLE: NGFF 4.80H KEY E STD NO Logo		DRAW NO. SC2006910-4 P/N: SEE TABLE 1	
DESIGN: Sid Guo 2023.12.14		SHEET: 2/3	
CHECK: Mike Chen 2023.12.14		SCALE: N/A UNIT: mm	
APPROVAL: Bill Lin 2023.12.14		REV. A	

HF


Halogen Free

EMBOSS WIDTH 44mm, SLOT BACKWARD



900	5	4500
PCS/REEL	REELS/BOX	PCS/BOX

DIM	TOL	DIM	TOL
x	± 0.30	x	$\pm 2'$
.x	± 0.20	.x	$\pm 1'$
.xx	± 0.15		

		DEREN SHENZHEN DEREN ELECTRONIC CO., LTD		
		C-DWG:	TY	DATE
DRAW NO.		DESIGN:	DATE	P/N: SEE TABLE 1
SC2006910-4		CHECK:	DATE	SHEET: 3/3
REV.	A	APPROVAL:	DATE	SCALE: N/A UNIT: mm