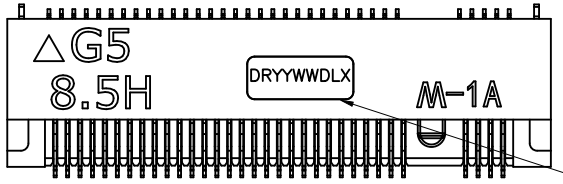
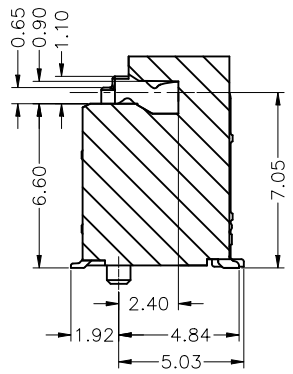
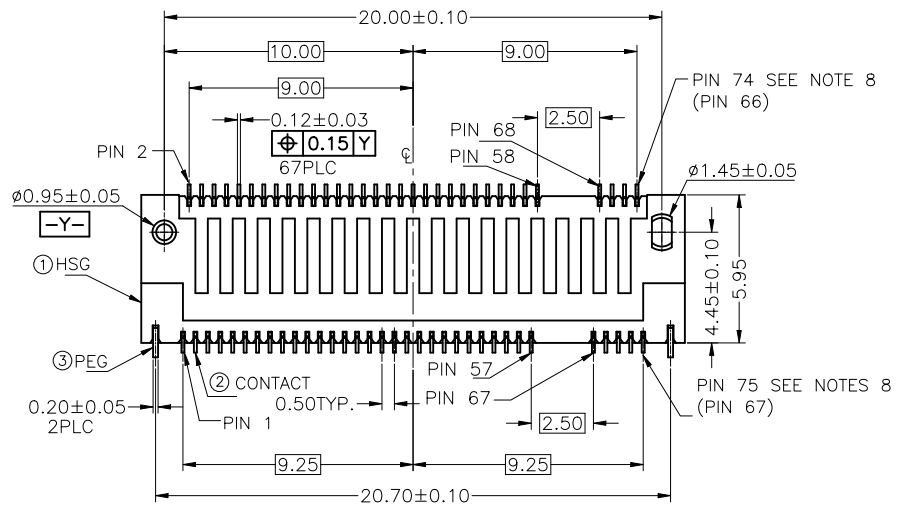
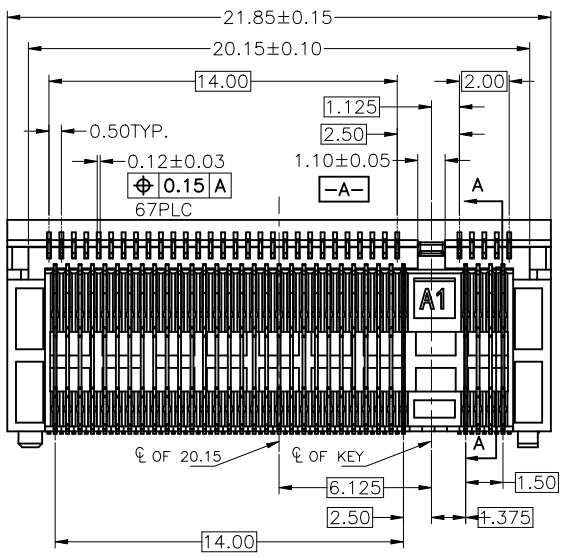


HF

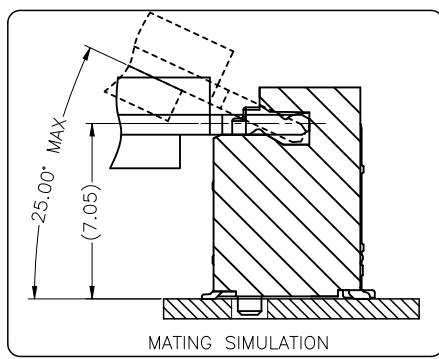
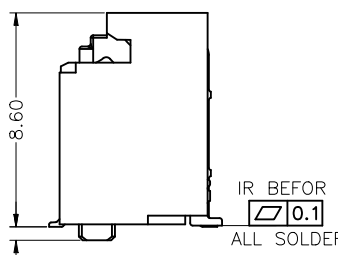
Halogen Free



LOGO&DATE CODE
SEE NOTES 7



SECTION:A-A
SCALE:1:1



MATING SIMULATION

REV.	ECN NO.	LOCATION	DESCRIPTION	DATE	DESIGN
A	NA	NA	INITIAL RELEASASE	11/23'23	Jason Huang

NOTES:
PRODUCT MUST MEET CONTROLLED SUBSTANCES SPEC. ROHS 2.0

- MATERIAL:
 - HOUSING: LCP , UL94V-0; COLOR: BLACK OR WHITE
 - CONTACTS: COPPER ALLOY
 - FLOATING PEG: STAINLESS STEEL
 - CENTER PLATE: STAINLESS STEEL
- FINISH:
 - CONTACT:
 - CONTACT: 50u" MIN NICKEL UNDERPLATED ALL OVER, Au GF PLATING ON SOLDER TAIL. GOLD PLATING (THICKNESS SEE NOTE 10) ON CONTACT AREA.
 - FLOATING PEG:
 - 100u" MIN. MATTE-TIN. 50u" MIN. NICKEL UNDERPLATING.
- REFLOW SOLDER CAPABLE TO 260°C 10SEC.
 - CONTACT CURRENT RATING: 1.0 AMPERE FOR POWER PIN,
 - VOLTAGE RATING: 50V AC.
 - INSULATION RESISTANCE: 500M OHM MIN.(INITIAL), 100M OHM MIN.(FINAL), AT 500V DC, FOR 1 MINUTE.
 - DIELECTRIC WITHSTANDING VOLTAGE: 300V AC RMS AT 60HZ, FOR 1 MINUTE.
 - CONTACT RESISTANCE: 55m OHM MAX(INITIAL) ΔR 20m OHM MAX(FINAL)
- OPERATION TEMPERATURE: -40°C TO +80°C
- MATING FORCE: 2.04Kgf MAX.
DURABILITY: 25 CYCLES
- DATE CODE YYWDLX
YY: YEAR (09: 2009)
WW: WEEK (25: THE 25TH WEEK)
D: DAY (1~7: SUNDAY~SATURDAY)
L: LINE NUMBER OF ASSEMBLY (A: LINE A)
X: MANUFACTURE CODE
- CONNECTOR ACTUAL PIN QUANTITY IS 67, AS THE KEY TAKING OUT 8 PINS.
- RECOMMENDED STENCIL THICKNESS 0.12MM MIN
- PART NUMBER DESCRIPTION:

5621D3-057 H - X B O R

PACKING CODE:
R: EMBOSS WIDTH 44mm, SLOT BACKWARD

COLOR:
0:BLACK WITH DR LOGO 1:WHITE WITH DR LOGO
2:BLACK WITHOUT DR LOGO 3:WHITE WITHOUT DR LOGO

KEY TYPE: B: KEY M
PLATING CODE:
1: GF 2: Au5u"
3: Au10u" 4: Au15u"
5: Au30u"

HALOGEN CODE: H:HALOGEN FREE



DEREN
SHENZHEN DEREN ELECTRONIC CO., LTD

DIM	TOL	DIM	TOL
x.	±0.30	x.	±2°
.x	±0.25	.x	±1°
.xx	±0.15		

DRAW NO.	SC2309419-3
REV.	A

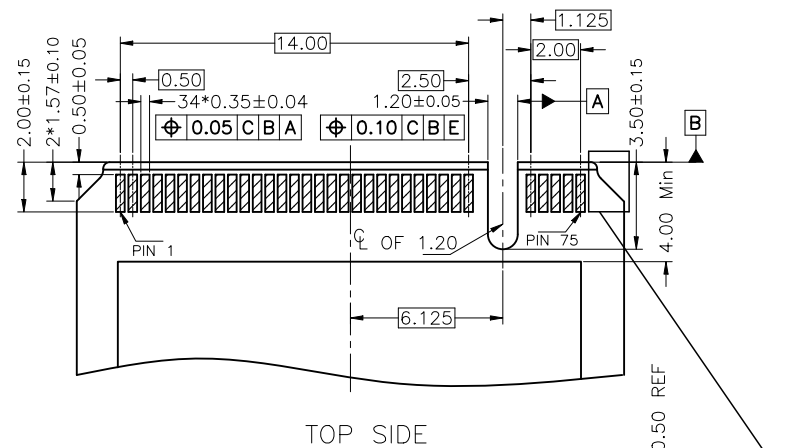
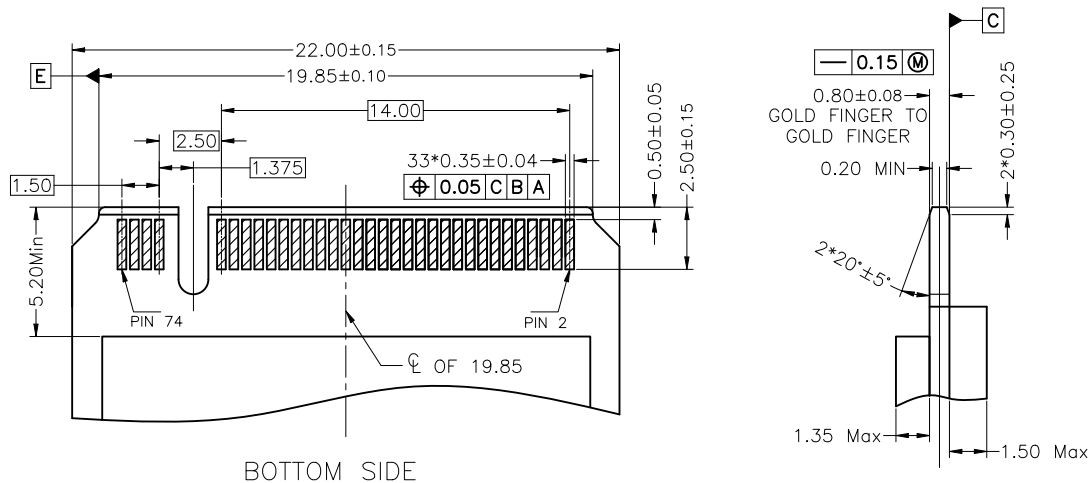
C-DWG	TY	DATE	TITLE: M:2 GEN5 8.5H KEY-M 1A
DESIGN:	Jason Huang	11/23'23	P/N: 5621D3-057H-XBOR
CHECK:	Bill Lin	11/23'23	SHEET: 1/3
APPROVAL:	Bill Lin	11/23'23	SCALE: N/A UNIT: mm

HF

Halogen Free

PLUG PCB

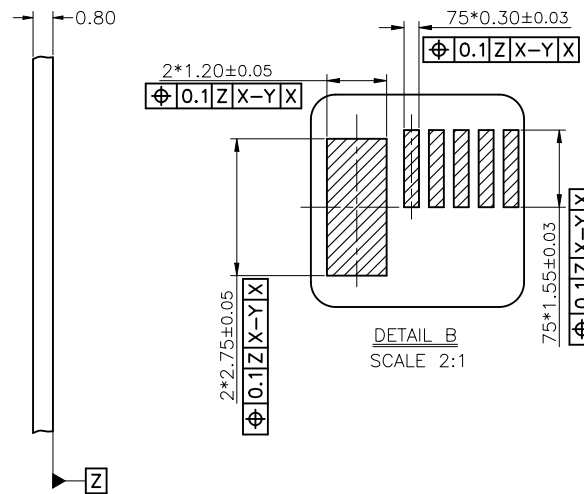
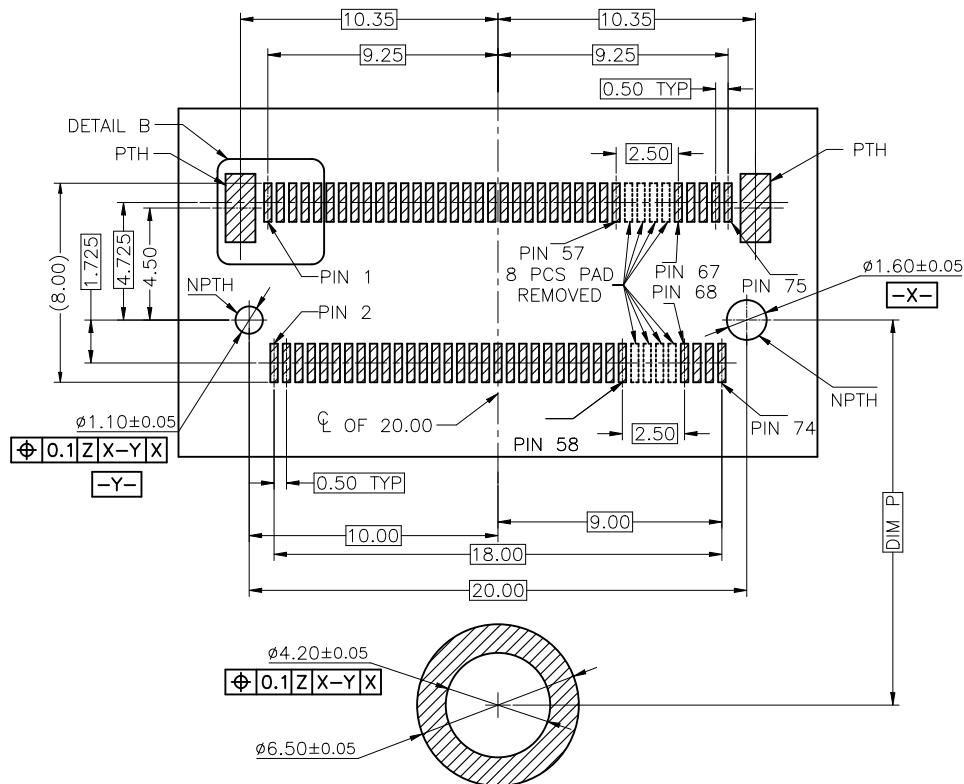
REV.	ECN NO.	LOCATION	DESCRIPTION	DATE	DESIGN
A	NA	NA	INITIAL RELEASASE	11/23'23	Jason Huang



BOTTOM SIDE

TOP SIDE

RECOMMENDED PCB LAYOUT(TOP VIEW)
DEFAULT TOLERANCE ±0.05mm



22110	107.60
2280	77.60
2260	57.60
2242	39.60
2230	27.60
3042	39.60
3030	27.60
MODULE TYPE	DIM P



DEREN
SHENZHEN DEREN ELECTRONIC CO., LTD

DIM	TOL	DIM	TOL
x.	±0.30	x.	±2°
.x	±0.25	.x	±1°
.xx	±0.15		

DRAW NO.	SC2309419-3
REV.	A

C-DWG	TY	DATE
DESIGN:	Jason Huang	11/23'23
CHECK:	Bill Lin	11/23'23
APPROVAL:	Bill Lin	11/23'23

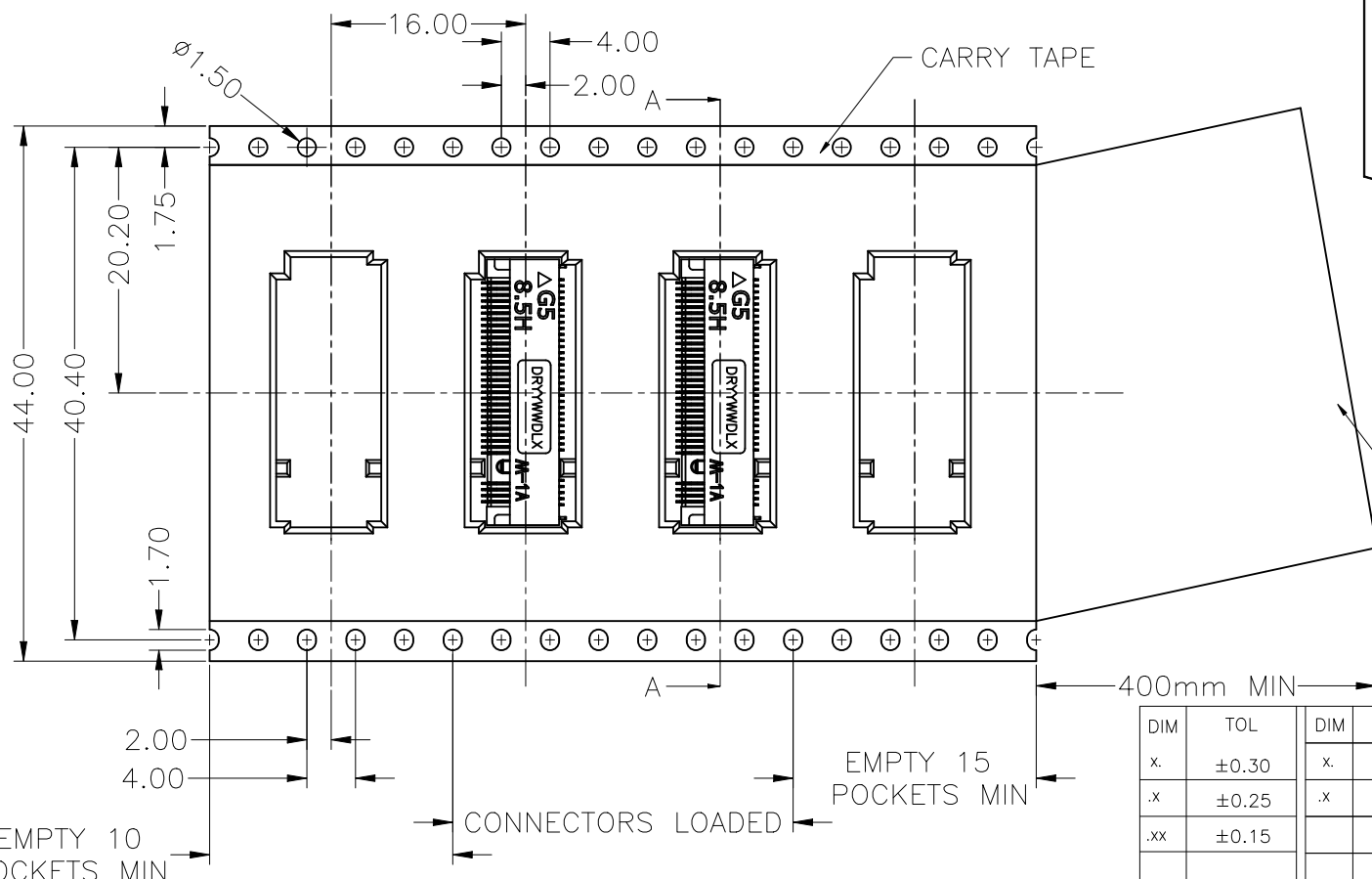
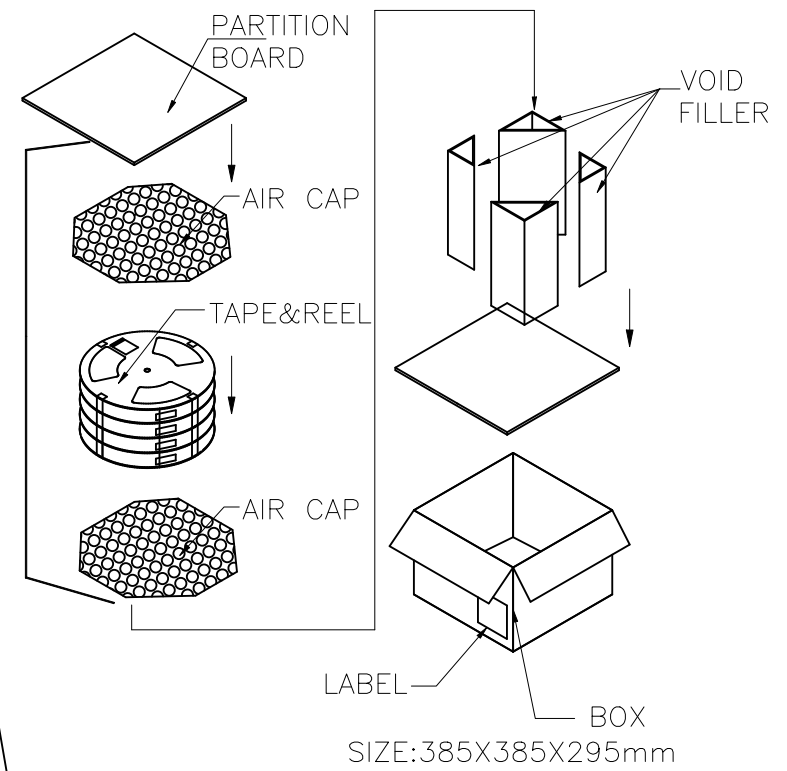
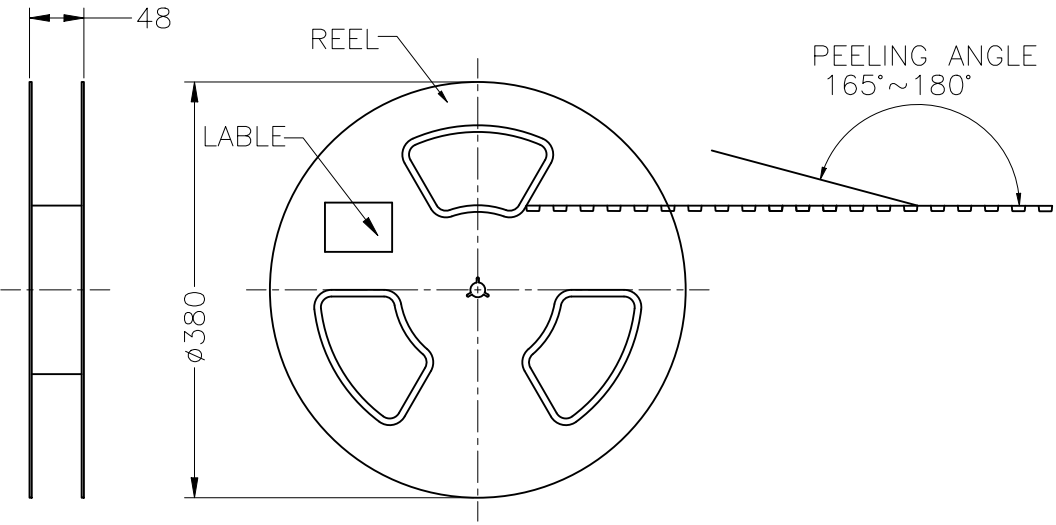
TITLE:	M:2 GEN5 8.5H KEY-M 1A
P/N:	5621D3-057H-XBOR
SHEET:	2/3
SCALE:	N/A
UNIT:	mm

HF
Halogen Free

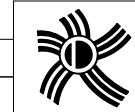


REV.	ECN NO.	LOCATION	DESCRIPTION	DATE	DESIGN
A	NA	NA	INITIAL RELEASASE	11/23'23	Jason Huang

FEEDING DIRECTION →



500	5	2500
PCS/ TAPE	REELS/ BOX	PCS/BOX



DEREN SHENZHEN DEREN ELECTRONIC CO., LTD					
C-DWG	TY	DATE	TITLE: M.2 GEN5 8.5H KEY-M 1A		
DESIGN:	Jason Huang	11/23'23	P/N: 5621D3-057H-XBOR		
CHECK:	Bill Lin	11/23'23	SHEET: 3/3		
APPROVAL:	Bill Lin	11/23'23	SCALE: N/A		UNIT: mm

DIM	TOL	DIM	TOL
x.	±0.30	x.	±2°
.x	±0.25	.x	±1°
.xx	±0.15		

DRAW NO.	SC2309419-3
REV.	A