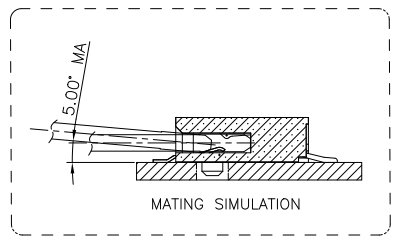
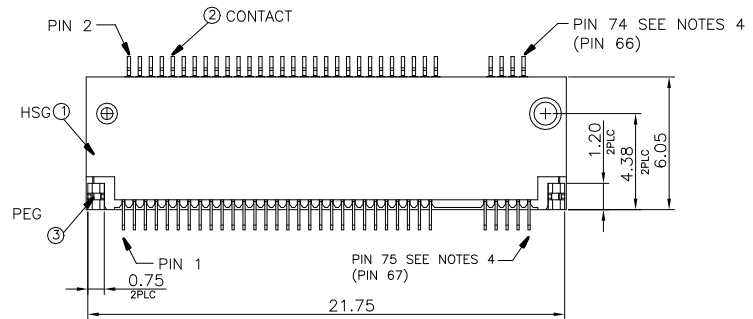
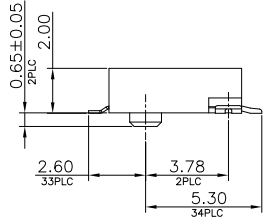
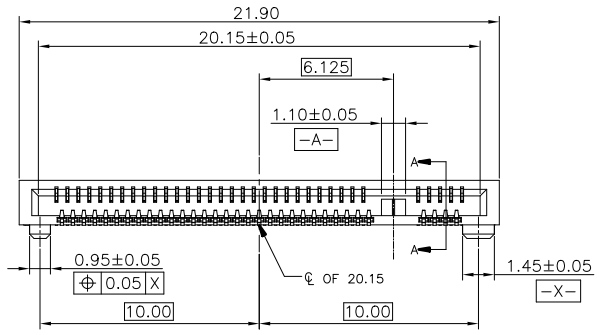
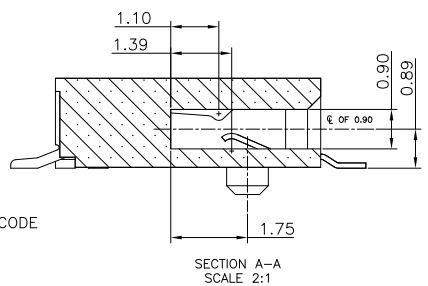
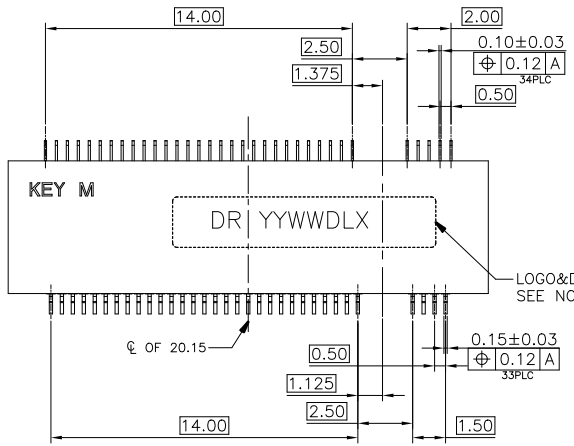


# HF

Halogen Free

REV.	ECN NO.	LOCATION	DESCRIPTION	DATE	DESIGN
A			INITIAL RELEASE	2023.10.23	Sid Guo



NOTES:  
 PRODUCT MEETS CONTROLLED SUBSTANCES SPEC. ROHS 2.0  
 1.MATERIAL:  
 1.1 HOUSING:LCP, UL94V.0; COLOR: BLACK  
 1.2 CONTACT PHOSPHOR BROZNE.  
 1.3 SOLDER PEG AND LATCH:STAINLESS STEEL.  
 2.FINISH:  
 2.1 CONTACT: 50u" MIN NICKEL UNDERPLATED ALL OVER.  
 GOLD FLASH PLATING ON SOLDER TAIL.  
 GOLD PLATING (SEE NOTE 9) ON CONTACT AREA.  
 2.2 SOLDER PEG:  
 MATTE TIN 100u" MIN. AND NICKEL 50u" MIN UNDERPLATED.  
 3.LOGO&DATE CODE:  
 LOGO: DR OR DEREN  
 DATECODE: YYWDLX  
 YY: YEAR (09: 2009)  
 WW: WEEK (25: THE 25TH WEEK)  
 D: DAY (1~7: SUNDAY~SATURDAY)  
 L: LINE NUMBER OF ASSEMBLY (A: LINE A)  
 X: MANUFACTURE CODE  
 4.REFLOW SOLDER CAPABLE TO 260°C 10 SEC.  
 5.ELECTRICAL CHARACTERISTICS :  
 5.1 CURRENT RATING:0.5AMP.  
 5.2 CONTACT RESISTANCE:55 MILLIOHMS MAX. INITIAL,  
 20 MILLIOHMS MAX. CHANGE AFTER TEST.  
 5.3 INSULATION RESISTANCE:500 MEGOHMS MIN. INITIAL  
 100 OHM MIN. CHANGE AFTER TEST.  
 5.4 DIELECTRICAL WITHSTAND VOLTAGE:300V AC  
 MIN.AT SEA LEVEL.  
 6.MECHANICAL CHARACTERISTICS:  
 6.1 INSERTION FORCE:20N MAX.PER CONTACT PAIR.  
 6.2 DURABILITY:60 MATING AND UNMATING CYCLES.  
 6.3 CONTACT RETENTION FORCE:0.1Kgf  
 7.ENVIRONMENTAL CHARACTERISTICS:  
 OPERATING TEMPERATURE RANGE:40°C TO +80°C.  
 8.RECOMMENDED STENCIL THICKNESS:0.12MM MIN.  
 9.PART NUMBER DESCRIPTION:  
 562119-0XXH011X

PACKAGE CODE:  
 R: EMBOSS WIDTH 44mm, SLOT BACKWARD  
 1: EMBOSS WIDTH 44mm, SLOT FORWARD  
 2: EMBOSS WIDTH 32mm, SLOT BACKWARD  
 3: EMBOSS WIDTH 32mm, SLOT FORWARD  
 Logo:  
 0:No Logo  
 1:DR Logo  
 Color:  
 1:Black  
 2:White  
 RESERVED CODE  
 HALOGEN CODE:  
 H:HALOGEN FREE  
 PLATING CODE:  
 16: GF 17: Au5u"  
 18: Au10u" 19: 15u" 20: Au30u"



<b>DEREN</b>		SHENZHEN DEREN ELECTRONIC CO., LTD	
C-DWG:	TY	DATE	TITLE: NGFF 2.0H KEY M GEN4
DESIGN:	Sid Guo	2023.10.23	P/N: 562119-0XXH011X
CHECK:	Mike Chen	2023.10.23	SHEET: 1/6
APPROVAL:	Bill Lin	2023.10.23	SCALE: N/A UNIT: mm

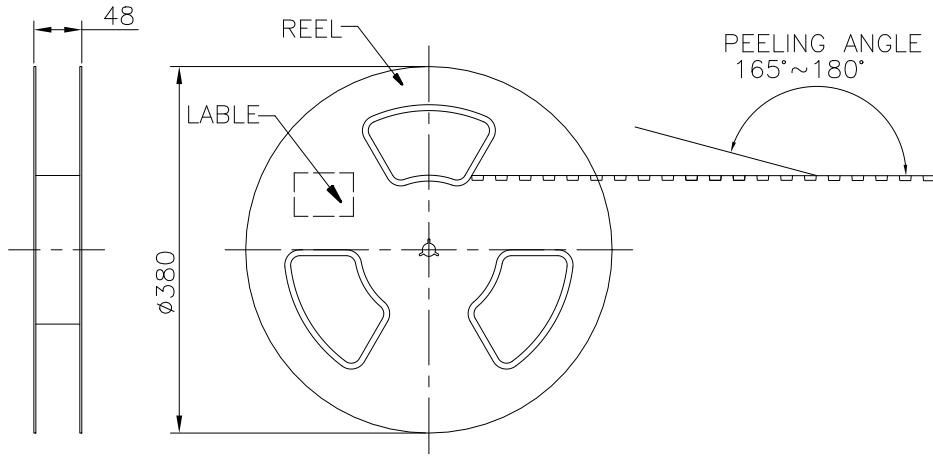
DIM	TOL	DIM	TOL
x	±0.30	x	±2'
.x	±0.25	.x	±1'
.xx	±0.15		

DRAW NO.	SC2208386-7
REV.	A

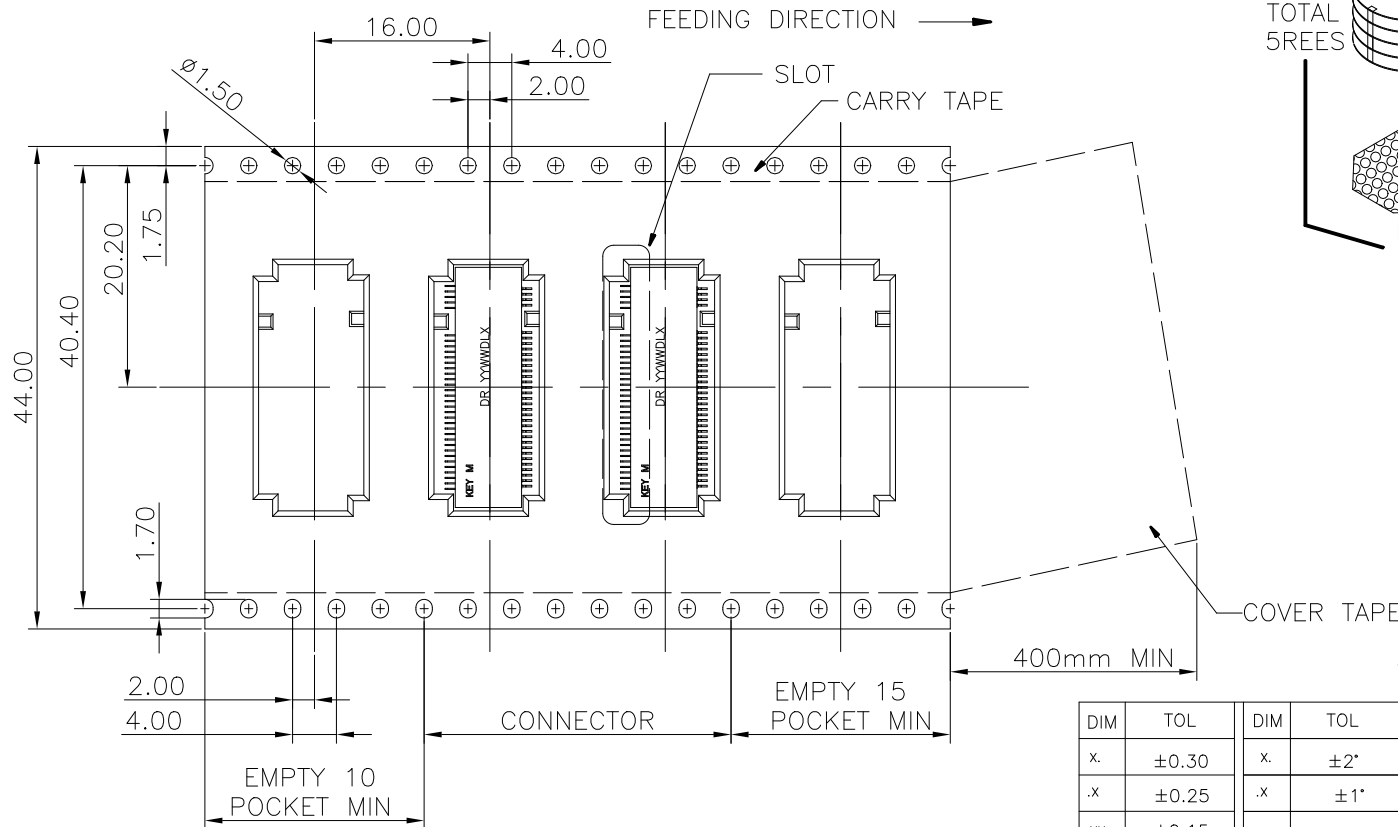
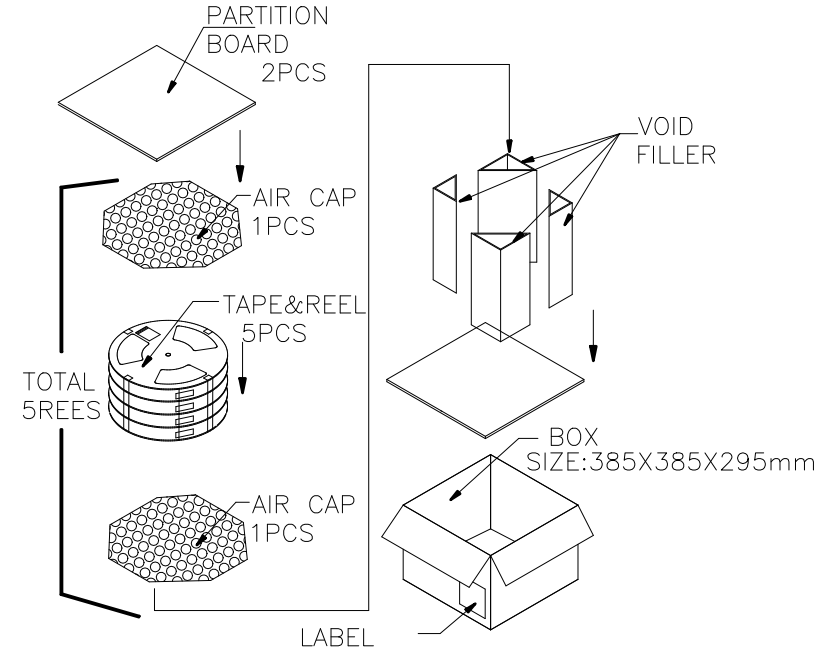


**HF**  
Halogen Free

EMBOSS WIDTH 44mm, SLOT BACKWARD FOR 562119-0XXH011R



REV.	ECN NO.	LOCATION	DESCRIPTION	DATE	DESIGN
A			INITIAL RELEASE	2023.10.23	Sid Guo



1500	5	7500
PCS/TAPE	REELS/BOX	PCS/BOX

DIM	TOL	DIM	TOL
x	±0.30	x	±2*
.x	±0.25	.x	±1*
.xx	±0.15		

**DEREN**  
SHENZHEN DEREN ELECTRONIC CO., LTD

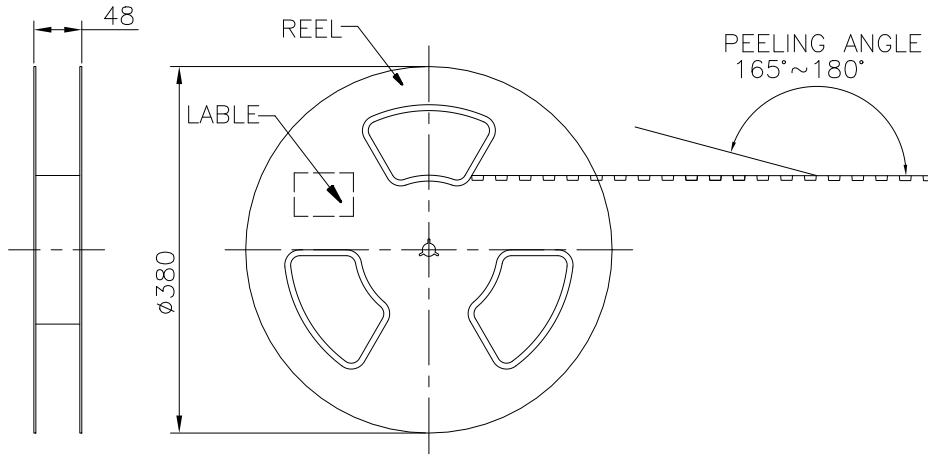
C-DWG:	TY	DATE	TITLE: NGFF 2.0H KEY M GEN4
DESIGN:	Sid Guo	2023.10.23	P/N: 562119-0XXH011X
CHECK:	Mike Chen	2023.10.23	SHEET: 3/6
APPROVAL:	Bill Lin	2023.10.23	SCALE: N/A UNIT: mm

DRAW NO. SC2208386-7

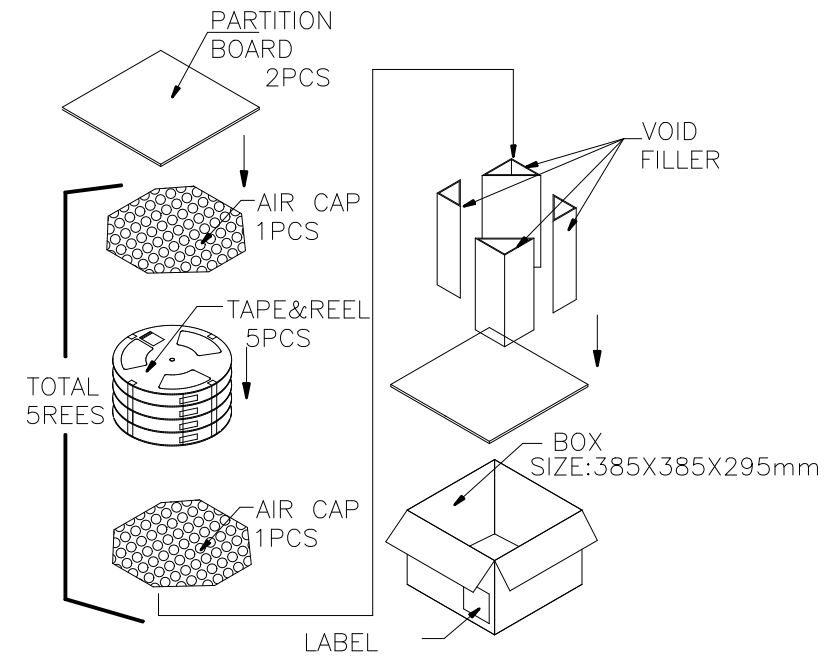
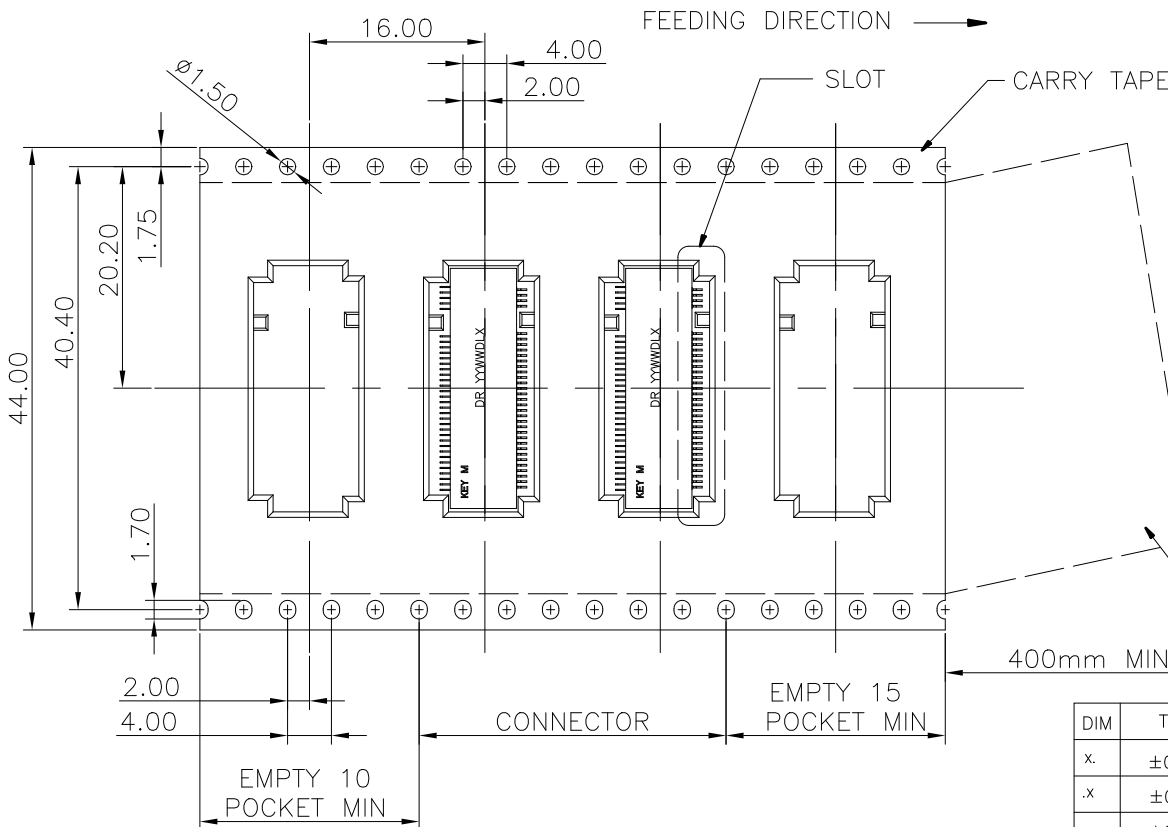
# HF

Halogen Free

EMBOSS WIDTH 44mm, SLOT FORWARD FOR 562119-0XXH0111



REV.	ECN NO.	LOCATION	DESCRIPTION	DATE	DESIGN
A			INITIAL RELEASE	2023.10.23	Sid Guo



1500	5	7500
PCS/TAPE	REELS/BOX	PCS/BOX

DIM	TOL	DIM	TOL
x.	±0.30	x.	±2*
.x	±0.25	.x	±1*
.xx	±0.15		

**DEREN**  
SHENZHEN DEREN ELECTRONIC CO., LTD

C-DWG:	TY	DATE	TITLE: NGFF 2.0H KEY M GEN4
DESIGN:	Sid Guo	2023.10.23	P/N: 562119-0XXH011X
CHECK:	Mike Chen	2023.10.23	SHEET: 4/6
APPROVAL:	Bill Lin	2023.10.23	SCALE: N/A UNIT: mm

DRAW NO. SC2208386-7

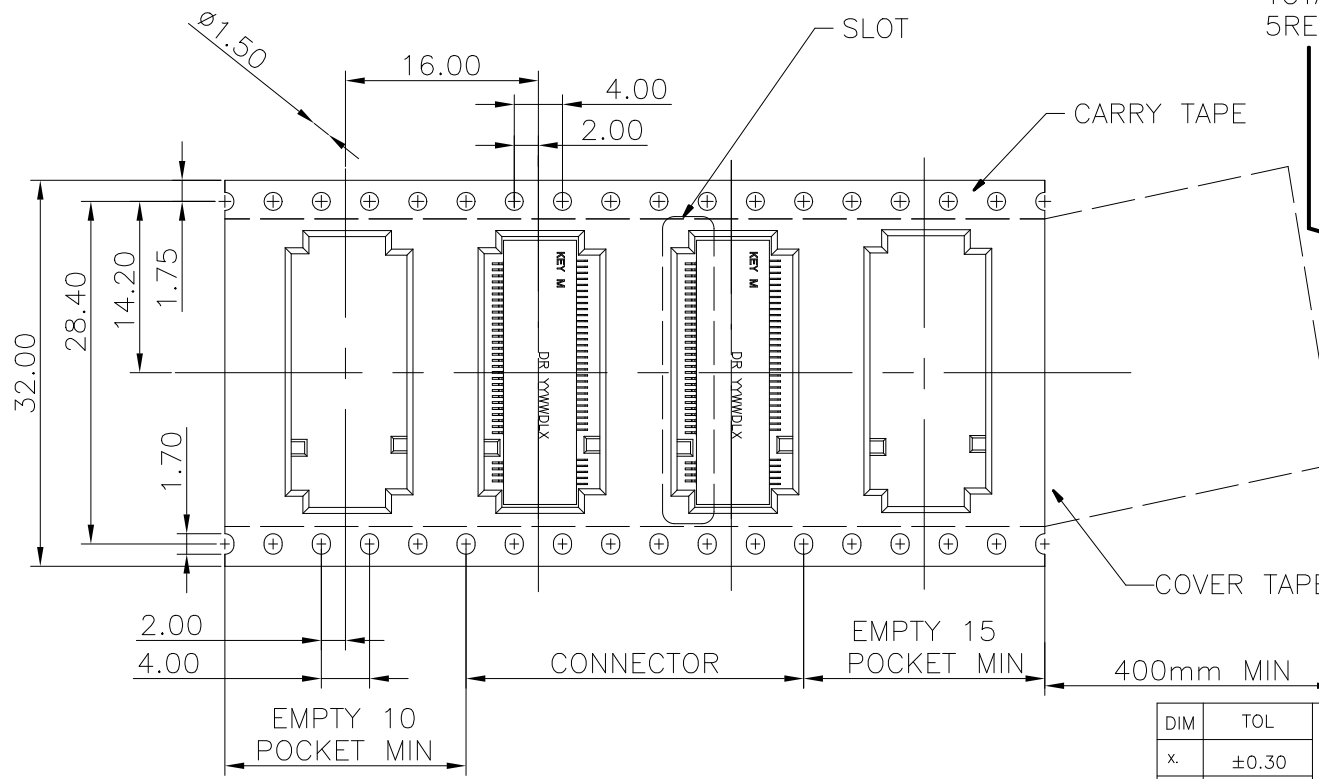
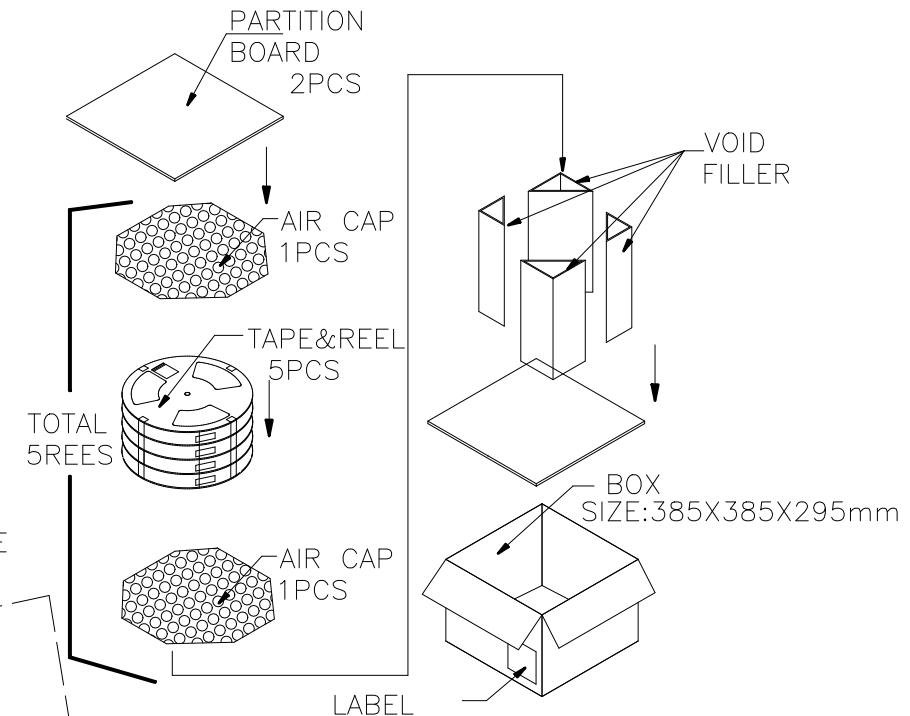
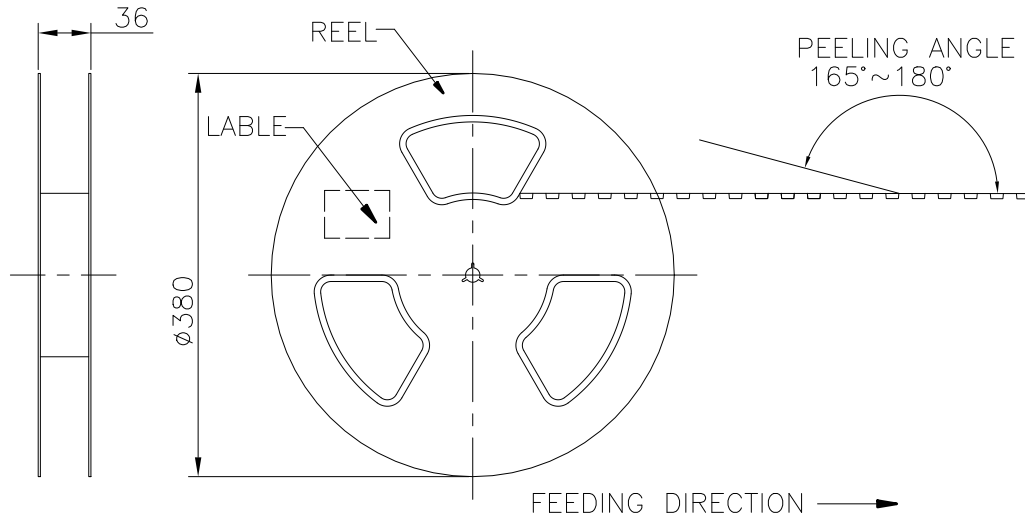
REV. A

# HF

Halogen Free

EMBOSS WIDTH 32mm, SLOT BACKWARD FOR 562119-0XXH0112

REV.	ECN NO.	LOCATION	DESCRIPTION	DATE	DESIGN
A			INITIAL RELEASE	2023.10.23	Sid Guo



1500	5	7500
PCS/ TAPE	REELS/ BOX	PCS/BOX

DIM	TOL	DIM	TOL
x	±0.30	x	±2°
.x	±0.25	.x	±1°
.xx	±0.15		

**DEREN**  
SHENZHEN DEREN ELECTRONIC CO., LTD

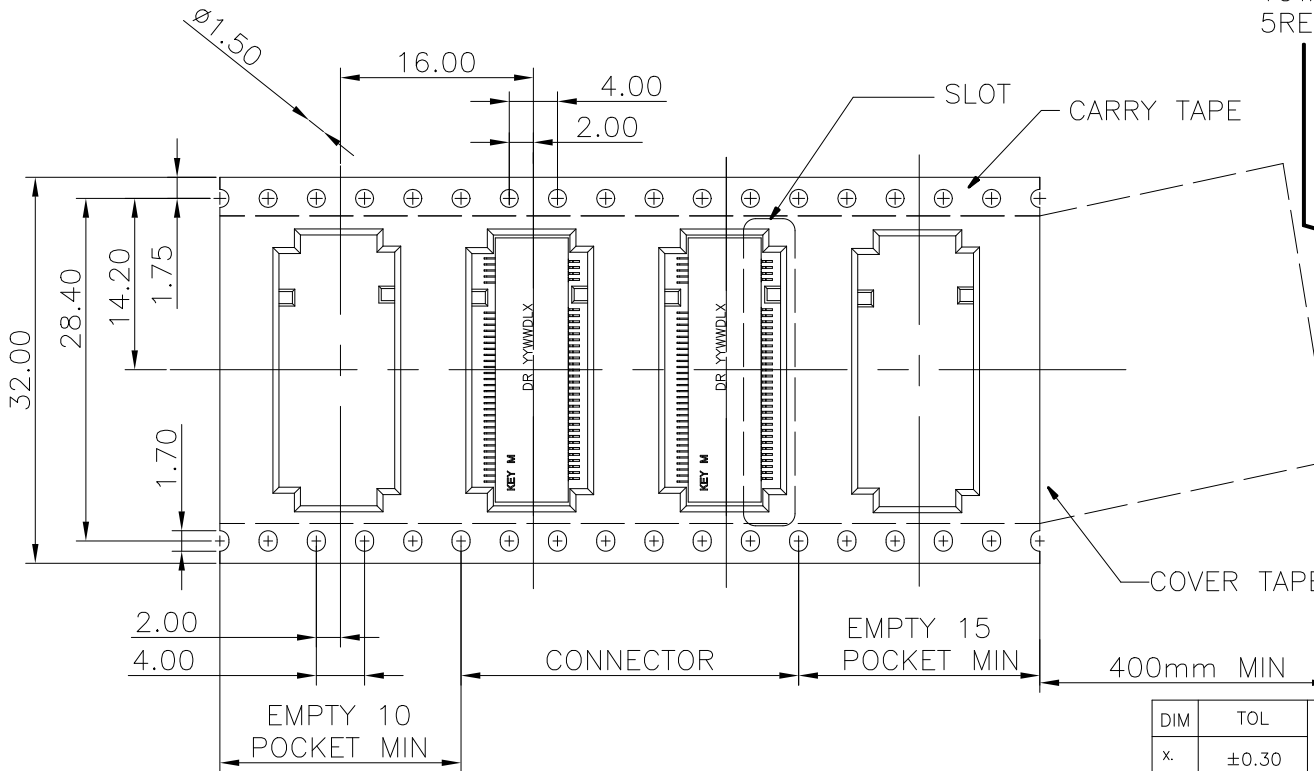
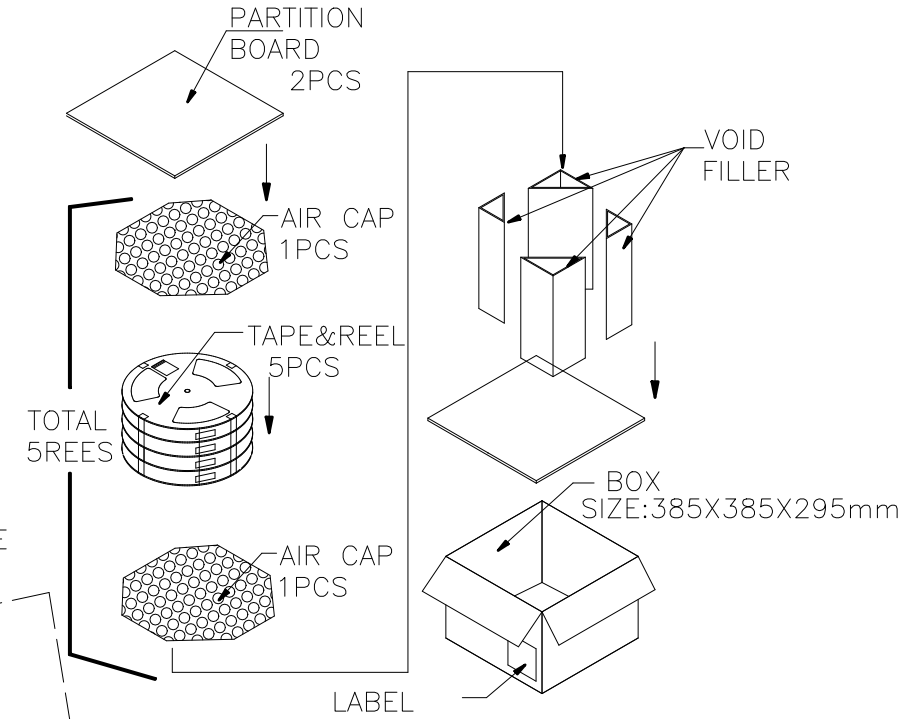
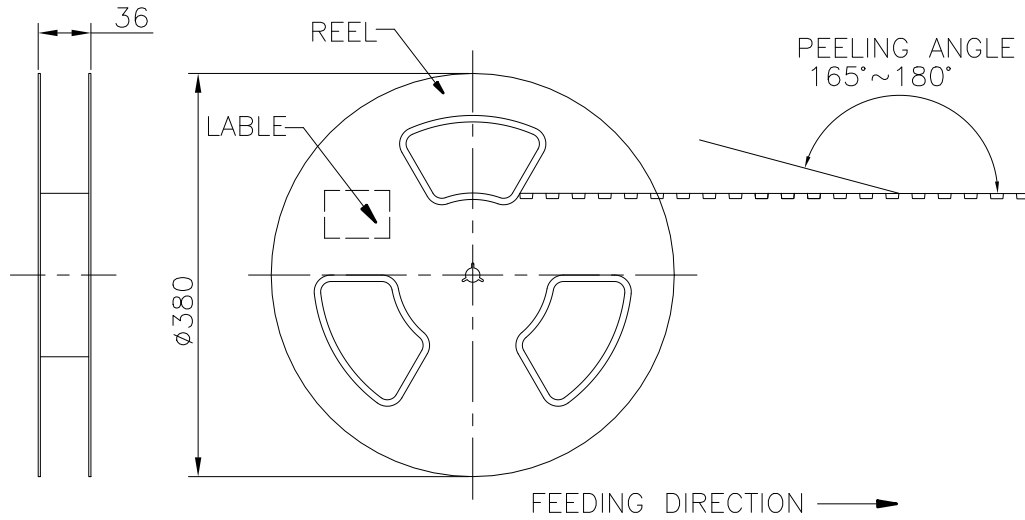
C-DWG:	TY	DATE	TITLE: NGFF 2.0H KEY M GEN4
DESIGN:	Sid Guo	2023.10.23	P/N: 562119-0XXH011X
CHECK:	Mike Chen	2023.10.23	SHEET: 5/6
APPROVAL:	Bill Lin	2023.10.23	SCALE: N/A UNIT: mm

DRAW NO.	SC2208386-7
REV.	A

**HF**  
Halogen Free

EMBOSS WIDTH 32mm, SLOT FORWARD FOR 562119-0XXH0113

REV.	ECN NO.	LOCATION	DESCRIPTION	DATE	DESIGN
A			INITIAL RELEASE	2023.10.23	Sid Guo



1500	5	7500
PCS/TAPE	REELS/BOX	PCS/BOX

DIM	TOL	DIM	TOL
x.	±0.30	x.	±2*
.x	±0.25	.x	±1*
.xx	±0.15		

**DEREN**  
SHENZHEN DEREN ELECTRONIC CO., LTD

C-DWG:	TY	DATE	TITLE: NGFF 2.0H KEY M GEN4
DESIGN:	Sid Guo	2023.10.23	P/N: 562119-0XXH011X
CHECK:	Mike Chen	2023.10.23	SHEET: 6/6
APPROVAL:	Bill Lin	2023.10.23	SCALE: N/A UNIT: mm

DRAW NO. SC2208386-7