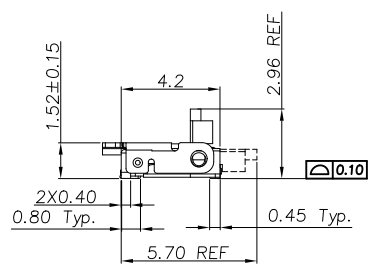
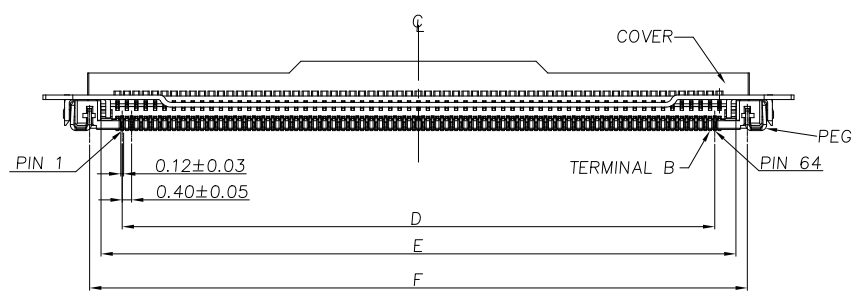
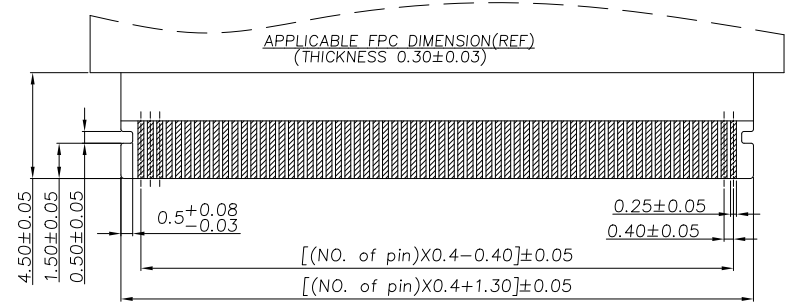
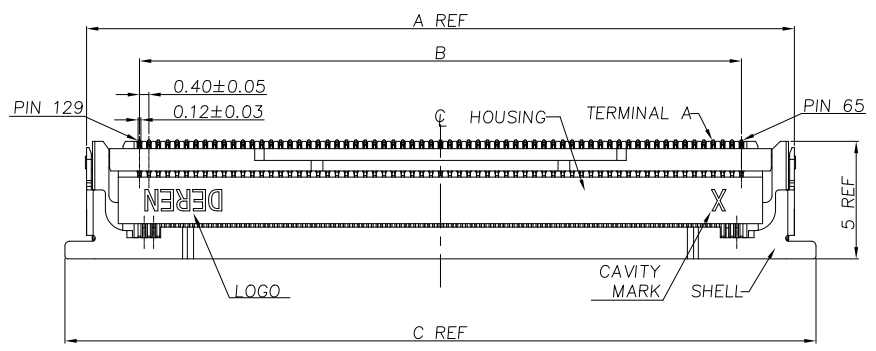


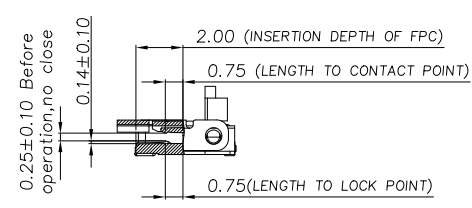
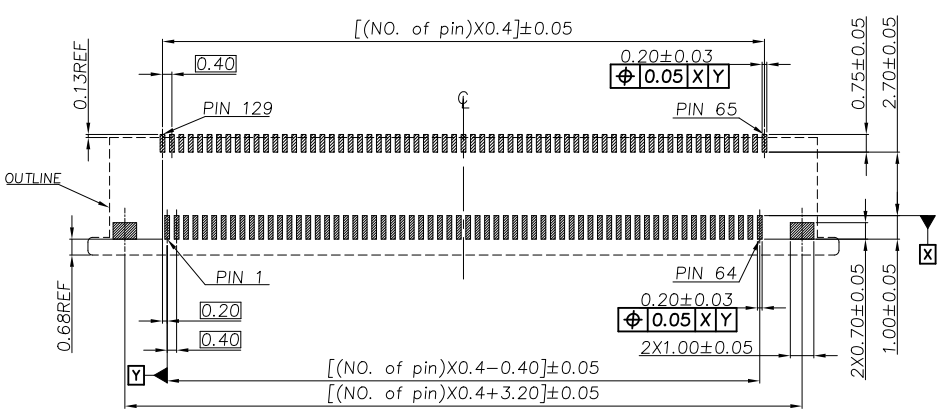
# HF

Halogen Free

REV.	ECN NO.	LOCATION	DESCRIPTION	DATE	DESIGN
X5			Modify the product width and the length of the pcb grounded welding plate	23,07,04	JACKY
X6			Increase the size mark	24,03,15	JACKY



NO.OF PIN	A	B	C	D	E	F
50	24.50	20.00	26.34	19.60	21.40	22.37
64	30.10	25.60	31.94	25.20	27.00	27.97
70	32.50	28.00	34.34	27.60	29.40	30.37

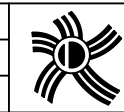


NOTES:  
 PRODUCT MUST MEET CONTROLLED SUBSTANCES SPEC.  
 DEREN PER WI-PB-S-010  
 1. MATERIAL  
 HOUSING: HEAT RESISTANCE, UL94V-0 ,NATURAL.  
 COVER: HEAT RESISTANCE, UL94V-0 ,BLACK.  
 TERMINAL: COPPER ALLOY  
 PEG: COPPER ALLOY  
 SHELL: STAINLESS  
 2. ELECTRICAL CHARACTERISTIC  
 2.1 VOLTAGE RATING: AC/DC 30V  
 2.2 CURRENT RATING: 0.2A  
 2.3 CONTACT RESISTANCE: 50mΩ MAX (INITIAL)  
 2.4 INSULATOR RESISTANCE: 50MΩ MIN  
 2.5 DIELECTRIC WITHSTANDING VOLTAGE:  
 100V AC RMS FOR 1 MINUTE  
 3. OPERATING TEMPERATURE: -20°C TO +85°C  
 4. PART NUMBER: 56\*\*BC-\*\*\*H

WATER CODE:  
 001~ZZZ  
 NO. OF PIN  
 1H: 50PIN  
 1Y: 64PIN  
 24: 70PIN

RECOMMENDED PCB LAYOUT

DIM	TOL	DIM	TOL
X.	±0.30	X.	±2'
.X	±0.25	.X	±1'
.XX	±0.20		



**DEREN**  
 SHENZHEN DEREN ELECTRONIC CO., LTD

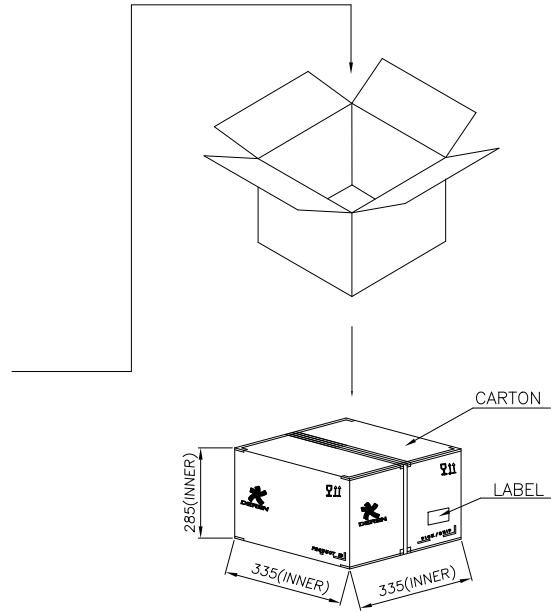
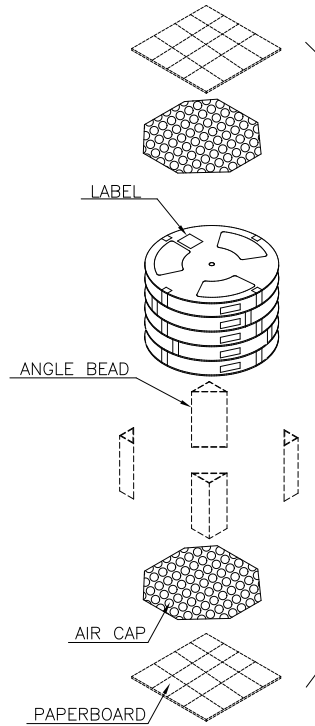
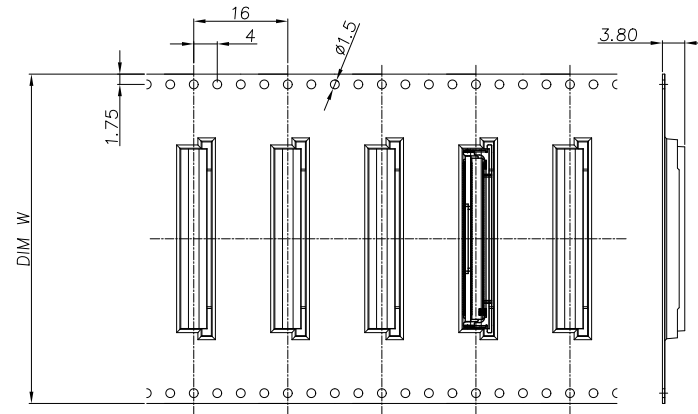
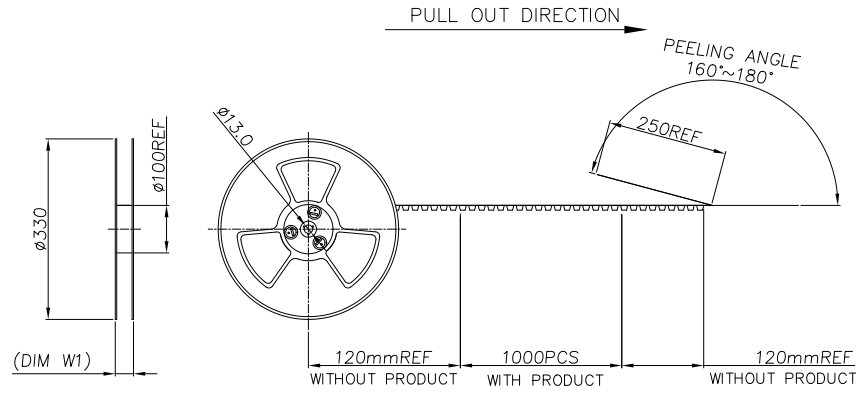
DRAW NO.  
 SC2208035-1

C-DWG:	I	DATE
DESIGN:	JACKY	24,03,15
CHECK:		
APPROVAL:		

TITLE:	FPC/FFC P=0.4 H=1.52mm R/A SMT BACK FLIP TYPE	
P/N:	56**BC-***H	
SHEET:	1/2	
SCALE:	N/A	UNIT: mm

# HF


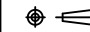
Halogen Free



REV.	ECN NO.	LOCATION	DESCRIPTION	DATE	DESIGN
X5			Modify the product width and the length of the pcb grounded welding plate	23,07,04	JACKY
X6			Increase the size mark	24,03,15	JACKY

- NOTES:
- MATERIAL: CARRIER TAPE: PET; COLOR: CLEAR  
REEL: PS; COLOR: BLUE
  - PACKAGE QUANTITY: SEE TABLE

NO.OF PIN	PCS/REEL	REEL/BOX	PCS/BOX	DIM W	DIM W1
50	1000	5	5000	44.5	48.5
64	1000	4	4000	56.4	60.4
70	1000	4	4000	56.4	60.4

DIM	TOL	DIM	TOL	 <b>DEREN</b> SHENZHEN DEREN ELECTRONIC CO., LTD
X.	±0.30	X.	±2°	
.X	±0.25	.X	±1°	C-DWG: I DATE: 24,03,15
.XX	±0.20			DESIGN: JACKY
				CHECK:
				APPROVAL:
				TITLE: FPC/FFC P=0.4 H=1.52mm R/A SMT BACK FLIP TYPE
				P/N: 56**BC-***H
				SHEET: 2/2 
				SCALE: N/A UNIT: mm

DRAW NO.  
SC2208035-1

REV. X6