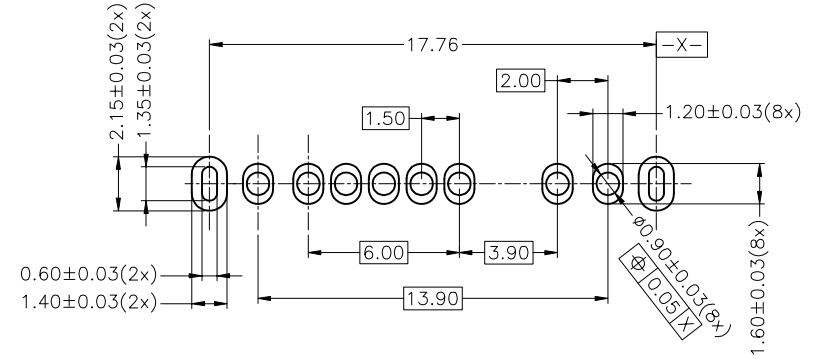
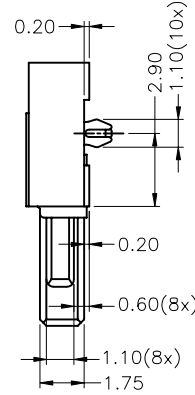
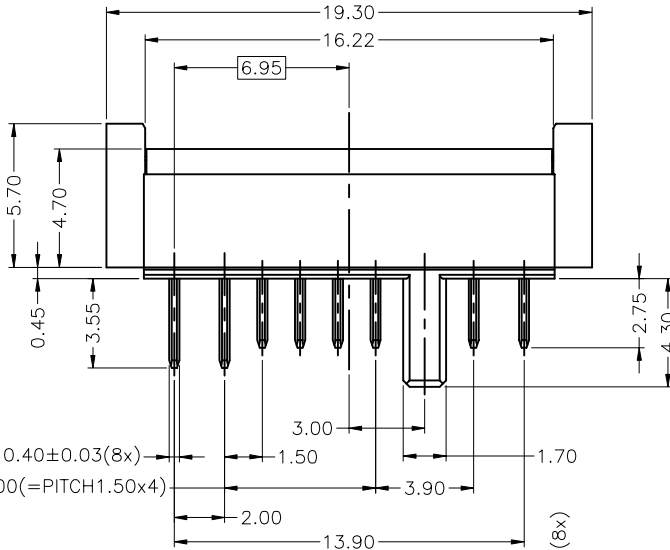
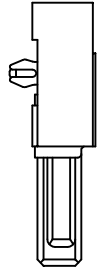


HF
Halogen Free



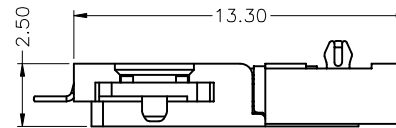
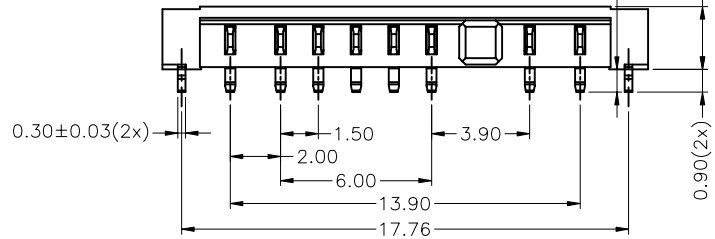
REV.	ECN NO.	LOCATION	DESCRIPTION	DATE	DESIGN
X1			PROPOSAL	08/23'19	DWQ
X2			CHANGE DESIGN	09/29'19	MIKE.CHEN
X3			UPDATE DRAWING	10/08'19	MIKE.CHEN
X4			UPDATE VIEW	07/09'20	MIKE.CHEN



RECOMMENDED P.C.B LAYOUT
TOLERANCE:±0.03mm

NOTES:

- MATERIAL:
 - HOUSING: HIGH TEMPERATURE PLASTIC, UL94V-0; COLOR: BLACK
 - COVER: HIGH TEMPERATURE PLASTIC, UL94V-0; COLOR: BLACK
 - CONTACT: COPPER ALLOY T=0.40
 - PEG: COPPER ALLOY T=0.30
- FINISH:
 - CONTACT:
 - Au PLATING(SEE TABLE) ON CONTACT AREA.
 - 50u"MIN. MATTE TIN PLATING ON SOLDER TAIL AREA.
 - 50u"MIN. NICKEL UNDERPLATING OVERALL.
 - PEG:
 - 50u"MIN. MATTE TIN PLATING ON SOLDER TAIL AREA.
 - 50u"MIN. NICKEL UNDERPLATING OVERALL.
- ELECTRONICAL CHARACTERISTICS:
 - LOW LEVER CONTACT RESISTANCE:20m OHMS Max.(INITIAL)
 - VOLTAGE RATING: 30V DC
 - CURRENT RATING: 7.0A/PER PIN
- MECHANICAL CHARACTERISTICS:
 - DURABILITY: 5000 CYCLES
- OPERATING TEMPERATURE: -40°C TO 85°C

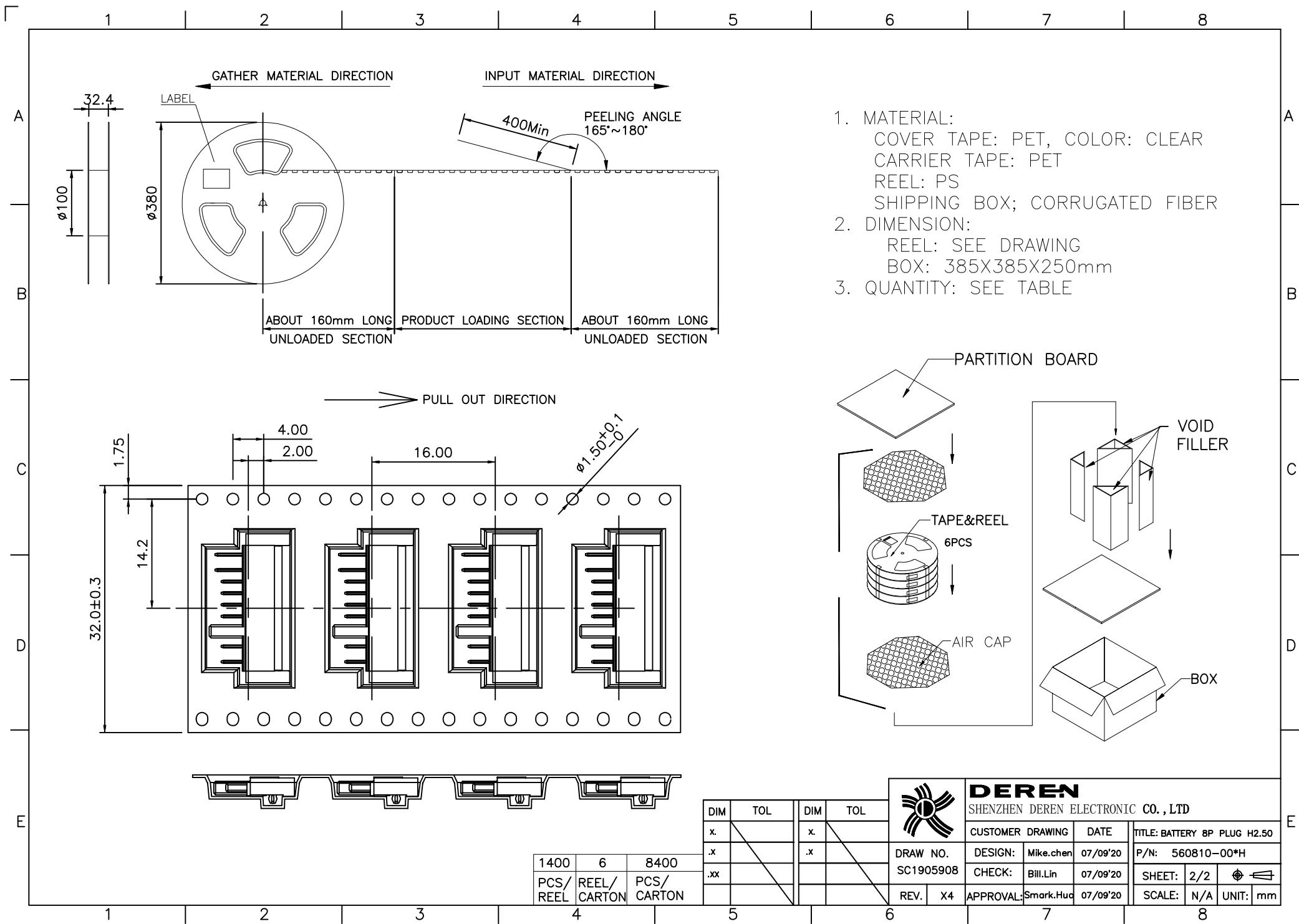


MATING VIEW

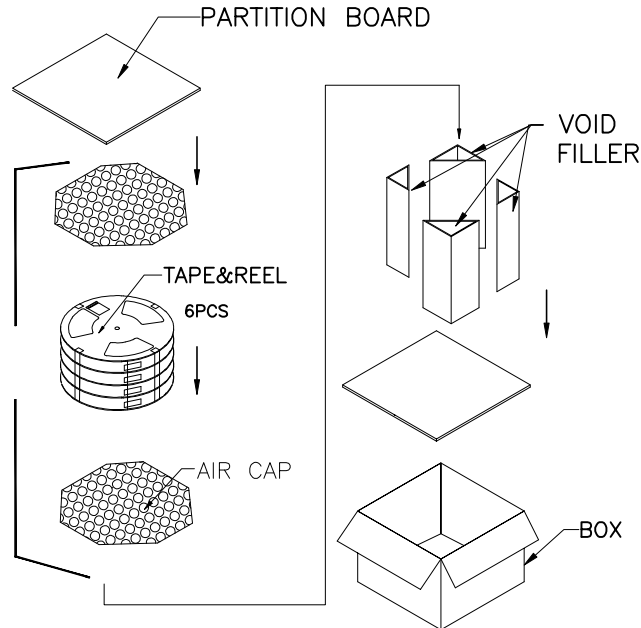
8u"	560810-002H
5u"	560810-001H
Au PLATING	PART NUMBER

DIM	TOL	DIM	TOL
.x	±0.30	.x	±2'
.x	±0.20	.x	±1'
.xx	±0.15		

	DEREN SHENZHEN DEREN ELECTRONIC CO., LTD		
	CUSTOMER DRAWING	DATE	TITLE: BATTERY 8P PLUG H2.50
DRAW NO. SC1905908	DESIGN: Mike.chen	07/09'20	P/N: 560810-00*H
	CHECK: Bill.Lin	07/09'20	SHEET: 1/2
REV. X4	APPROVAL: Smark.Huo	07/09'20	SCALE: 1:1 UNIT: mm



- MATERIAL:
COVER TAPE: PET, COLOR: CLEAR
CARRIER TAPE: PET
REEL: PS
SHIPPING BOX; CORRUGATED FIBER
- DIMENSION:
REEL: SEE DRAWING
BOX: 385X385X250mm
- QUANTITY: SEE TABLE



1400	6	8400
PCS/ REEL	REEL/ CARTON	PCS/ CARTON

DIM	TOL	DIM	TOL
x		x	
.x		.x	
.xx			

	DEREN		
	SHENZHEN DEREN ELECTRONIC CO., LTD		
	CUSTOMER DRAWING	DATE	TITLE: BATTERY 8P PLUG H2.50
	DESIGN: Mike.chen	07/09'20	P/N: 560810-00*H
	CHECK: Bill.Lin	07/09'20	SHEET: 2/2
REV. X4	APPROVAL: Smark.Huo	07/09'20	SCALE: N/A
			UNIT: mm